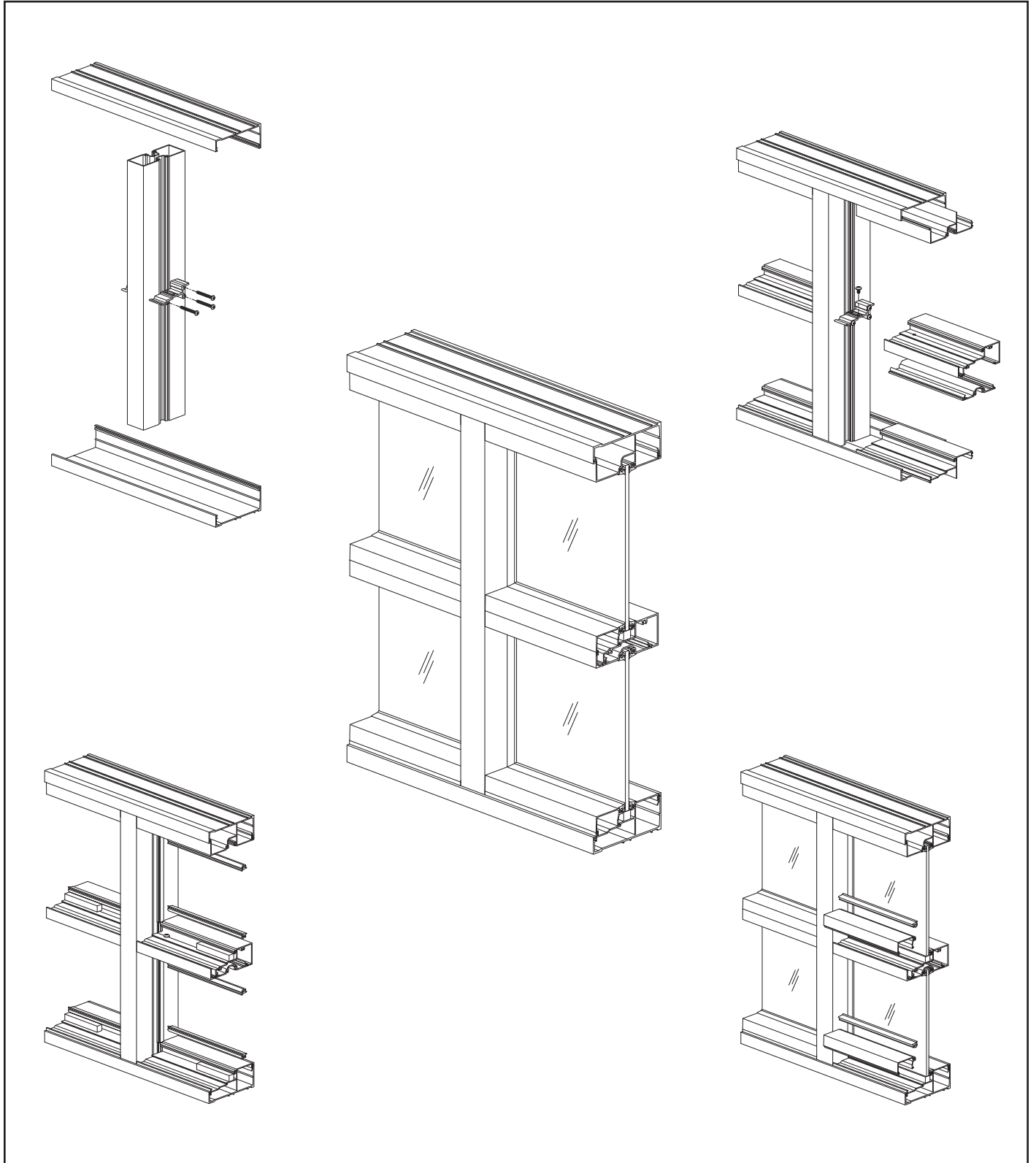


YES 45 CS/CI Storefront Can System



Installation Manual

TABLE OF CONTENTS

Installation Notes Page ii

PARTS DESCRIPTION

Framing Members Page 1 to 4
Accessories Page 5
Fasteners..... Page 6

FRAME FABRICATION

Fabricate Head & Sill Receptors Pages 7 & 8
Fabricate Weep Holes in Sill Receptors Page 8
Fabricate Anchor Holes in Head & Sill Receptors Page 9
Fabricate Vertical Mullions Pages 9 & 10
Fabricate Head & Sill Fillers Page 11
Fabricate Intermediate Horizontals..... Pages 11 & 12
Fabricate Glass Stops & Glazing Pocket Fillers Page 12

FRAME INSTALLATION

Install Head & Sill Receptor End Dams Page 13
Install Head & Sill Receptors Pages 14 to 16
Install Jamb Mullions Page 16
Install Intermediate Vertical Mullions Page 17
Install Intermediate Horizontals Pages 18 & 19
Install Water Deflectors Page 20
Apply Internal Sealant Page 21
Apply Perimeter Sealant..... Page 21



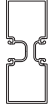
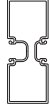
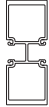
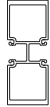


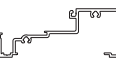
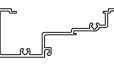


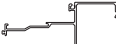







GLAZING

Install Glazing Adaptors..... Page 22
Install Glazing Gaskets..... Page 23
Install Glass Page 24
Install Anti-walk Blocks Page 26
Install Glass Stops..... Page 26





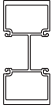



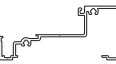











Installation Notes

1. Do not drop, roll or drag boxes of aluminum framing. Move and stack boxes with proper support to prevent distortion. If fork lifts are used be especially careful about striking the boxes when lifting or moving.
2. Store in a dry, out of the way area. If rain exposure, condensation or any water contact is likely, then all packaging material should be removed. Wet packaging materials will discolor and may stain aluminum finishes and paints.
3. All materials should be checked for quality and quantity upon receipt, YKK AP must be notified immediately of any discrepancies in shipment. Check to make sure that you have the required shims, sealants, supplies and tools necessary for the installation.
4. Carefully check the openings and surrounding conditions that will receive your material. Remember, if the construction is not per the construction documents, it is your responsibility to notify the general contractor in writing. Any discrepancies must be brought to the general contractor's attention before you proceed with the installation.
5. Gather your shop drawings, materials, packing list, and this installation manual. Carefully review parts location, the sequence it goes therein, when you glaze it and how you seal it. Installation instructions are of a general nature and may not cover every condition you will encounter. The shop drawings and/or installation manuals were prepared specifically for the product.
6. Any material substitutions must be of equal or greater quality.
7. Make certain that material samples have been sent for compatibility testing for all manufacturer's sealants involved. Make certain sealants have been installed in strict accordance with the manufacturer's recommendations and specifications.
8. Remember to isolate, in an approved manner, all aluminum from uncured masonry or other incompatible materials.
9. System-to-structure fasteners are not supplied by YKK AP. Fasteners called out on shop drawings are to indicate minimum sizes for design loading.
10. Entrances are to be installed plumb, square, level and true.
11. If any questions arise concerning YKK AP products or their installation, contact YKK AP for clarification before proceeding.
12. YKK AP storefront and/or curtain wall framing is typically completed before drywall, flooring and other products which may still be in process. Take the extra time to wrap and protect the work produced.
13. Cutting tolerances are plus zero (0"), minus one thirty second (-1/32") unless otherwise noted.
14. Check our website, www.ykkap.com, for the latest installation manual update prior to commencing work.

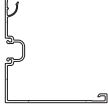
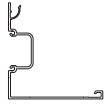
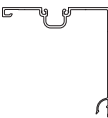
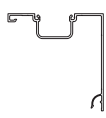
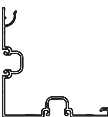
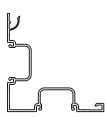
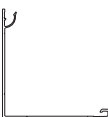

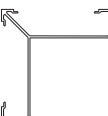
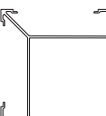
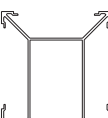
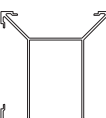






YES 45 CS FRAMING MEMBERS (1-3/4" x 4-1/2")

YES 45 CS (1/4" Outside Glazing)			YES 45 CS (1/4" Inside Glazing)		
	Jamb	E9-1001		Jamb	E9-1001
	Vertical	E9-1071		Vertical	E9-1071
	Heavy Duty Vertical	E9-1078		Heavy Duty Vertical	E9-1078
	Head Filler	E9-1073		Head Filler	E9-1074
	Horizontal	E9-1069		Horizontal	E9-1069
	Shallow Pocket Filler	E9-1002		Shallow Pocket Filler	E9-1002
	Sill Filler	E9-1074		Sill Filler	E9-1073
	Glass Stop	E9-1005		Glass Stop	E9-1005
	Head/Sill Receptor	E9-1072		Head/Sill Receptor	E9-1072
	Heavy Duty Head/Sill Receptor	E9-1080		Heavy Duty Head/Sill Receptor	E9-1080

YES 45 CI FRAMING MEMBERS (2" x 4-1/2")

YES 45 CI (1" Outside Glazing)			YES 45 CI (1" Inside Glazing)		
	Jamb	E9-1011		Jamb	E9-1011
	Vertical	E9-1075		Vertical	E9-1075
	Heavy Duty Vertical	E9-1079		Heavy Duty Vertical	E9-1079
	Head Filler	E9-1076		Head Filler	E9-1077
	Horizontal	E9-1089		Horizontal	E9-1089
	Shallow Pocket Filler	E9-1012		Shallow Pocket Filler	E9-1012
	Sill Filler	E9-1077		Sill Filler	E9-1076
	Glass Stop	E9-1015		Glass Stop	E9-1015
	Head/Sill Receptor	E9-1072		Head/Sill Receptor	E9-1072
	Heavy Duty Head/Sill Receptor	E9-1080		Heavy Duty Head/Sill Receptor	E9-1080

CORNER FRAMING MEMBERS

YES 45 CS (1/4" Outside & Inside Glazing)			YES 45 CI (1" Outside & Inside Glazing)		
	Two Piece Corner Post Use with self, E9-1045, E9-1046 & E9-1050	E9-1044		Two Piece Corner Post Use with self, E9-1048, E9-1049 & E9-1050	E9-1047
	Two Piece Corner Post Use with self, E9-1044, E9-1046 & E9-1050	E9-1045		Two Piece Corner Post Use with self, E9-1047, E9-1049 & E9-1050	E9-1048
	Two Piece Corner Post Use with self, E9-1044, E9-1045 & E9-1050	E9-1046		Two Piece Corner Post Use with self, E9-1047, E9-1048 & E9-1050	E9-1049
	Two Piece Corner Post Use with self, E9-1044, E9-1045 & E9-1046	E9-1050		Two Piece Corner Post Use with self, E9-1047, E9-1048 & E9-1049	E9-1050
	90° Two-Way Corner Post Use with E9-1009	E9-1021		90° Two-Way Corner Post Use with E9-1019	E9-1021
	90° Three-Way Corner Post Use with E9-1009	E9-1022		90° Three-Way Corner Post Use with E9-1019	E9-1022
	Deep Pocket Filler	E9-1009		Deep Pocket Filler	E9-1019
	Flat Filler	E9-1038		Glazing Adaptor For 3/16", 1/4", 5/16", & 3/8" glazing	E9-1040
				Glazing Adaptor For 5/8" and 3/4" glazing	E9-1039
				Flat Filler	E9-1038




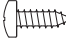
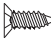



DOOR FRAMING MEMBERS

YES 45 CS (1/4" Outside & Inside Glazing)			YES 45 CI (1" Outside & Inside Glazing)		
	Single Acting Door Head/Transom Bar Elastomer weathering E2-0051 included	AS-0402		Single Acting Door Head/Transom Bar Elastomer weathering E2-0051 included	AS-0412
	Double Acting Door Head/Transom Bar Pile weathering E2-0062 included	AS-0425		Double Acting Door Head/Transom Bar Pile weathering E2-0062 included	AS-0426
	Single Acting Door Jamb Elastomer weathering E2-0051 included	AS-0421		Single Acting Door Jamb Elastomer weathering E2-0051 included	AS-0411
	Double Acting Door Jamb	E9-0422		Double Acting Door Jamb	E9-0415
	Intermediate Door Jamb	E9-0410		Intermediate Door Jamb	E9-9312
	Transom Glass Stop For 1/4" glazing	E9-0403		Transom Glass Stop For 1" glazing	E9-0413
	Transom Glazing Pocket For 1/4" glazing	E9-0434		Transom Glazing Pocket For 1" glazing	E9-0435
	Door Stop O/P Assembly Elastomer weathering E2-0051 included	AS-0409		Door Stop O/P Assembly Elastomer weathering E2-0051 included	AS-0409
	Door Stop Base Used with AS-0409	E9-1113		Door Stop Base Used with AS-0409	E9-1113
	Sash Base Use with E9-0403	E9-0408		Sash Base Use with E9-0413	E9-0408
	Threshold 1/2" x 4"	E9-0407		Threshold 1/2" x 4"	E9-0407

YES 45 CS/CI ACCESSORIES

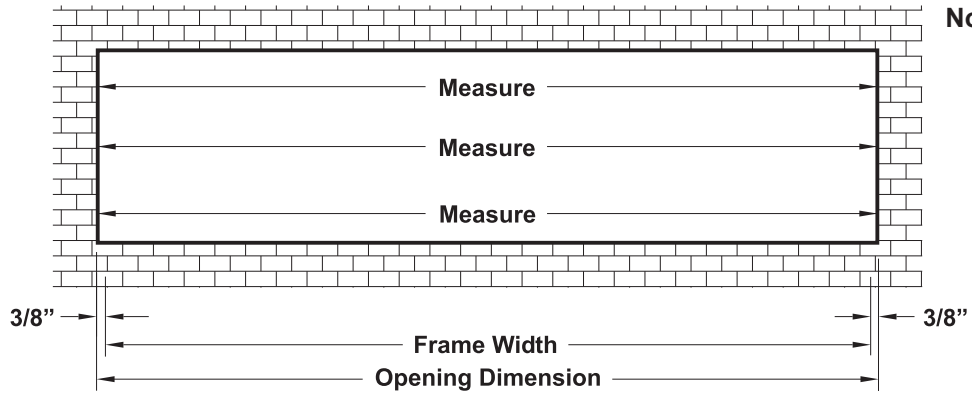
	Shear Block For Intermediate Horizontal 1/4" Glazing (YES 45 CS)	E1-1012		Setting Block For Transom Bar 1" Glazing (YES 45 CI)	E2-0056
	Shear Block For Intermediate Horizontal For 1" Glazing (YES 45 CI)	E1-1013		Setting Block For 1" Glazing (YES 45 CI) Inside Glazed Horizontal	E2-0177
	Shear Block For Transom Bar AS-0425 & AS-0426	E1-0317		Anti-Walk Block For Deep Pocket (YES 45 CI)	E2-0153
	End Dam For E9-1072 & E9-1080	E1-1048		Steel Reinforcing For 1/4" Glazing (YES 45 CS)	E1-0155
	Flat Filler Use at all Anchor Locations	E1-1054		Steel Reinforcing For 1" Glazing (YES 45 CI)	E1-0156
	Water Deflector For 1" Glazing (YES 45 CI)	E2-0047		Silicone Splice Sheet For E9-1072 & E9-1080	E2-0070
	Water Deflector For 1/4" Glazing (YES 45 CS)	E2-0048		Glazing Gasket	E2-0052
	Setting Block For 1/4" Glazing (YES 45 CS)	E2-0019		Glazing Gasket	E2-0053
	Setting Block For 1" glazing (YES 45 CI)	E2-0020		Glazing Gasket	E2-0064
	Setting Block For 1/4" Glazing (YES 45 CS) Inside Glazed Horizontal	E2-0046			

YES 45 CS/CI FASTENERS

	<p>#8 x 1/4" FHMS Zinc Plated Steel For attachment of Steel Reinforcing (YES 45 CI)</p>	<p>FM-0804</p>		<p>#12 x 3/8" PHSMS Type B, Zinc Plated Steel For attachment of Horizontal to Shear Block</p>	<p>PB-1206</p>
	<p>#8 x 3/8" FHMS Zinc Plated Steel For attachment of Steel Reinforcing (YES 45 CS)</p>	<p>FM-0806</p>		<p>#12 x 5/8" PHSMS Type AB, Zinc Plated Steel For attachment of Horizontal to Shear Block</p>	<p>PC-1210</p>
	<p>#10 x 1/2" FHSMS Type AB, Zinc Plated Steel For attachment of Horizontal to Shear Block (E1-0317)</p>	<p>FC-1008</p>		<p>#10 x 1-3/4" PHSMS Type AB, Zinc Plated Steel For attachment of Shear Block to Vertical</p>	<p>PC-1028</p>
	<p>#10 x 3/8" PHSMS Type AB, Zinc Plated Steel For attachment of End Dam</p>	<p>PC-1006</p>		<p>#12 x 1-3/4" PHSMS Type AB, Zinc Plated Steel For attachment of Shear Block (E1-0317) to Vertical</p>	<p>PC-1228</p>

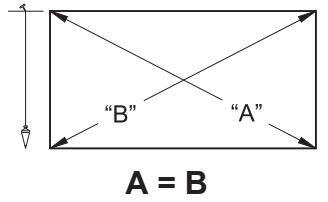
FRAME FABRICATION

STEP 1
FABRICATE HEAD & SILL RECEPTORS



Detail 1

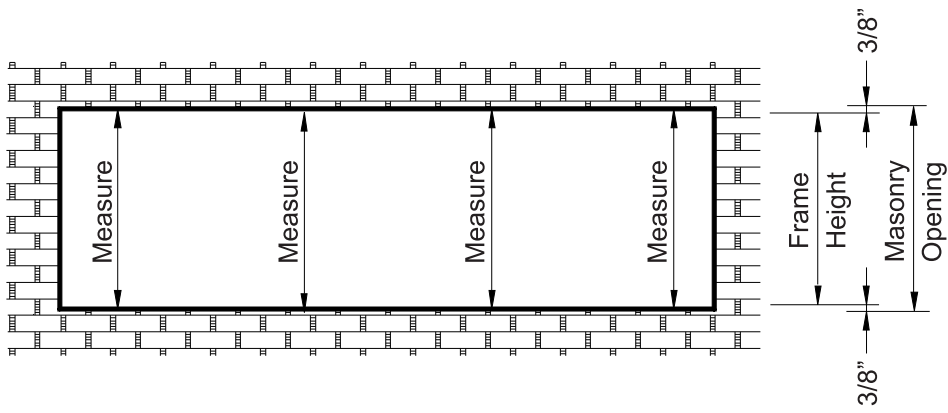
Note: Check opening for square-ness and plumb at both ends. Units must be installed in a true rectangle.



- Measure the width of the masonry opening at the top, middle, and bottom.
- Select the smallest dimension measured and subtract 3/4" to determine frame width to be used. See **Detail 1**.

Note: Frame widths over 24'-0" require receptor splice joints every 12 to 15 feet (locations as indicated on the approved shop drawings).

Determine Frame Height:



Detail 2

- Measure the masonry opening height several times along the length of the opening to obtain the smallest vertical dimension.
- Frame height equals the smallest vertical dimension minus(-) 3/4". (Allow 3/8" minimum caulk joint at both the head and the sill.)

See **Detail 2**.

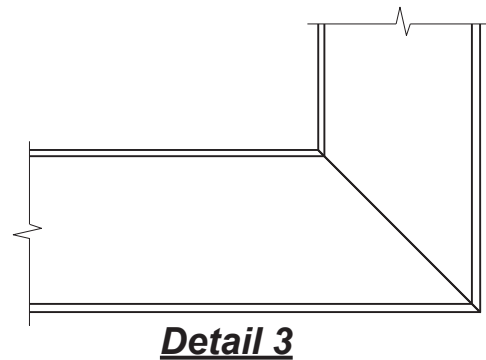
FRAME FABRICATION

**Step 1 (Continued)
FABRICATE HEAD & SILL RECEPTORS**

Receptors at Corners:

If your project has corners, then the head and sill receptors are to be mitered. See **Detail 3**.

Note: 90° corner shown, other angles similar.

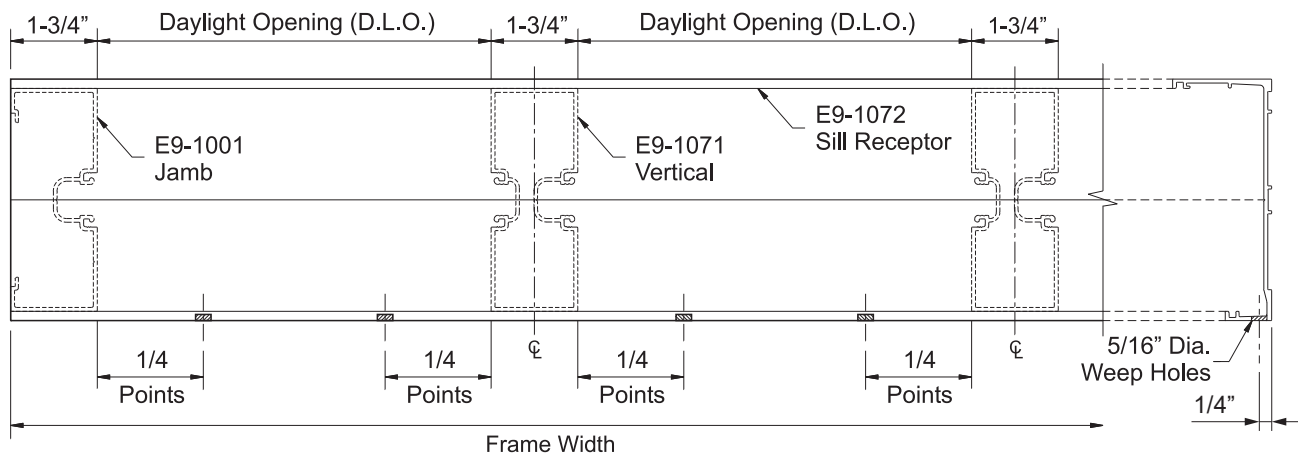


**STEP 2
FABRICATE WEEP HOLES IN SILL RECEPTOR**

-Mark the front face of the sill flashing at quarter points of daylight opening between vertical members as shown below.

-Drill 5/16" diameter weep holes at each location marked.

See **Detail 4**.



Detail 4

FRAME FABRICATION

**STEP 3
FABRICATE ANCHOR HOLES IN HEAD & SILL RECEPTORS**

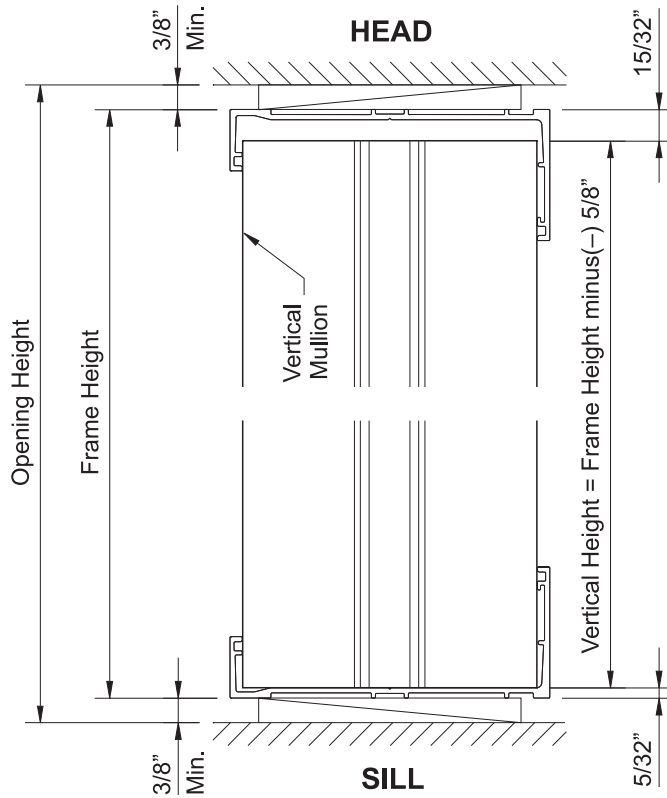
-Drill the holes for the sill flashing and head receptor to the structure a maximum of 4” from each end and then 18” to 24” on center, or per P.E. calculations.

**STEP 4
FABRICATE VERTICAL MULLIONS**

Cut vertical mullions:

- Vertical mullions must be fabricated to fit into the head and sill receptors.
- All verticals must be cut to Frame Height (determined in **Step 1**) minus(-) 5/8”.

See **Detail 5**.



Detail 5

FRAME FABRICATION

STEP 5

FABRICATE VERTICALS FOR SHEAR BLOCK ATTACHMENT

Shear blocks are required to attach intermediate horizontals to vertical and jamb mullions:

E1-1012 for YES 45 CS (1/4" glazing).

E1-1013 for YES 45 CI (1" glazing).

-Refer to shop drawings and mark a line on the side of the vertical at the top of each horizontal.

-Use a short piece of horizontal with a shear block attached as a template.

-Align the glazing pockets and mark the hole locations for the shear block onto the vertical.

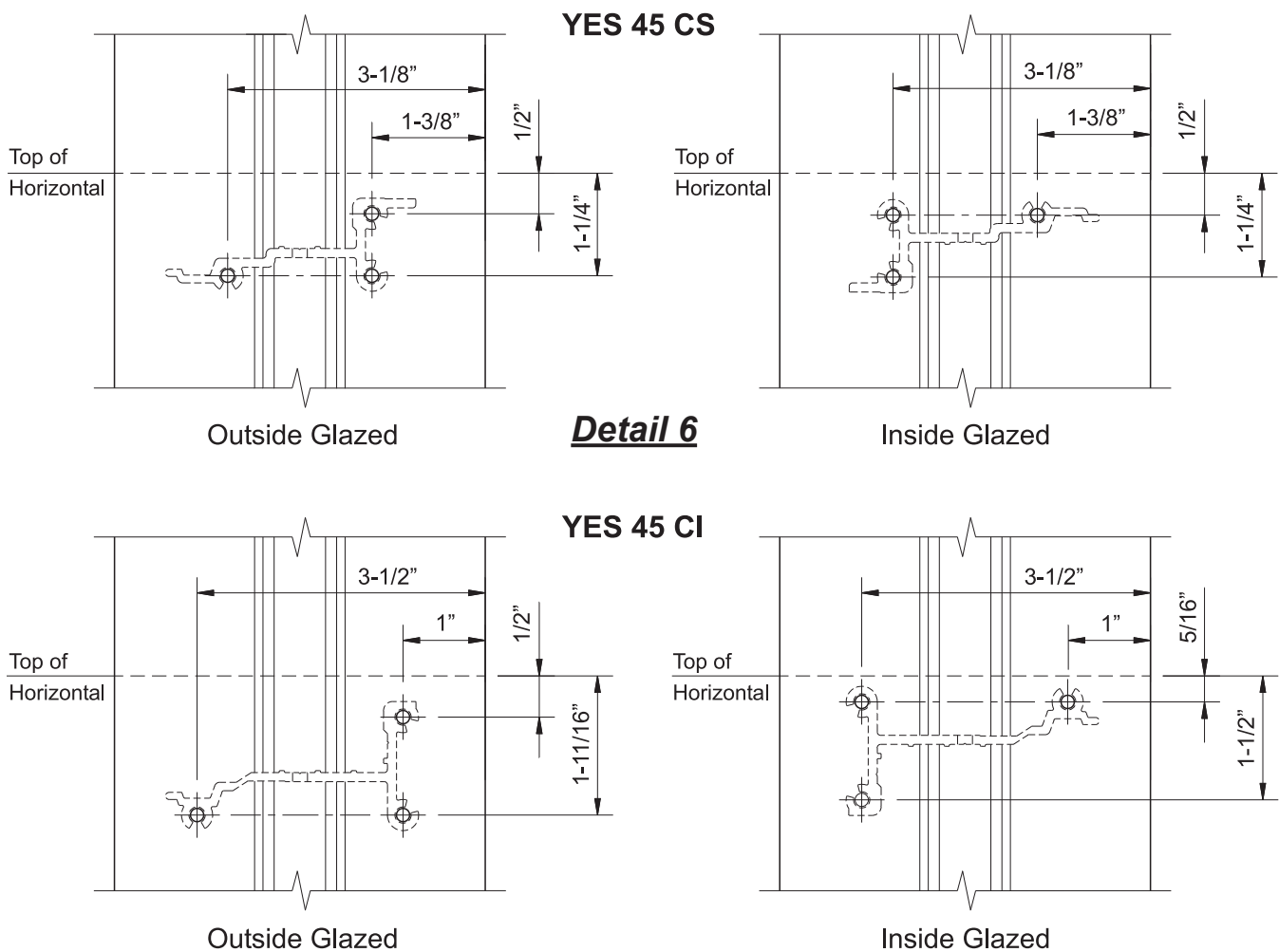
OR

-Layout the location for each shear block as shown below.

-Drill 0.161" diameter (#20 drill bit) holes at each location marked.

-Attach the shear blocks to the verticals using (3) PC-1028 fasteners.

See **Detail 6**.

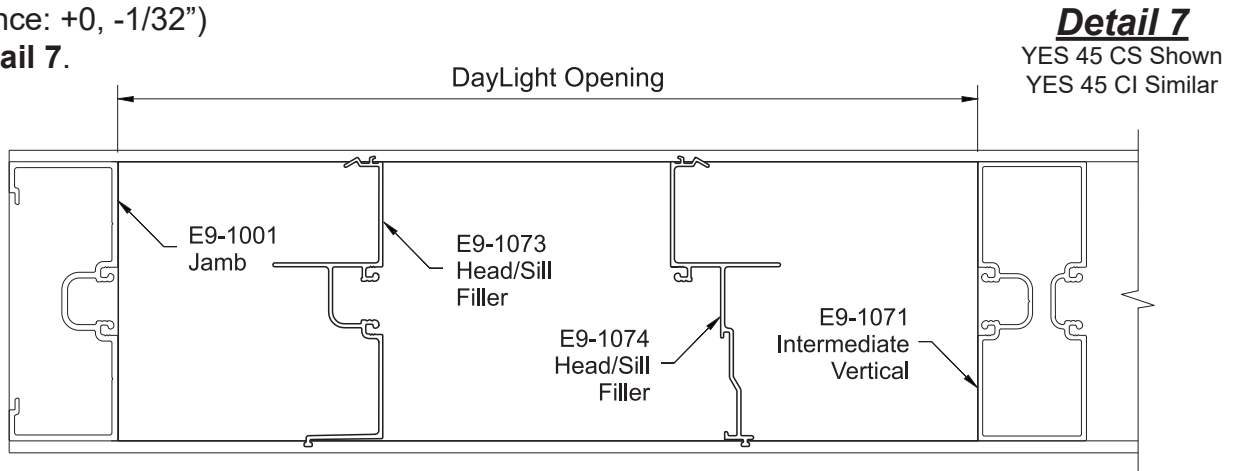


FRAME FABRICATION

**STEP 6
FABRICATE HEAD/SILL FILLERS**

-Cut head and sill fillers to the daylight opening between vertical members.
(Tolerance: +0, -1/32")

See **Detail 7**.



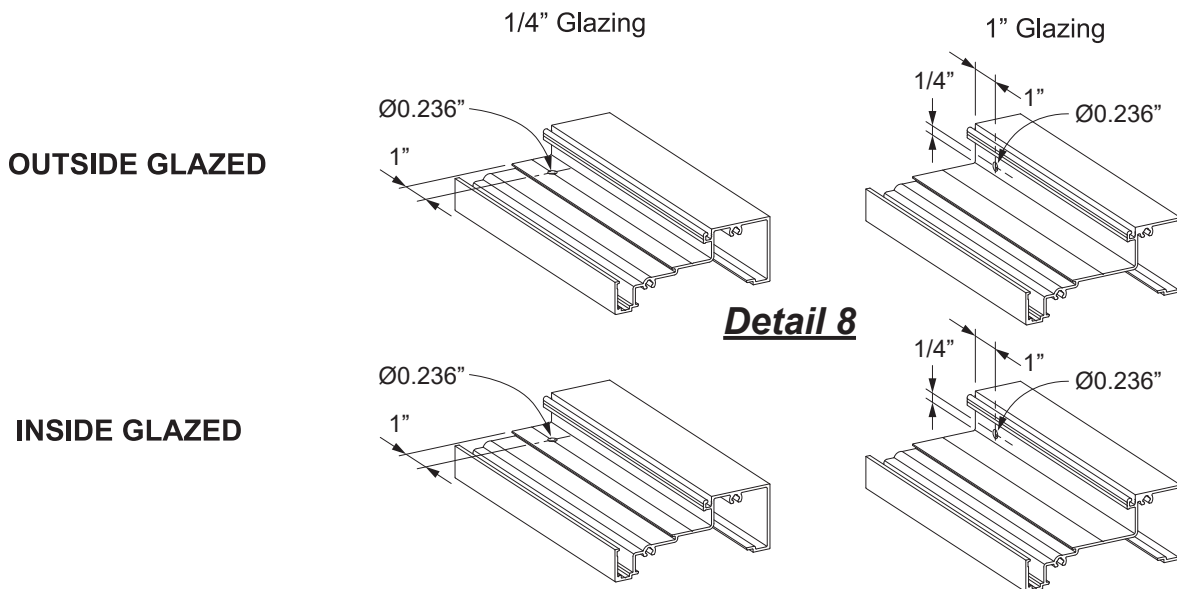
**STEP 7
FABRICATE INTERMEDIATE HORIZONTALS**

-Cut intermediate horizontals to the daylight opening between vertical members.

Additional fabrication is required for attachment of intermediate horizontals to shear blocks.

- For 1/4" glazing: Measure in 1" from each end of the horizontal and mark a hole location on the "V"-Groove of the glazing pocket.
- For 1" glazing: Measure in 1" from each end and up 1/4" from the glazing pocket and mark a hole location.
- Drill a 0.236" diameter (#B drill bit) hole at each location marked.

See **Detail 8**.



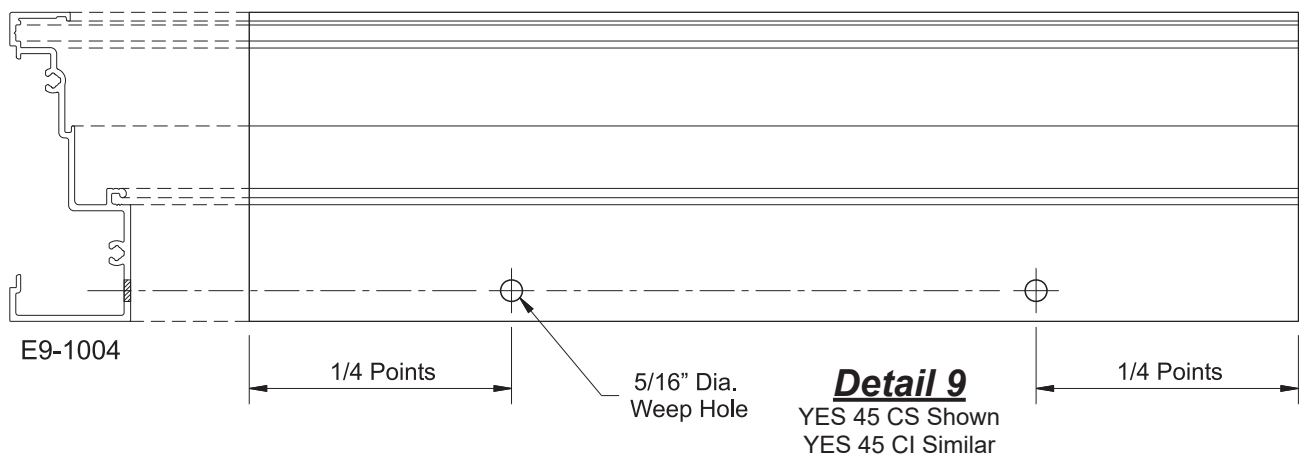
FRAME FABRICATION

**STEP 8
FABRICATE WEEP HOLES
FOR INSIDE GLAZED INTERMEDIATE HORIZONTALS**

Intermediate horizontals that will be glazed from the inside require the fabrication of weep holes.

- Locate the quarter points along the bottom of the horizontal
- Drill 5/16" weep holes at each location.

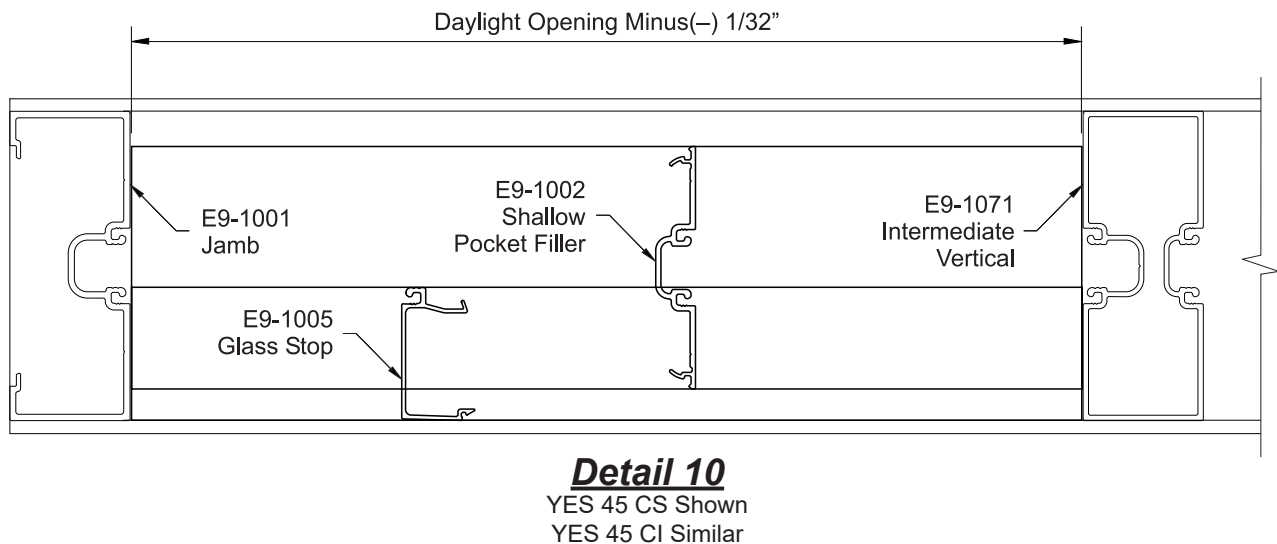
See **Detail 9**.



**STEP 9
FABRICATE GLASS STOPS & GLAZING POCKET FILLERS
FOR INTERMEDIATE HORIZONTALS**

- Cut glass stops for intermediate horizontals and sill fillers to the daylight opening minus(-) 1/32".
- Cut glazing pocket fillers for intermediate horizontals to the daylight opening minus(-) 1/32".

See **Detail 10**.



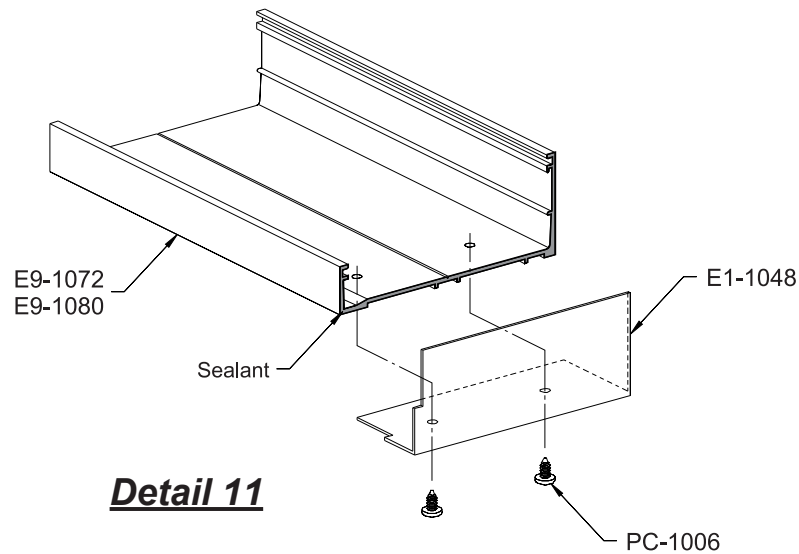
FRAME INSTALLATION

STEP 10
INSTALL HEAD & SILL RECEPTOR END DAMS

End dams are required at each end of head and sill receptors to provide a watertight installation.

- Apply (butter) sealant to the end of the head/sill receptor.
- Center the end dam, E1-1048, with the end of the head/sill receptor. The notched side of the end dam should be aligned with the shorter side of the receptor.
- Drill two 0.161" diameter (#20 drill bit) holes through both end dam and receptor as shown.
- Fasten the end dam to the head/sill receptor using two PC-1006 fasteners.

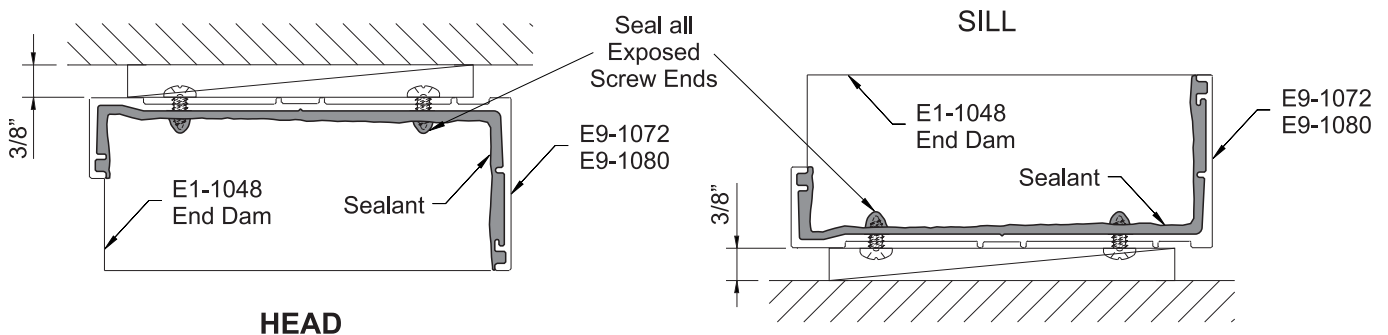
See **Detail 11**.



Detail 11

- Clean all sealant contact surfaces with a cleaner approved by sealant manufacturer.
- Apply and tool sealant to the joint between the end dam and the receptor to create a watertight joint.
- Apply and tool sealant to the fastener ends that penetrate the receptors.

See **Detail 12**.

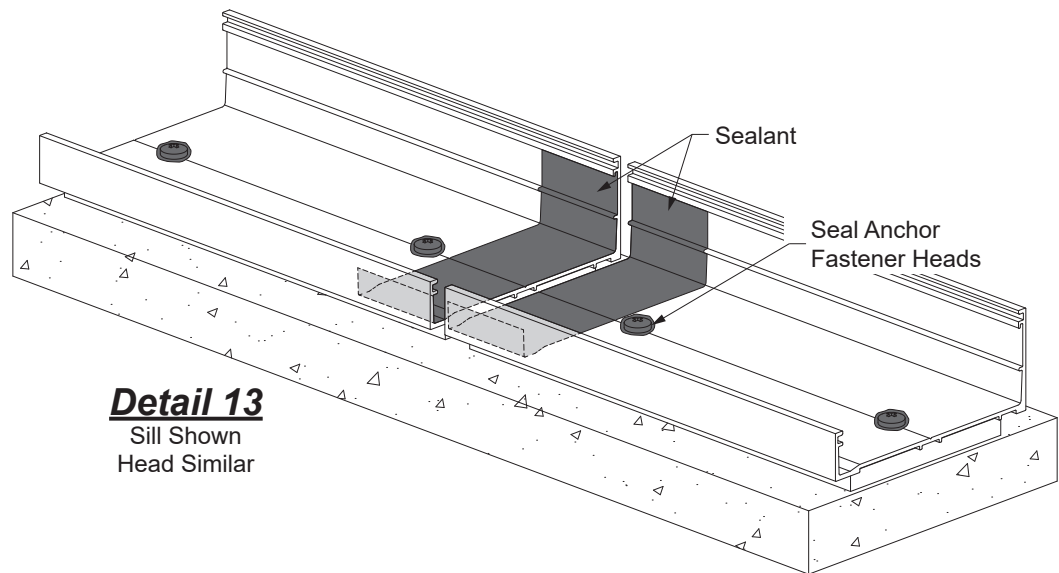


Detail 12

FRAME INSTALLATION

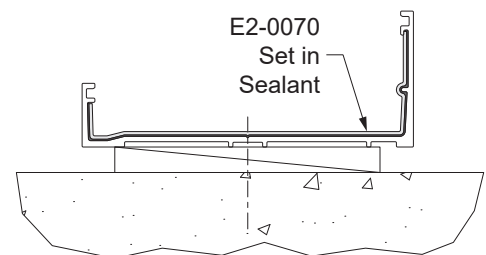
**STEP 11
INSTALL HEAD & SILL RECEPTORS**

- Using building control lines, locate the inside face of the head and sill receptors.
- Check the vertical opening height along the length of each opening and locate the smallest dimension.
- Begin the installation at the smallest opening height and install a minimum 3/8" shim.
- Install anchors as called out on shop drawings or engineering calculations using the anchor holes previously drilled in **Step 3** on **Page 9**. Seal all anchor fastener heads.
- Always install a shim at each anchor location. As anchoring proceeds, shim as necessary to keep receptors parallel and level.
- Leave a 3/8" expansion joint at head and sill receptor splices.
- Bridge the joint between receptor sections with splice sleeve, E2-0070.
 - Clean all sealant contact surfaces using a cleaner approved by sealant manufacturer.
 - Seal the flashing at the splice location as shown in **Detail 13**, before positioning the flashing.



Detail 13
Sill Shown
Head Similar

- Set the Silicone Splice Sleeve into the Silicone Splice Sleeve.
- Tool sealant tight as shown in **Detail 13A**, squeezing the sheet flat.

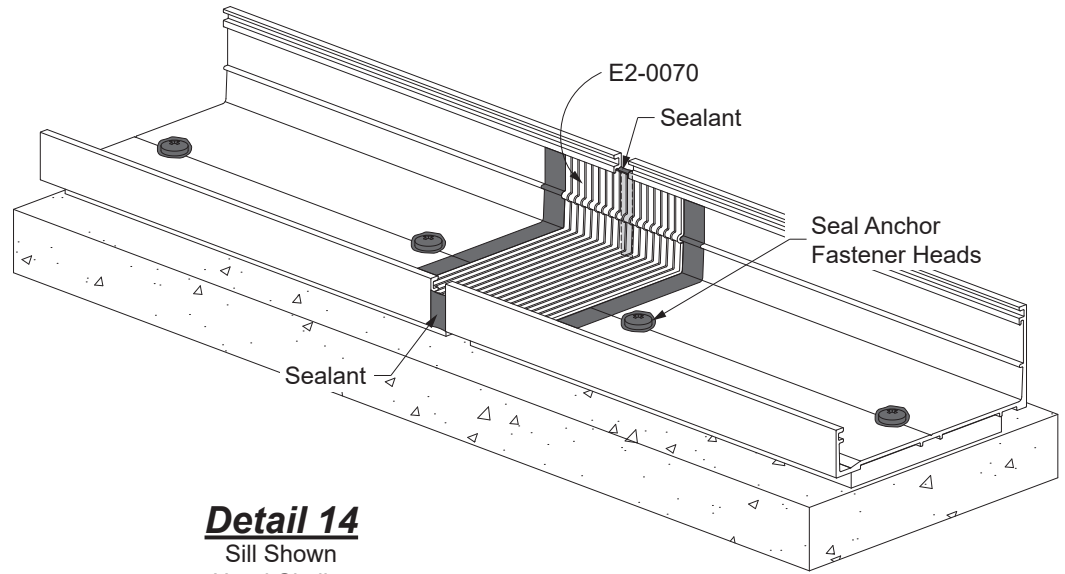


Detail 13A
Sill Shown
Head Similar

FRAME INSTALLATION

**STEP 11 (Continued)
INSTALL HEAD & SILL RECEPTORS**

-Apply and tool sealant to the front and back faces of the joint between the receptors.
See **Detail 14**.



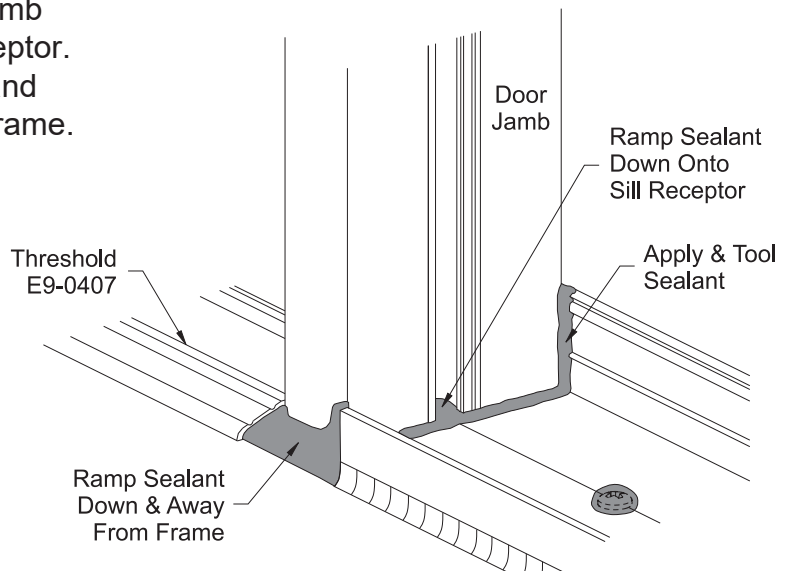
Detail 14
Sill Shown
Head Similar

Sill Receptor at Door Frame:

-The sill receptor terminates at the door jamb.
-Center the door frame with the sill receptor and install the door frame as instructed in the **20D, 35D, & 50D Entrances Installation Manual**.

- Apply and tool sealant to the end of the receptor where it meets the door jamb.
- Apply sealant to the glazing pocket of the jamb and ramp the sealant down onto the sill receptor.
- Apply sealant to the front of the door jamb and ramp the sealant down and away from the frame.

See **Detail 15**.



Detail 15

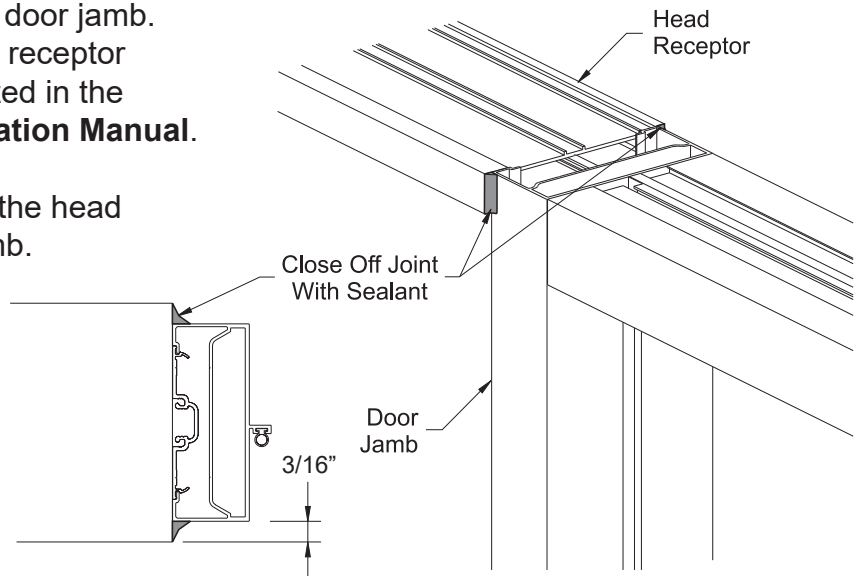
FRAME INSTALLATION

**STEP 11 (Continued)
INSTALL HEAD & SILL RECEPTORS**

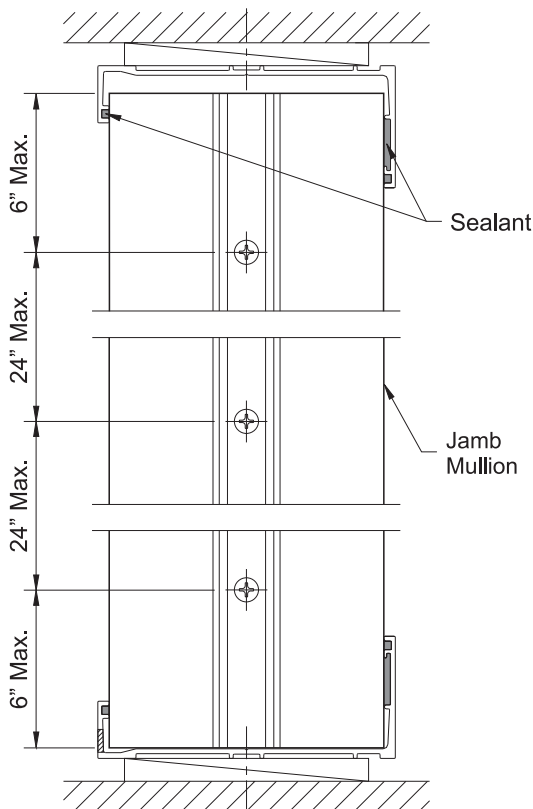
Head Receptor at Door Frame:

-The head receptor terminates at the door jamb.
-Center the door frame with the head receptor and install the door frame as instructed in the **20D, 35D, & 50D Entrances Installation Manual**.

-Apply and tool sealant to the end of the head receptor where it meets the door jamb.
See **Detail 16**.



Detail 16



Detail 17

**STEP 12
INSTALL JAMB MULLIONS**

- Apply sealant to the head and sill receptor interior walls at the ends where the jambs are to be installed.
- Install the the jamb into the head and sill receptor. Slide the jamb toward the end until contact is made with the end dam.
- Shim the jamb as required to ensure that it is plumb.
- Install flat head anchors within 6" of each end and then 24" on center maximum. Refer to approved shop drawings, or P.E. calculations for anchor fastener requirements.
- Seal the jamb member to the receptors. Make sure the excess sealant does not extend pass the jambs. See **Detail 17**.

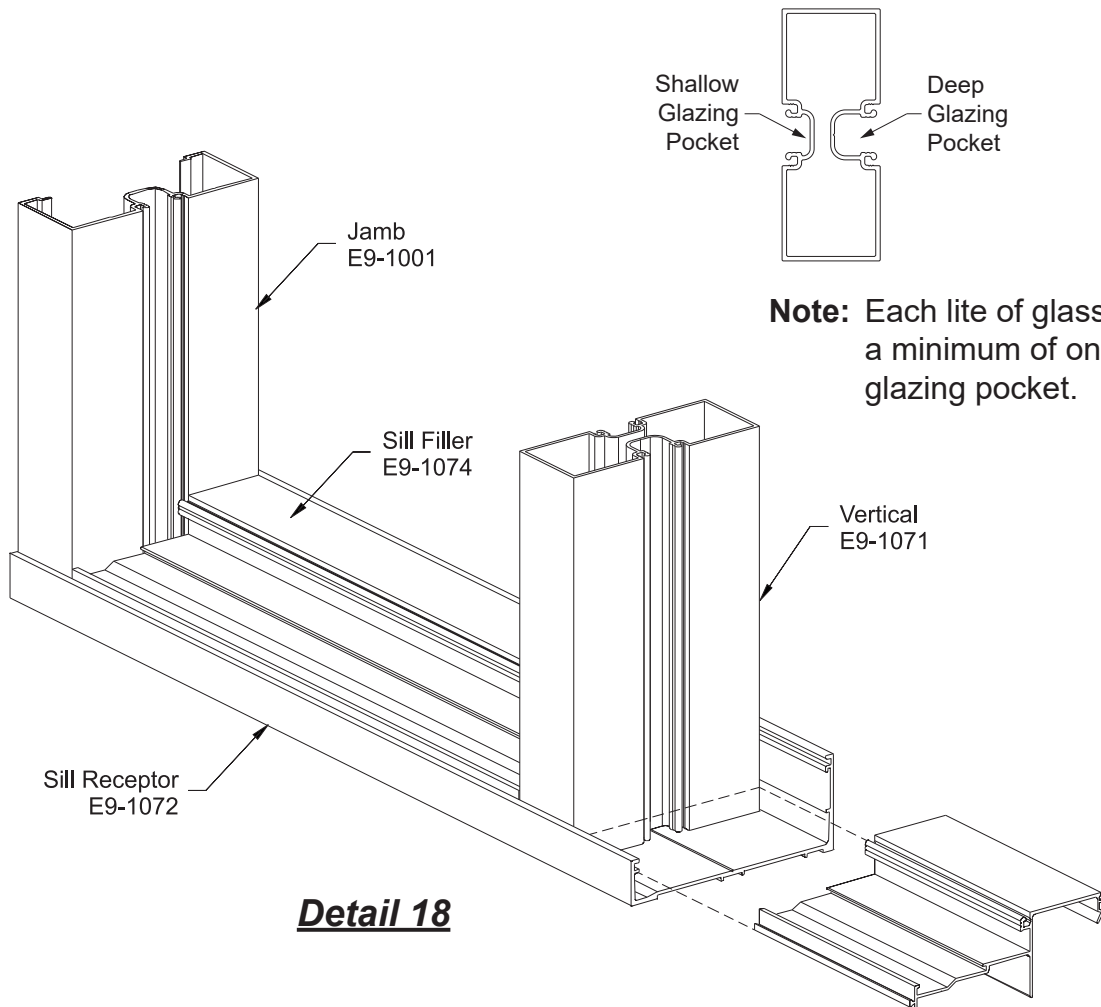
FRAME INSTALLATION

STEP 13
INSTALL INTERMEDIATE VERTICAL MULLIONS

- Snap in the first head and sill fillers and slide them tight against the jamb.
- Stand the first intermediate vertical up in between the head and sill receptors and make sure that it is installed plumb and square.
- Snap in the next head and sill fillers and slide them tight against the intermediate vertical.
- Install the rest of the verticals and head and sill fillers using the same technique described above. All verticals must be installed plumb and square.

- Caution:**
- 1) Periodically check mullion to mullion dimension to avoid accumulating dimensional error.
 - 2) Install verticals so that each lite of glass has a minimum of one deep glazing pocket.

See **Detail 18**.



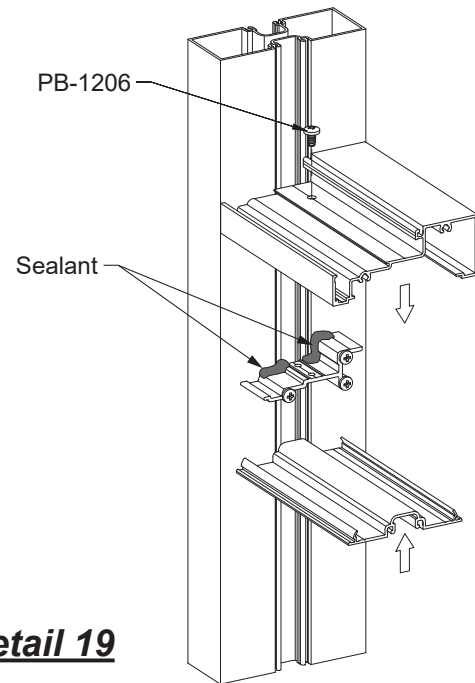
FRAME INSTALLATION

**STEP 14
INSTALL INTERMEDIATE HORIZONTALS
YES 45 CS**

For Outside Glazing:

- Apply sealant to the joints between the shear blocks and the vertical to avoid water penetration.
- Attach the intermediate horizontals at each end with one fastener:
PB-1206 for YES 45 CS (1/4" glazing).
- Snap the glazing pocket filler into the underside of the horizontal.

See **Detail 19**.



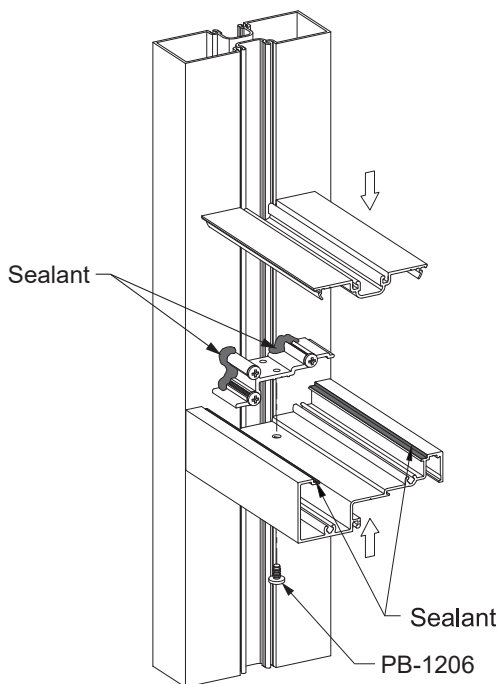
Detail 19

INSTALL INTERMEDIATE HORIZONTALS

For Inside Glazing:

- Apply sealant to the joints between the shear blocks and the vertical.
- Apply continuous sealant to the ends of the intermediate horizontal and slide the horizontal up into place.
- Attach the horizontal at each end with one PB-1206 fastener.
- Apply a bead of sealant to both legs of the horizontal snap leg.
- Snap the glazing pocket filler into the top of the horizontal.

See **Detail 20**.



Detail 20

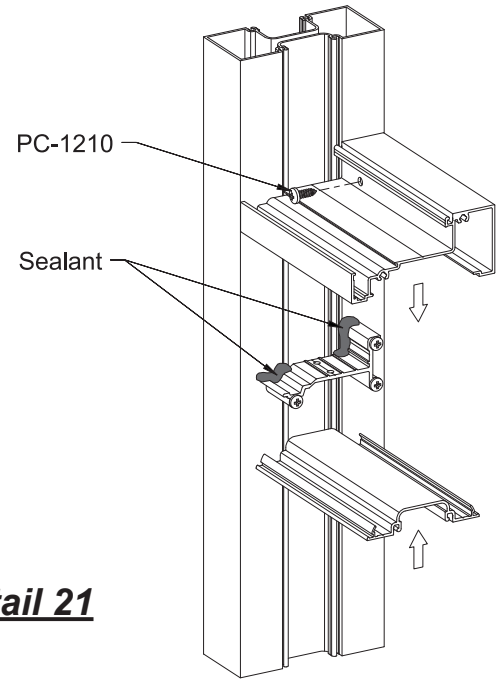
FRAME INSTALLATION

STEP 14
INSTALL INTERMEDIATE HORIZONTALS
YES 45 CI

For Outside Glazing:

- Apply sealant to the joints between the shear blocks and the vertical to avoid water penetration.
- Attach the intermediate horizontals at each end with one fastener:
 PC-1210 for YES 45 CI (1" glazing).
- Snap the glazing pocket filler into the underside of the horizontal.

See **Detail 21**.



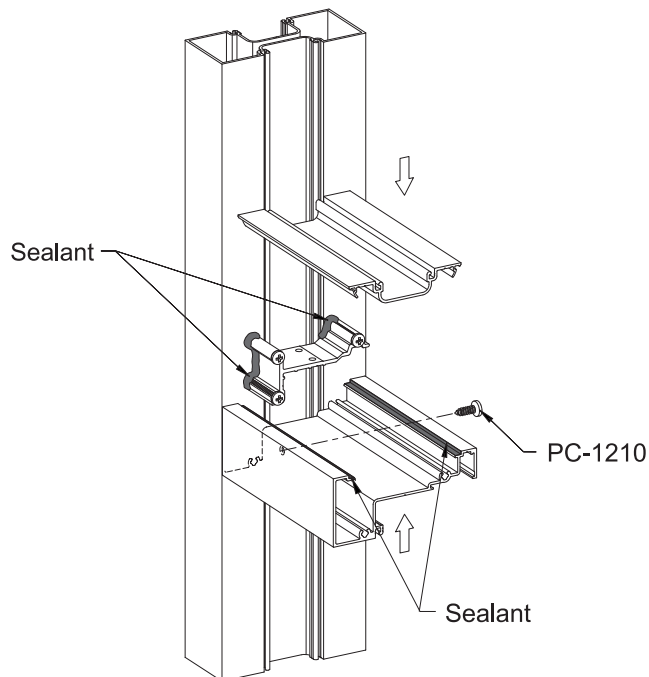
Detail 21

INSTALL INTERMEDIATE HORIZONTALS

For Inside Glazing:

- Apply sealant to the joints between the shear blocks and the vertical.
- Apply continuous sealant to the ends of the intermediate horizontal and slide the horizontal up into place.
- Attach the horizontal at each end with one PC-1210 fastener.
- Apply a bead of sealant to both legs of the horizontal snap leg.
- Snap the glazing pocket filler into the top of the horizontal.

See **Detail 22**.



Detail 22

FRAME INSTALLATION

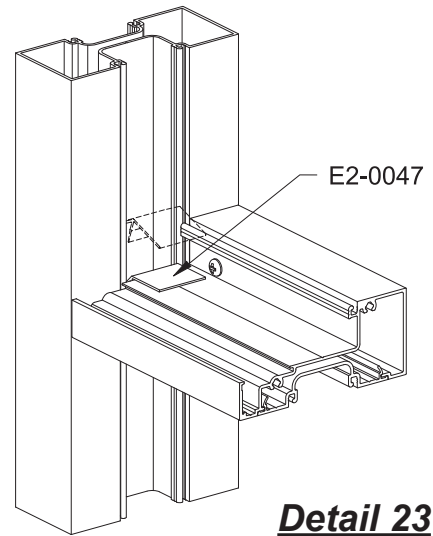
**STEP 15
INSTALL WATER DEFLECTORS**

YES 45 CS/CI requires the installation of water deflectors, E2-0047 (for 1" glazing) or E2-0048 (for 1/4" glazing), at each end of the intermediate horizontals. Water deflectors aid to properly divert water away from the framing system.

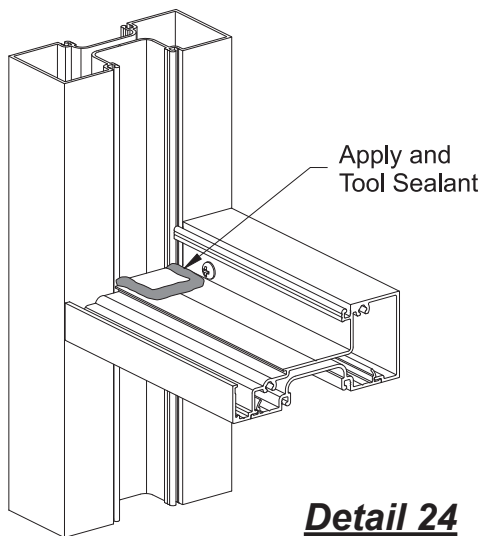
- Peel away the protective paper from the bottom of the water deflector, E2-0047, and install the water deflector by rotating it over each end of the horizontal.
- Position the vertical leg of the water deflector against the end of the horizontal.

Note: For best adhesion, make sure that the horizontal is clean and dry.

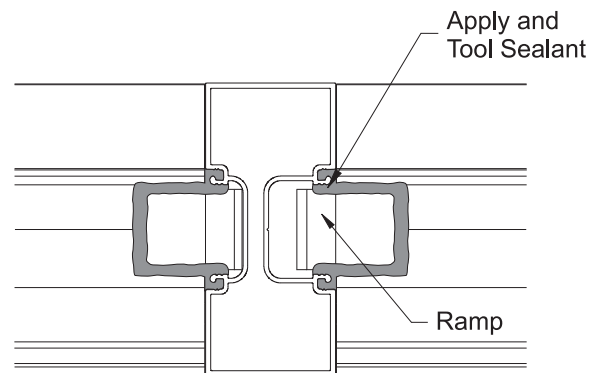
See **Detail 23**.



Detail 23
1" Glazing Shown
1/4" Glazing Similar



Detail 24
1" Glazing Shown
1/4" Glazing Similar



Detail 25
1" Glazing Shown
1/4" Glazing Similar

-Apply and tool sealant along the edges of the water deflector and down onto the horizontal.
See **Detail 24**.

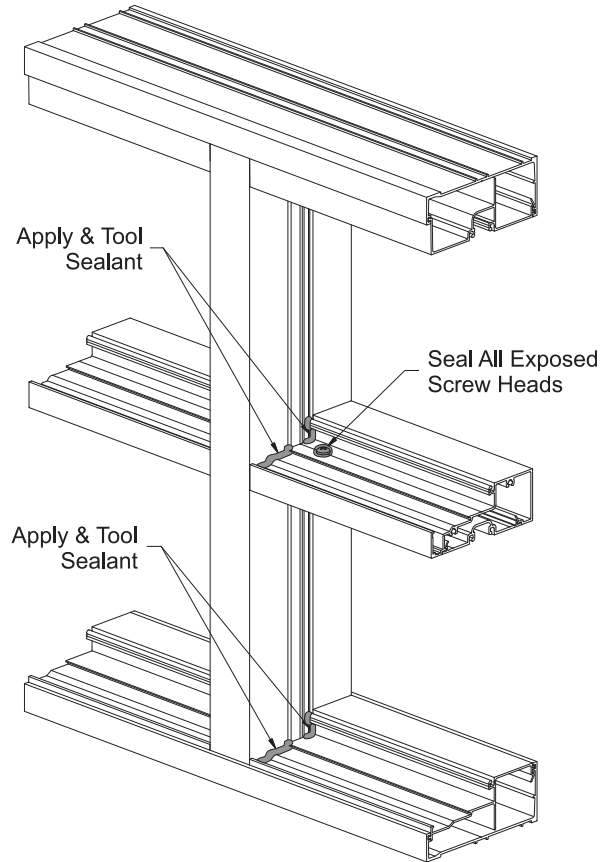
-Seal the ramp of the water deflector to the sides of the vertical gasket reglets.
See **Detail 25**.

FRAME INSTALLATION

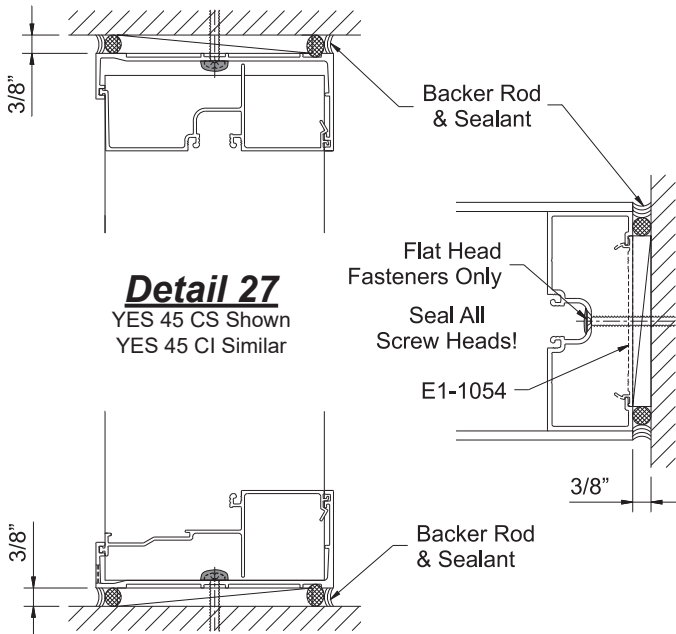
STEP 16
APPLY INTERNAL SEALANT

- Apply a generous amount of sealant to the vertical intersection of the horizontal and vertical members.
- Tool all of the sealant to ensure a water tight joint.
- Apply and tool sealant to all exposed screw heads.

See **Detail 26**.



Detail 26
YES 45 CS Shown
YES 45 CI Similar



Detail 27
YES 45 CS Shown
YES 45 CI Similar

STEP 17
APPLY PERIMETER SEALANT

- Install backer rod around the perimeter of the frame.
- Apply and tool perimeter sealant between the frame and the structure.
- Apply and tool sealant to all exposed screw heads.

See **Detail 27**.

GLAZING

STEP 18 (Optional) INSTALL GLAZING ADAPTORS

Glazing adaptors, E9-1039 and E9-1040, allow for glazing infills other than the standard 1/4" or 1". Please refer to the glazing tables on the right for possible adaptor/gasket combinations.

- Snap glazing adaptors into the interior gasket reglets of the verticals.
- Snap glazing adaptors into the interior gasket reglets of the horizontals.

-Apply and tool sealant to the joint between the vertical and horizontal glazing adaptors.

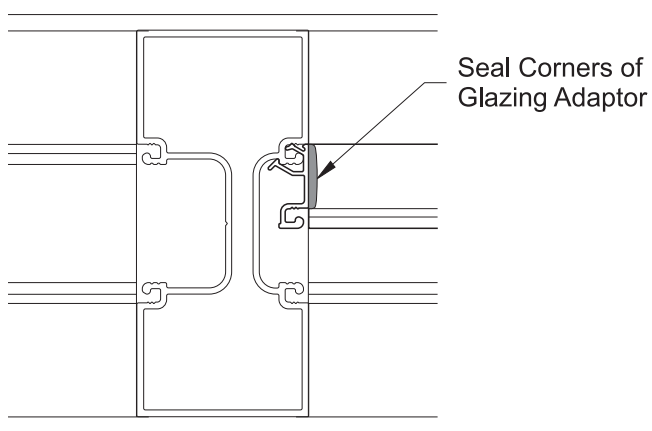
See **Detail 28**.

Glazing Table - YES 45 CS

Glass Thickness	Exterior	Interior
3/16"	E2-0052	E2-0064
1/4"	E2-0052	E2-0052
5/16"	E2-0053	E2-0052
3/8"	E2-0053	E2-0053

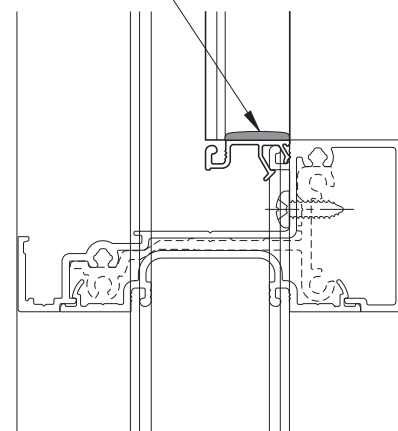
Glazing Table - YES 45 CI

Glass Thickness	Adaptor	Exterior	Interior
3/16"	E9-1040	E2-0052	E2-0064
1/4"	E9-1040	E2-0052	E2-0052
5/16"	E9-1040	E2-0053	E2-0052
3/8"	E9-1040	E2-0053	E2-0053
1/2"	E9-1039	E2-0064	E2-0064
5/8"	E9-1039	E2-0052	E2-0052
3/4"	E9-1039	E2-0053	E2-0053
7/8"	—	E2-0064	E2-0064
1"	—	E2-0052	E2-0052



VERTICAL

Seal Corners of
Glazing Adaptor



HORIZONTAL

Detail 28

Exterior Glazing Shown
Interior Glazing Similar

GLAZING

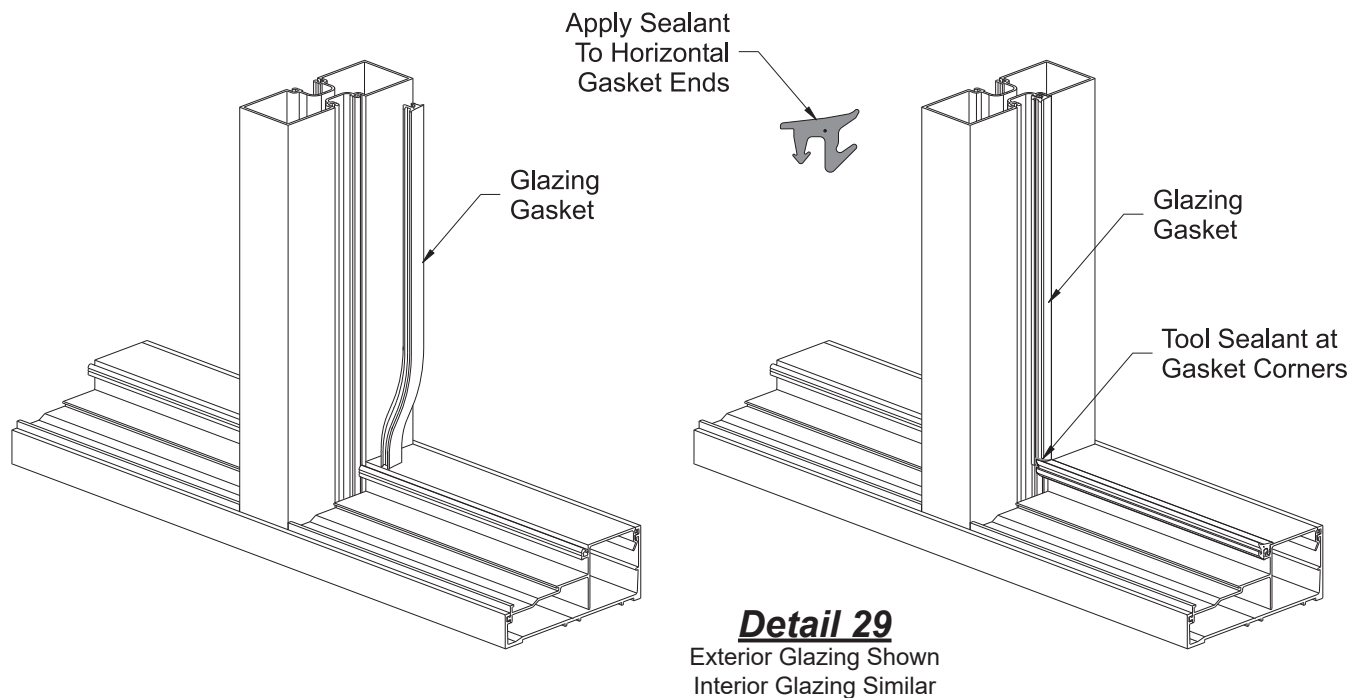
STEP 19 INSTALL GLAZING GASKETS

For inside glazing: the exterior glazing gaskets must be installed prior to the glazing process.
For outside glazing: the interior glazing gaskets must be installed prior to the glazing process.

-Using a small brush clean out any dirt that may have accumulated in the gasket reglets.

Vertical glazing gaskets must be installed first:

- Cut vertical glazing gaskets to Daylight Opening plus(+) 3/16" for each foot of length.
- Insert the gasket into the reglet at each end first, and then insert the gasket at the midpoint of the opening.
- Push the gasket into the reglet starting at the midpoint and work towards each end.



Install horizontal glazing gaskets next:

- Cut horizontal glazing gaskets to Daylight Opening plus(+) 3/16" for each foot of length.
 - Apply sealant to each end of the horizontal glazing gasket prior to inserting into the reglet.
 - Insert the gasket into the reglet at each end first and push each end tight against the vertical gasket.
 - Then insert the gasket at the midpoint of the opening and push the gasket into the reglet starting at the midpoint and work towards each end.
- Tool the excess sealant at the gasket corners to ensure a watertight seal.

See **Detail 29**.

GLAZING

STEP 20 INSTALL GLASS

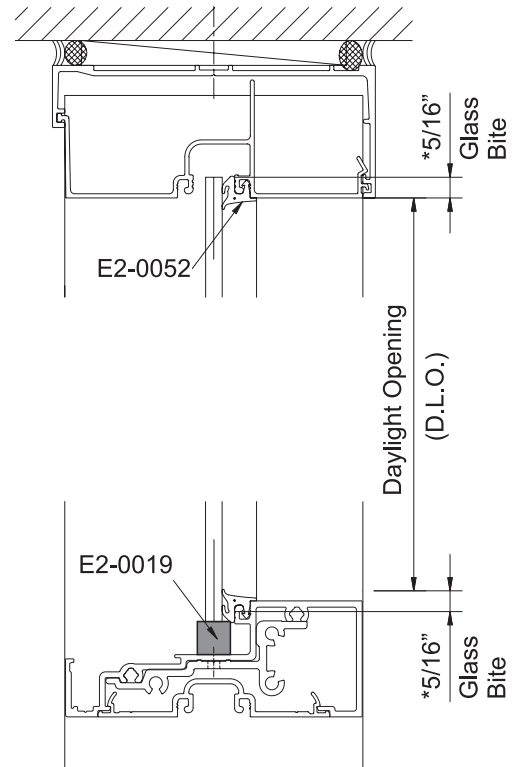
Determine the glass size:

	1/4" Glass Size	1" Glass Size
Vertical	D.L.O. + 5/8"	D.L.O. + 7/8"
Horizontal	D.L.O. + 5/8"	D.L.O. + 7/8"

- Install setting blocks at quarter points of horizontal D.L.O. or according to engineering calculations.
- Carefully install the glass into the opening: bring the lite up and into the deep pocket first and then rotate the other end in place.
- Make sure the glass is engaged with all setting blocks.

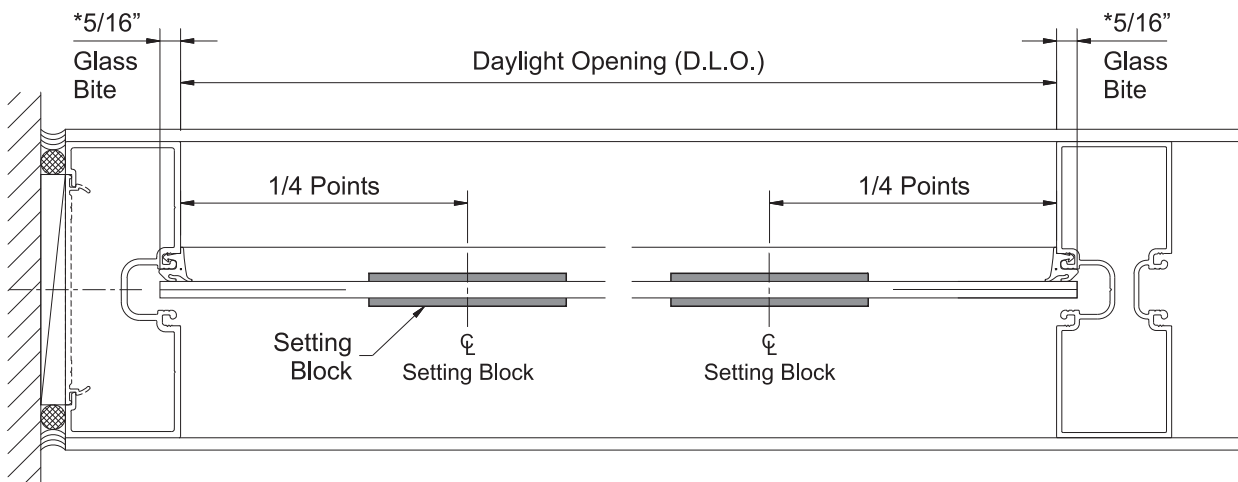
See **Detail 30**.

*Note: For 1" glazing glass bite is 7/16".



Detail 30

YES 45 CS Shown
YES 45 CI Similar



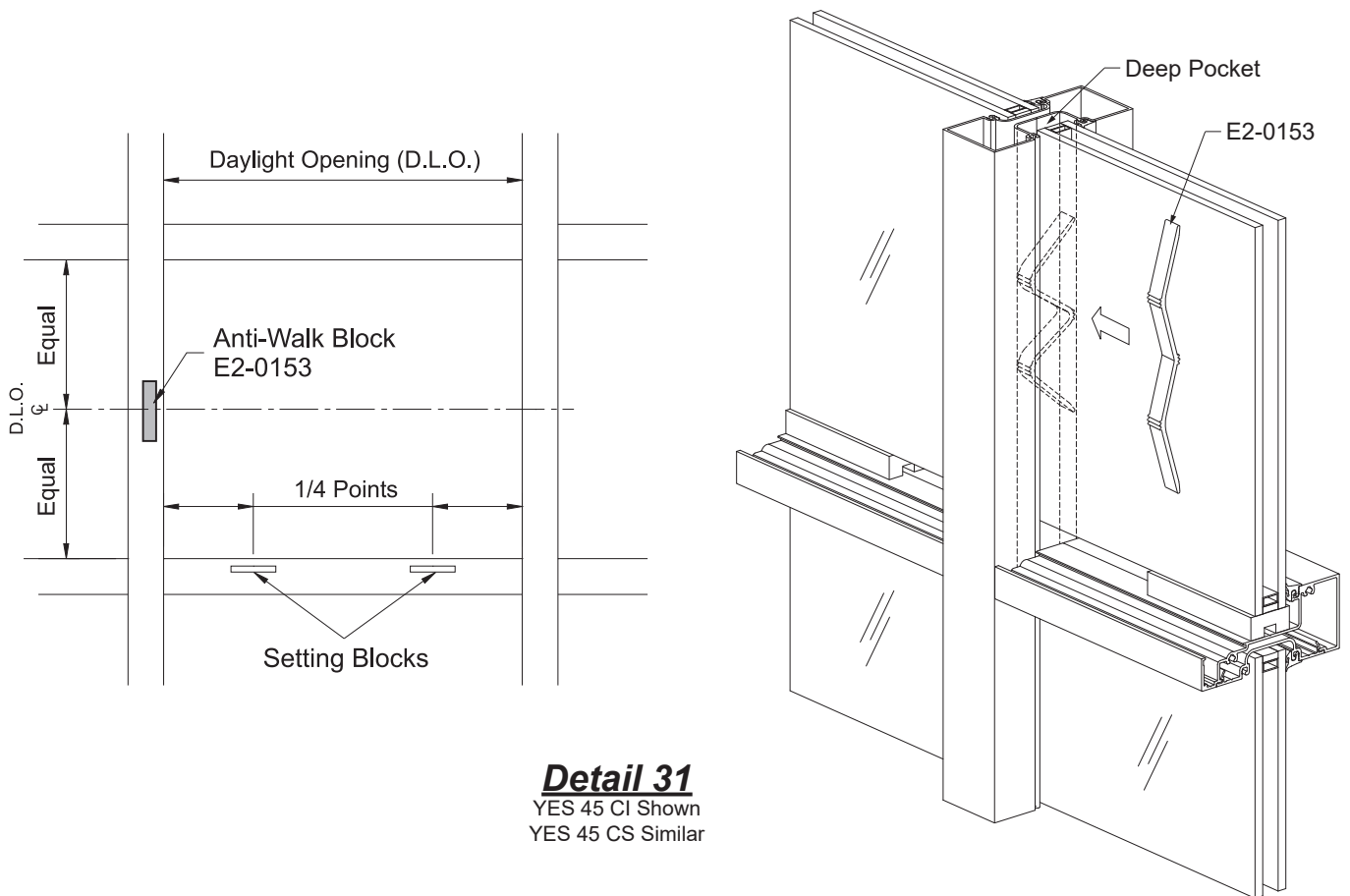
GLAZING

STEP 21 INSTALL ANTI-WALK BLOCKS

YES 45 CS and CI frames require the installation of an anti-walk block, E2-0153, in the vertical deep glazing pocket of each lite centered along the daylight opening.

-Flatten the anti-walk block against the exterior surface of the glass and push it into the opening between the glass and the mullion until it is released into the glazing pocket.

See **Detail 31**.



Detail 31
YES 45 CI Shown
YES 45 CS Similar

GLAZING

**STEP 22
INSTALL GLASS STOPS**

For Outside Glazing:

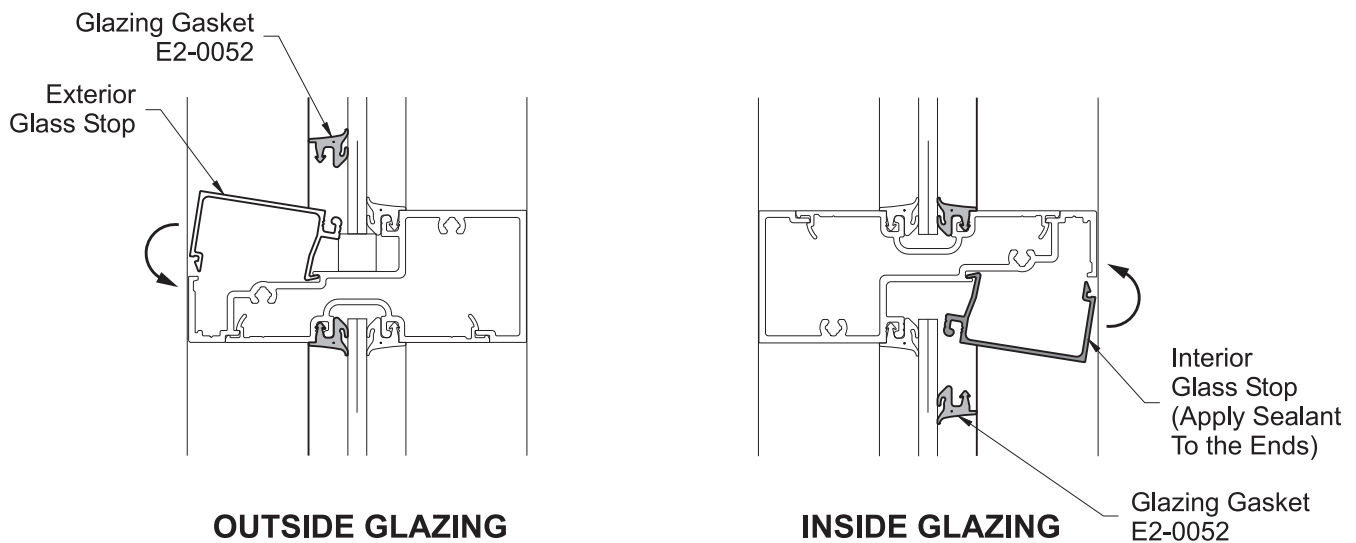
- Snap the exterior glass stops into place as shown in **Detail 32**.
- Install the exterior glazing gaskets using the same technique described in **Step 19 on Page 23**. Always install the vertical glazing gasket first.

Repeat **Steps 20 thru 22** until all lites are installed.

For Inside Glazing:

- Apply sealant to each end of the interior glass stop.
- Snap the interior glass stops into place as shown in **Detail 32**.
- Install the interior glazing gaskets using the same technique described in **Step 19 on Page 23**. Always install the vertical glazing gasket first.

Repeat **Steps 20 thru 22** until all lites are installed.



Detail 32
YES 45 CS Shown
YES 45 CI Similar



101 Marietta Street NW
Suite 2100
Atlanta, Georgia 30303
www.ykkap.com