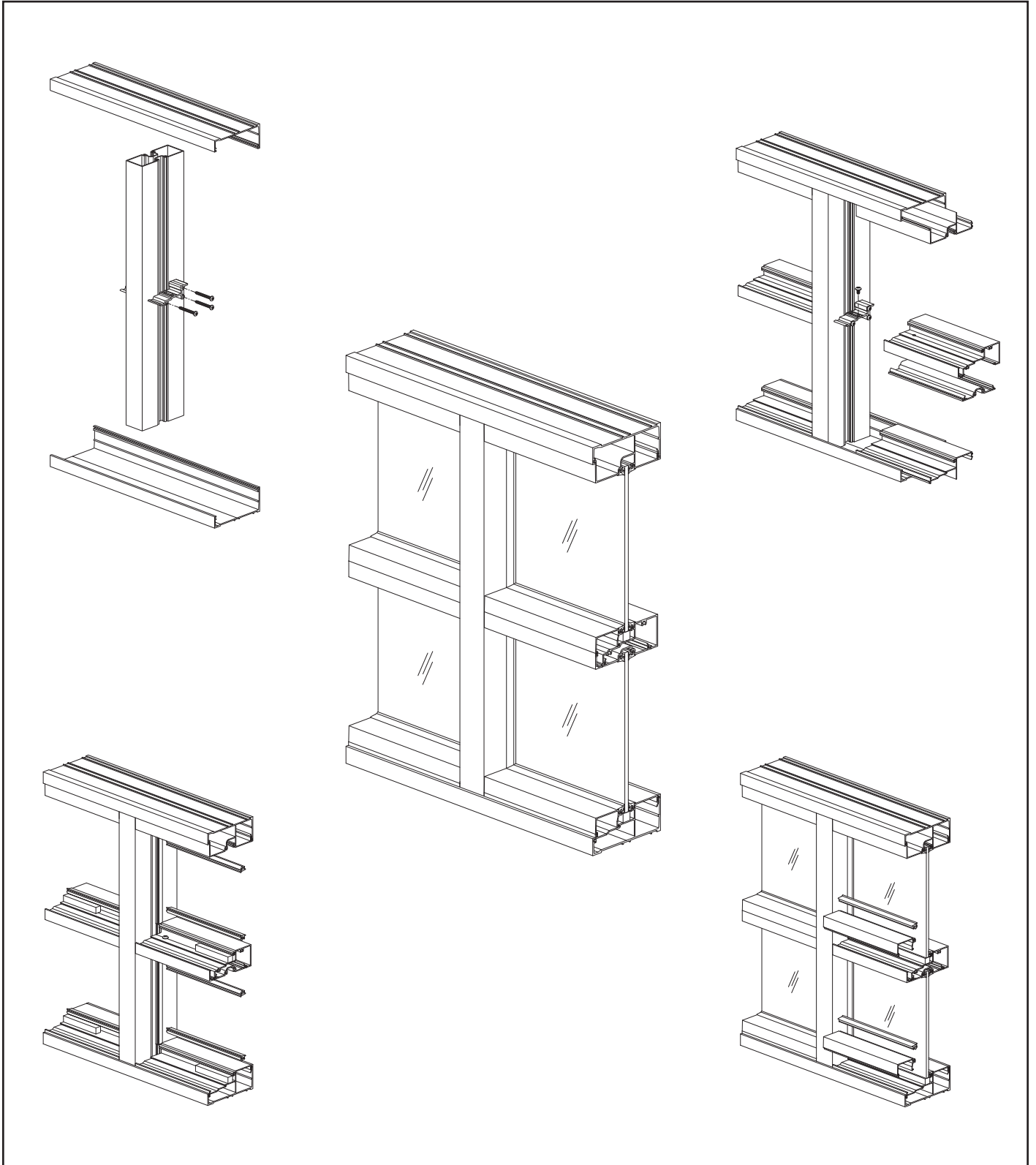


**YCN 45 FS/FI Storefront Can System**



**Installation Manual**



**TABLE OF CONTENTS**

Installation Notes ..... Page ii

**PARTS DESCRIPTION**

Framing Members ..... Page 1 to 4  
 Accessories ..... Page 5  
 Fasteners..... Page 6

**FRAME FABRICATION**

Fabricate Head & Sill Receptors ..... Pages 7 & 8  
 Fabricate Weep Holes in Sill Receptors ..... Page 8  
 Fabricate Anchor Holes in Head & Sill Receptors ..... Page 9  
 Fabricate Vertical Mullions ..... Pages 9 & 10  
 Fabricate Head & Sill Fillers ..... Page 11  
 Fabricate Intermediate Horizontals..... Pages 11 & 12  
 Fabricate Glass Stops & Glazing Pocket Fillers ..... Page 12

**FRAME INSTALLATION**

Install Head & Sill Receptor End Dams ..... Page 13  
 Install Head & Sill Receptors ..... Pages 14 to 16  
 Install Jamb Mullions ..... Page 16  
 Install Intermediate Vertical Mullions ..... Page 17  
 Install Intermediate Horizontals ..... Pages 18 & 19  
 Install Water Deflectors ..... Page 20  
 Apply Internal Sealant ..... Page 21  
 Apply Perimeter Sealant..... Page 21



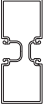

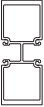


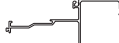
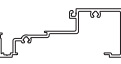
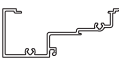










**GLAZING**

Install Glazing Adaptors..... Page 22  
 Install Glazing Gaskets..... Page 23  
 Install Glass ..... Page 24  
 Install Anti-walk Blocks ..... Page 26  
 Install Glass Stops..... Page 26





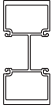



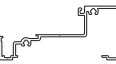











## Installation Notes

1. Do not drop, roll or drag boxes of aluminum framing. Move and stack boxes with proper support to prevent distortion. If fork lifts are used be especially careful about striking the boxes when lifting or moving.
2. Store in a dry, out of the way area. If rain exposure, condensation or any water contact is likely, then all packaging material should be removed. Wet packaging materials will discolor and may stain aluminum finishes and paints.
3. All materials should be checked for quality and quantity upon receipt, YKK AP must be notified immediately of any discrepancies in shipment. Check to make sure that you have the required shims, sealants, supplies and tools necessary for the installation.
4. Carefully check the openings and surrounding conditions that will receive your material. Remember, if the construction is not per the construction documents, it is your responsibility to notify the general contractor in writing. Any discrepancies must be brought to the general contractor's attention before you proceed with the installation.
5. Gather your shop drawings, materials, packing list, and this installation manual. Carefully review parts location, the sequence it goes therein, when you glaze it and how you seal it. Installation instructions are of a general nature and may not cover every condition you will encounter. The shop drawings and/or installation manuals were prepared specifically for the product.
6. Any material substitutions must be of equal or greater quality.
7. Make certain that material samples have been sent for compatibility testing for all manufacturer's sealants involved. Make certain sealants have been installed in strict accordance with the manufacturer's recommendations and specifications.
8. Remember to isolate, in an approved manner, all aluminum from uncured masonry or other incompatible materials.
9. System-to-structure fasteners are not supplied by YKK AP. Fasteners called out on shop drawings are to indicate minimum sizes for design loading.
10. Entrances are to be installed plumb, square, level and true.
11. If any questions arise concerning YKK AP products or their installation, contact YKK AP for clarification before proceeding.
12. YKK AP storefront and/or curtain wall framing is typically completed before drywall, flooring and other products which may still be in process. Take the extra time to wrap and protect the work produced.
13. Cutting tolerances are plus zero (0"), minus one thirty second (-1/32") unless otherwise noted.
14. Check our website, [www.ykkap.com](http://www.ykkap.com), for the latest installation manual update prior to commencing work.

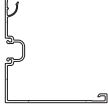
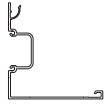
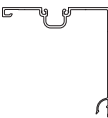
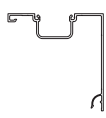
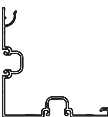
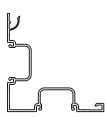
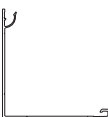

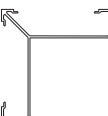
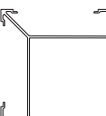
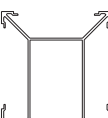
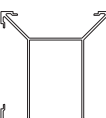






YCN 45 FS FRAMING MEMBERS (1-3/4" x 4-1/2")

YCN 45 FS (1/4" Outside Glazing)			YCN 45 FS (1/4" Inside Glazing)		
	Jamb	E9-1001		Jamb	E9-1001
	Vertical	E9-1071		Vertical	E9-1071
	Heavy Duty Vertical	E9-1078		Heavy Duty Vertical	E9-1078
	Head Filler	E9-1073		Head Filler	E9-1074
	Horizontal	E9-1069		Horizontal	E9-1069
	Shallow Pocket Filler	E9-1002		Shallow Pocket Filler	E9-1002
	Sill Filler	E9-1074		Sill Filler	E9-1073
	Glass Stop	E9-1005		Glass Stop	E9-1005
	Head/Sill Receptor	E9-1072		Head/Sill Receptor	E9-1072
	Heavy Duty Head/Sill Receptor	E9-1080		Heavy Duty Head/Sill Receptor	E9-1080

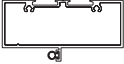
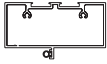

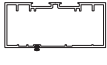
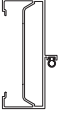



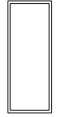













## YCN 45 FI FRAMING MEMBERS (2" x 4-1/2")

YCN 45 FI (1" Outside Glazing)			YCN 45 FI (1" Inside Glazing)		
	Jamb	E9-1011		Jamb	E9-1011
	Vertical	E9-1075		Vertical	E9-1075
	Heavy Duty Vertical	E9-1079		Heavy Duty Vertical	E9-1079
	Head Filler	E9-1076		Head Filler	E9-1077
	Horizontal	E9-1089		Horizontal	E9-1089
	Shallow Pocket Filler	E9-1012		Shallow Pocket Filler	E9-1012
	Sill Filler	E9-1077		Sill Filler	E9-1076
	Glass Stop	E9-1015		Glass Stop	E9-1015
	Head/Sill Receptor	E9-1072		Head/Sill Receptor	E9-1072
	Heavy Duty Head/Sill Receptor	E9-1080		Heavy Duty Head/Sill Receptor	E9-1080

**CORNER FRAMING MEMBERS**

YCN 45 FS (1/4" Outside & Inside Glazing)			YCN 45 FI (1" Outside & Inside Glazing)		
	<b>Two Piece Corner Post</b> Use with self, E9-1045, E9-1046 & E9-1050	<b>E9-1044</b>		<b>Two Piece Corner Post</b> Use with self, E9-1048, E9-1049 & E9-1050	<b>E9-1047</b>
	<b>Two Piece Corner Post</b> Use with self, E9-1044, E9-1046 & E9-1050	<b>E9-1045</b>		<b>Two Piece Corner Post</b> Use with self, E9-1047, E9-1049 & E9-1050	<b>E9-1048</b>
	<b>Two Piece Corner Post</b> Use with self, E9-1044, E9-1045 & E9-1050	<b>E9-1046</b>		<b>Two Piece Corner Post</b> Use with self, E9-1047, E9-1048 & E9-1050	<b>E9-1049</b>
	<b>Two Piece Corner Post</b> Use with self, E9-1044, E9-1045 & E9-1046	<b>E9-1050</b>		<b>Two Piece Corner Post</b> Use with self, E9-1047, E9-1048 & E9-1049	<b>E9-1050</b>
	<b>90° Two-Way Corner Post</b> Use with E9-1009	<b>E9-1021</b>		<b>90° Two-Way Corner Post</b> Use with E9-1019	<b>E9-1021</b>
	<b>90° Three-Way Corner Post</b> Use with E9-1009	<b>E9-1022</b>		<b>90° Three-Way Corner Post</b> Use with E9-1019	<b>E9-1022</b>
	<b>Deep Pocket Filler</b>	<b>E9-1009</b>		<b>Deep Pocket Filler</b>	<b>E9-1019</b>
	<b>Flat Filler</b>	<b>E9-1038</b>		<b>Glazing Adaptor</b> For 3/16", 1/4", 5/16", & 3/8" glazing	<b>E9-1040</b>
				<b>Glazing Adaptor</b> For 5/8" and 3/4" glazing	<b>E9-1039</b>
				<b>Flat Filler</b>	<b>E9-1038</b>

## DOOR FRAMING MEMBERS









YCN 45 FS (1/4" Outside & Inside Glazing)			YCN 45 FI (1" Outside & Inside Glazing)		
	<b>Single Acting Door Head/Transom Bar</b> Elastomer weathering E2-0051 included	<b>AS-0402</b>		<b>Single Acting Door Head/Transom Bar</b> Elastomer weathering E2-0051 included	<b>AS-0412</b>
	<b>Double Acting Door Head/Transom Bar</b> Pile weathering E2-0062 included	<b>AS-0425</b>		<b>Double Acting Door Head/Transom Bar</b> Pile weathering E2-0062 included	<b>AS-0426</b>
	<b>Single Acting Door Jamb</b> Elastomer weathering E2-0051 included	<b>AS-0421</b>		<b>Single Acting Door Jamb</b> Elastomer weathering E2-0051 included	<b>AS-0411</b>
	<b>Double Acting Door Jamb</b>	<b>E9-0422</b>		<b>Double Acting Door Jamb</b>	<b>E9-0415</b>
	<b>Intermediate Door Jamb</b>	<b>E9-0410</b>		<b>Intermediate Door Jamb</b>	<b>E9-9312</b>
	<b>Transom Glass Stop</b> For 1/4" glazing	<b>E9-0403</b>		<b>Transom Glass Stop</b> For 1" glazing	<b>E9-0413</b>
	<b>Transom Glazing Pocket</b> For 1/4" glazing	<b>E9-0434</b>		<b>Transom Glazing Pocket</b> For 1" glazing	<b>E9-0435</b>
	<b>Door Stop O/P Assembly</b> Elastomer weathering E2-0051 included	<b>AS-0409</b>		<b>Door Stop O/P Assembly</b> Elastomer weathering E2-0051 included	<b>AS-0409</b>
	<b>Door Stop Base</b> Used with AS-0409	<b>E9-1113</b>		<b>Door Stop Base</b> Used with AS-0409	<b>E9-1113</b>
	<b>Sash Base</b> Use with E9-0403	<b>E9-0408</b>		<b>Sash Base</b> Use with E9-0413	<b>E9-0408</b>
	<b>Threshold</b> 1/2" x 4"	<b>E9-0407</b>		<b>Threshold</b> 1/2" x 4"	<b>E9-0407</b>



YCN 45 FS/FI ACCESSORIES

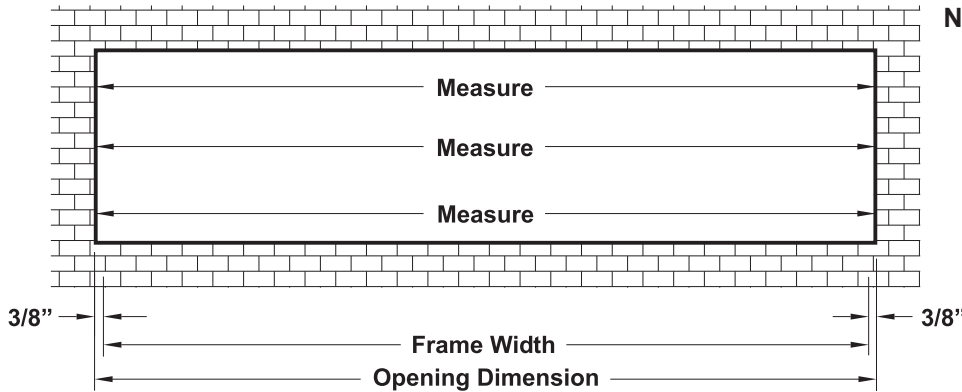
	<b>Shear Block</b> For Intermediate Horizontal 1/4" Glazing (YCN 45 FS)	<b>E1-1012</b>		<b>Setting Block</b> For Transom Bar 1" Glazing (YCN 45 FI)	<b>E2-0056</b>
	<b>Shear Block</b> For Intermediate Horizontal For 1" Glazing (YCN 45 FI)	<b>E1-1013</b>		<b>Setting Block</b> For 1" Glazing (YCN 45 FI) Inside Glazed Horizontal	<b>E2-0177</b>
	<b>Shear Block</b> For Transom Bar AS-0425 & AS-0426	<b>E1-0317</b>		<b>Anti-Walk Block</b> For Deep Pocket (YCN 45 FI)	<b>E2-0153</b>
	<b>End Dam</b> For E9-1072 & E9-1080	<b>E1-1048</b>		<b>Steel Reinforcing</b> For 1/4" Glazing (YCN 45 FS)	<b>E1-0155</b>
	<b>Flat Filler</b> Use at all Anchor Locations	<b>E1-1054</b>		<b>Steel Reinforcing</b> For 1" Glazing (YCN 45 FI)	<b>E1-0156</b>
	<b>Water Deflector</b> For 1" Glazing (YCN 45 FI)	<b>E2-0047</b>		<b>Silicone Splice Sheet</b> For E9-1072 & E9-1080	<b>E2-0070</b>
	<b>Water Deflector</b> For 1/4" Glazing (YCN 45 FS)	<b>E2-0048</b>		<b>Glazing Gasket</b>	<b>E2-0052</b>
	<b>Setting Block</b> For 1/4" Glazing (YCN 45 FS)	<b>E2-0019</b>		<b>Glazing Gasket</b>	<b>E2-0053</b>
	<b>Setting Block</b> For 1" glazing (YCN 45 FI)	<b>E2-0020</b>		<b>Glazing Gasket</b>	<b>E2-0064</b>
	<b>Setting Block</b> For 1/4" Glazing (YCN 45 FS) Inside Glazed Horizontal	<b>E2-0046</b>			

## YCN 45 FS/FI FASTENERS

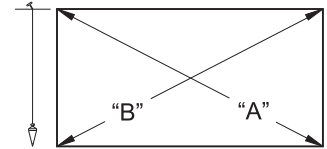
	<p><b>#8 x 1/4" FHMS</b> Zinc Plated Steel For attachment of Steel Reinforcing (YCN 45 FI)</p>	<p><b>FM-0804</b></p>		<p><b>#12 x 3/8" PHSMS</b> Type B, Zinc Plated Steel For attachment of Horizontal to Shear Block</p>	<p><b>PB-1206</b></p>
	<p><b>#8 x 3/8" FHMS</b> Zinc Plated Steel For attachment of Steel Reinforcing (YCN 45 FS)</p>	<p><b>FM-0806</b></p>		<p><b>#12 x 5/8" PHSMS</b> Type AB, Zinc Plated Steel For attachment of Horizontal to Shear Block</p>	<p><b>PC-1210</b></p>
	<p><b>#10 x 1/2" FHSMS</b> Type AB, Zinc Plated Steel For attachment of Horizontal to Shear Block (E1-0317)</p>	<p><b>FC-1008</b></p>		<p><b>#10 x 1-3/4" PHSMS</b> Type AB, Zinc Plated Steel For attachment of Shear Block to Vertical</p>	<p><b>PC-1028</b></p>
	<p><b>#10 x 3/8" PHSMS</b> Type AB, Zinc Plated Steel For attachment of End Dam</p>	<p><b>PC-1006</b></p>		<p><b>#12 x 1-3/4" PHSMS</b> Type AB, Zinc Plated Steel For attachment of Shear Block (E1-0317) to Vertical</p>	<p><b>PC-1228</b></p>

## FRAME FABRICATION

### STEP 1 FABRICATE HEAD & SILL RECEPTORS



**Note:** Check opening for square-ness and plumb at both ends. Units must be installed in a true rectangle.



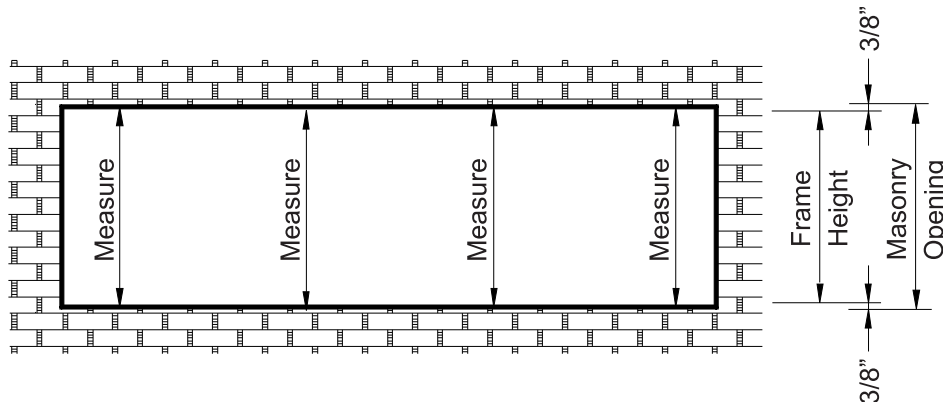
**A = B**

**Detail 1**

- Measure the width of the masonry opening at the top, middle, and bottom.
- Select the smallest dimension measured and subtract 3/4" to determine frame width to be used. See **Detail 1**.

**Note:** Frame widths over 24'-0" require receptor splice joints every 12 to 15 feet (locations as indicated on the approved shop drawings).

#### Determine Frame Height:



**Detail 2**

- Measure the masonry opening height several times along the length of the opening to obtain the smallest vertical dimension.
- Frame height equals the smallest vertical dimension minus(-) 3/4". (Allow 3/8" minimum caulk joint at both the head and the sill.)

See **Detail 2**.

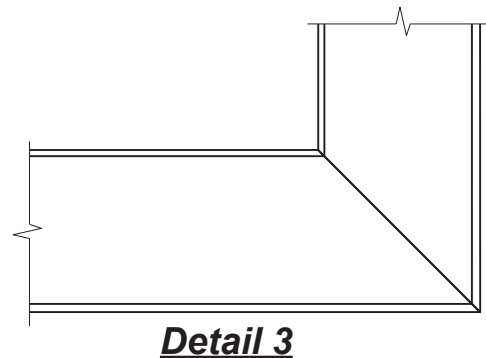
**FRAME FABRICATION**

**Step 1 (Continued)  
FABRICATE HEAD & SILL RECEPTORS**

**Receptors at Corners:**

If your project has corners, then the head and sill receptors are to be mitered. See **Detail 3**.

**Note:** 90° corner shown, other angles similar.



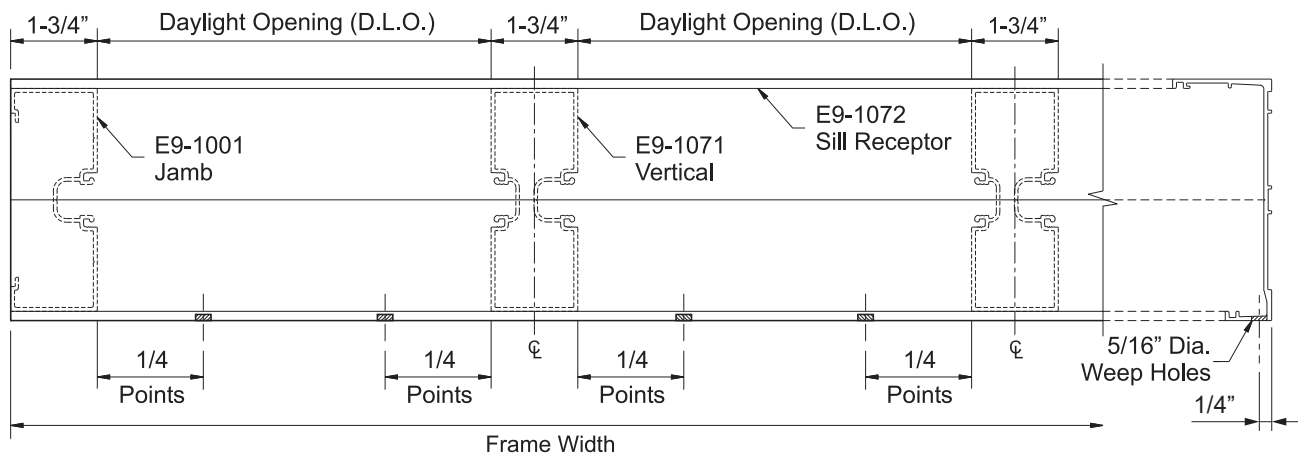
**Detail 3**

**STEP 2  
FABRICATE WEEP HOLES IN SILL RECEPTOR**

-Mark the front face of the sill flashing at quarter points of daylight opening between vertical members as shown below.

-Drill 5/16" diameter weep holes at each location marked.

See **Detail 4**.



**Detail 4**

**FRAME FABRICATION**

**STEP 3  
FABRICATE ANCHOR HOLES IN HEAD & SILL RECEPTORS**

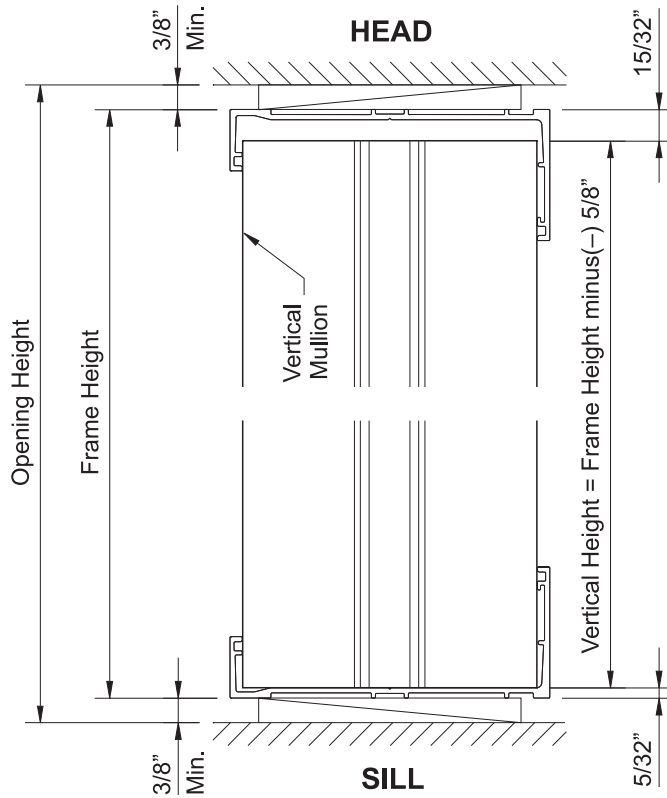
-Drill the holes for the sill flashing and head receptor to the structure a maximum of 4" from each end and then 18" to 24" on center, or per P.E. calculations.

**STEP 4  
FABRICATE VERTICAL MULLIONS**

Cut vertical mullions:

- Vertical mullions must be fabricated to fit into the head and sill receptors.
- All verticals must be cut to Frame Height (determined in **Step 1**) minus(-) 5/8".

See **Detail 5**.



**Detail 5**

## FRAME FABRICATION

### STEP 5

### FABRICATE VERTICALS FOR SHEAR BLOCK ATTACHMENT

Shear blocks are required to attach intermediate horizontals to vertical and jamb mullions:

E1-1012 for YCN 45 FS (1/4" glazing).

E1-1013 for YCN 45 FI (1" glazing).

-Refer to shop drawings and mark a line on the side of the vertical at the top of each horizontal.

-Use a short piece of horizontal with a shear block attached as a template.

-Align the glazing pockets and mark the hole locations for the shear block onto the vertical.

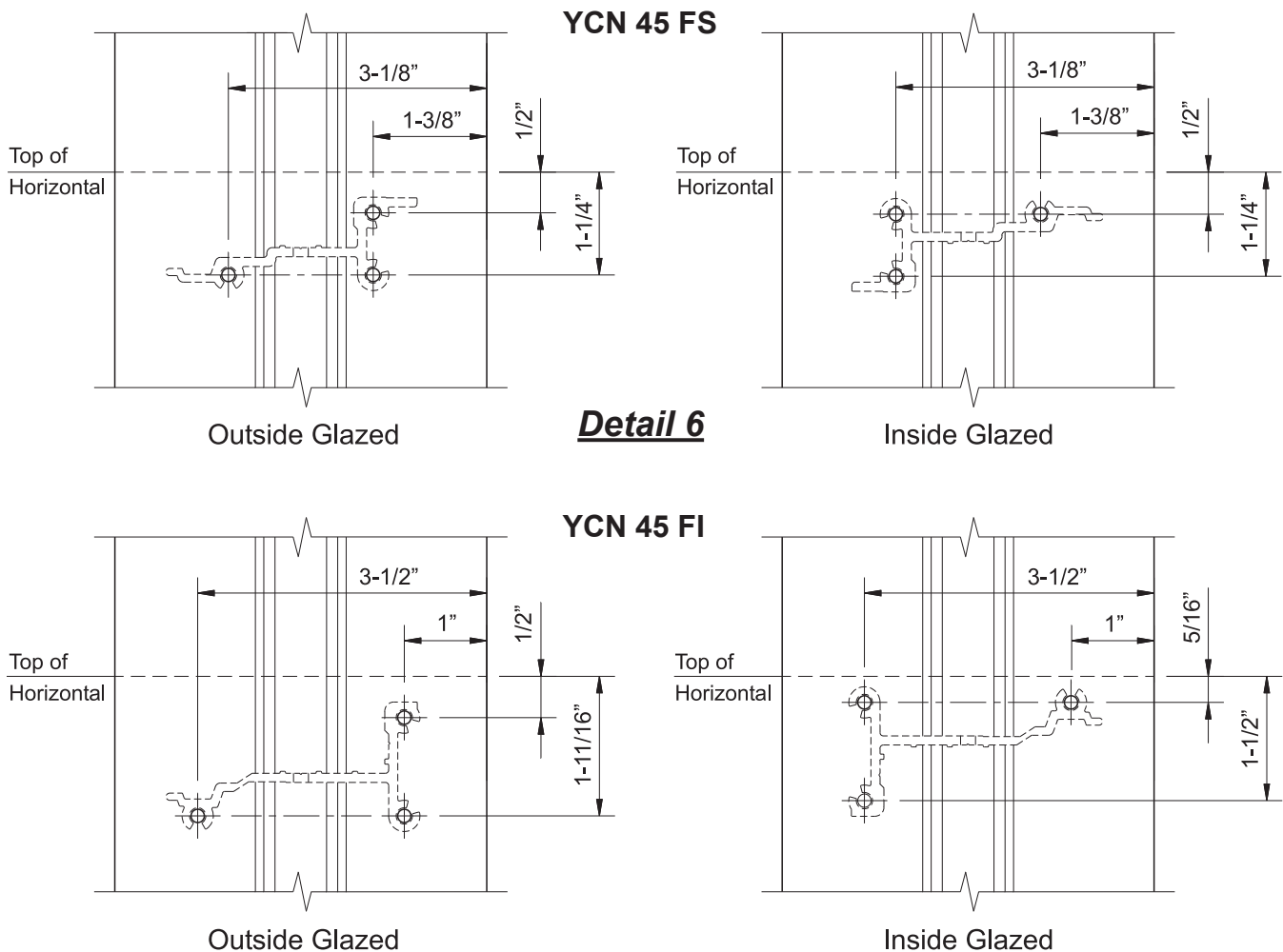
**OR**

-Layout the location for each shear block as shown below.

-Drill 0.161" diameter (#20 drill bit) holes at each location marked.

-Attach the shear blocks to the verticals using (3) PC-1028 fasteners.

See **Detail 6**.

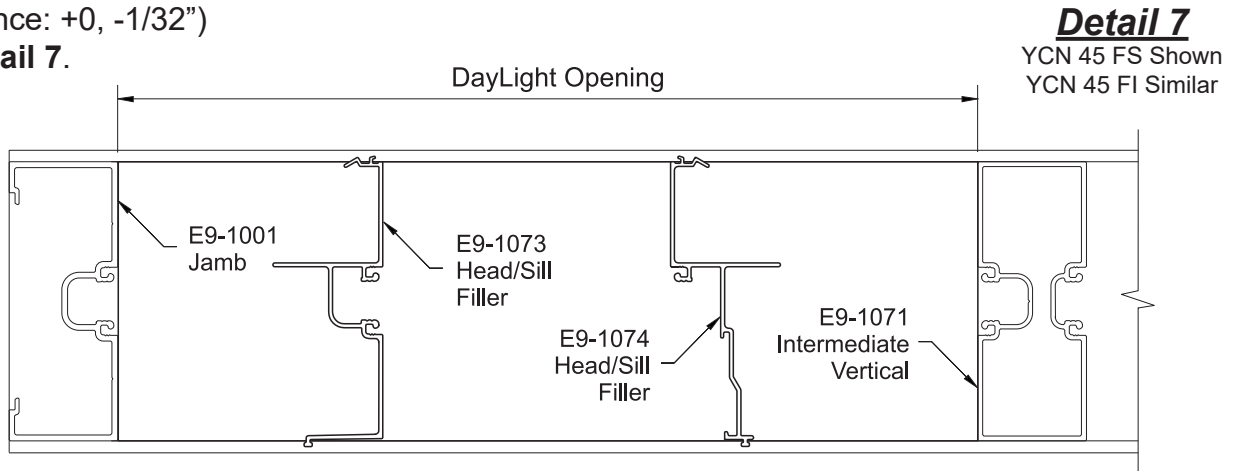


**FRAME FABRICATION**

**STEP 6  
FABRICATE HEAD/SILL FILLERS**

-Cut head and sill fillers to the daylight opening between vertical members.  
(Tolerance: +0, -1/32")

See **Detail 7**.



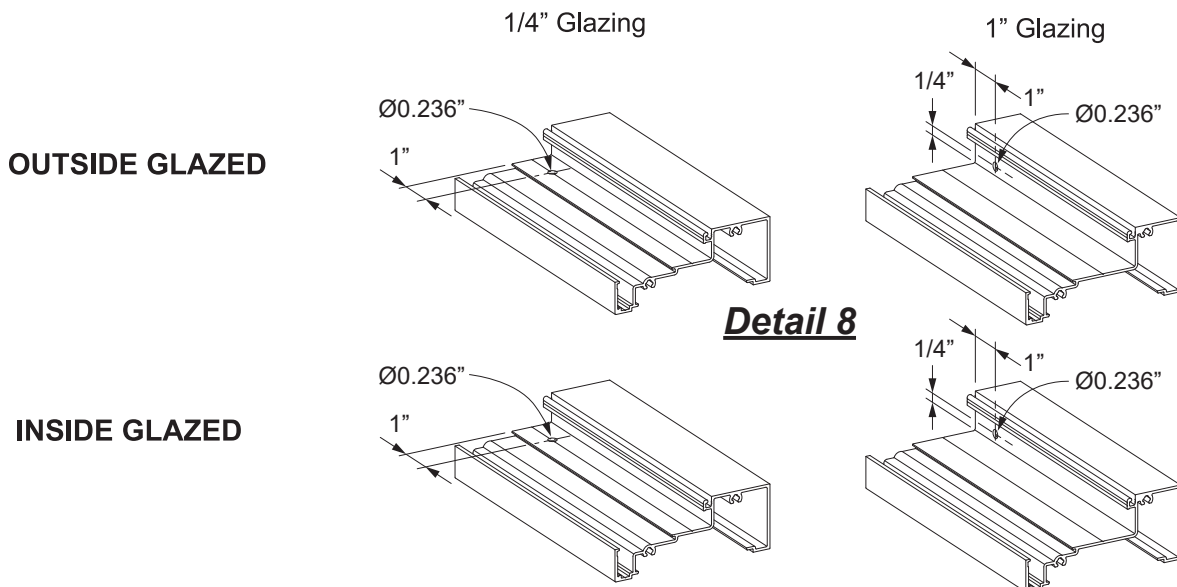
**STEP 7  
FABRICATE INTERMEDIATE HORIZONTALS**

-Cut intermediate horizontals to the daylight opening between vertical members.

Additional fabrication is required for attachment of intermediate horizontals to shear blocks.

- For 1/4" glazing: Measure in 1" from each end of the horizontal and mark a hole location on the "V"-Groove of the glazing pocket.
- For 1" glazing: Measure in 1" from each end and up 1/4" from the glazing pocket and mark a hole location.
- Drill a 0.236" diameter (#B drill bit) hole at each location marked.

See **Detail 8**.



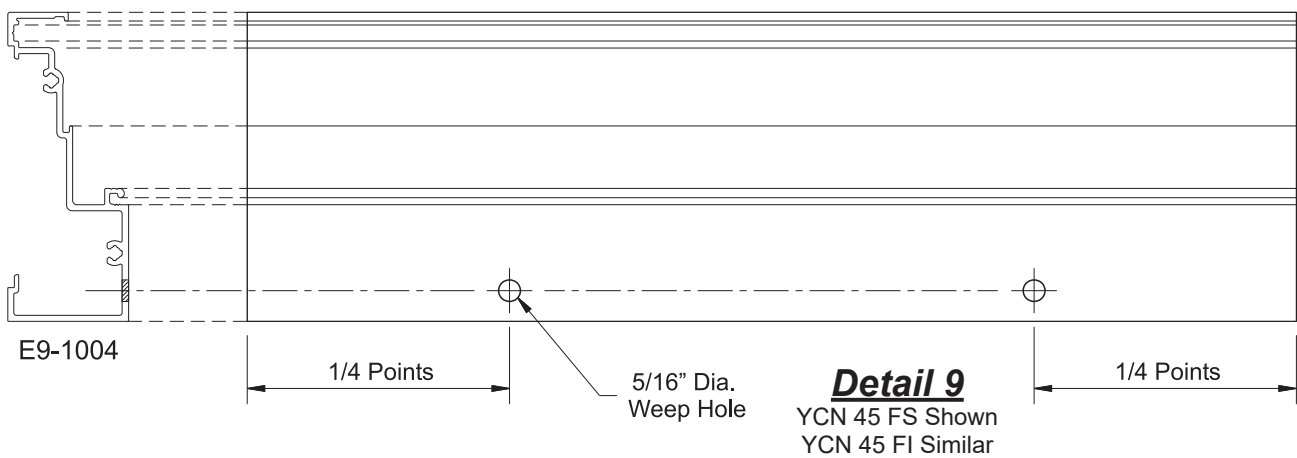
**FRAME FABRICATION**

**STEP 8  
FABRICATE WEEP HOLES  
FOR INSIDE GLAZED INTERMEDIATE HORIZONTALS**

Intermediate horizontals that will be glazed from the inside require the fabrication of weep holes.

- Locate the quarter points along the bottom of the horizontal
- Drill 5/16" weep holes at each location.

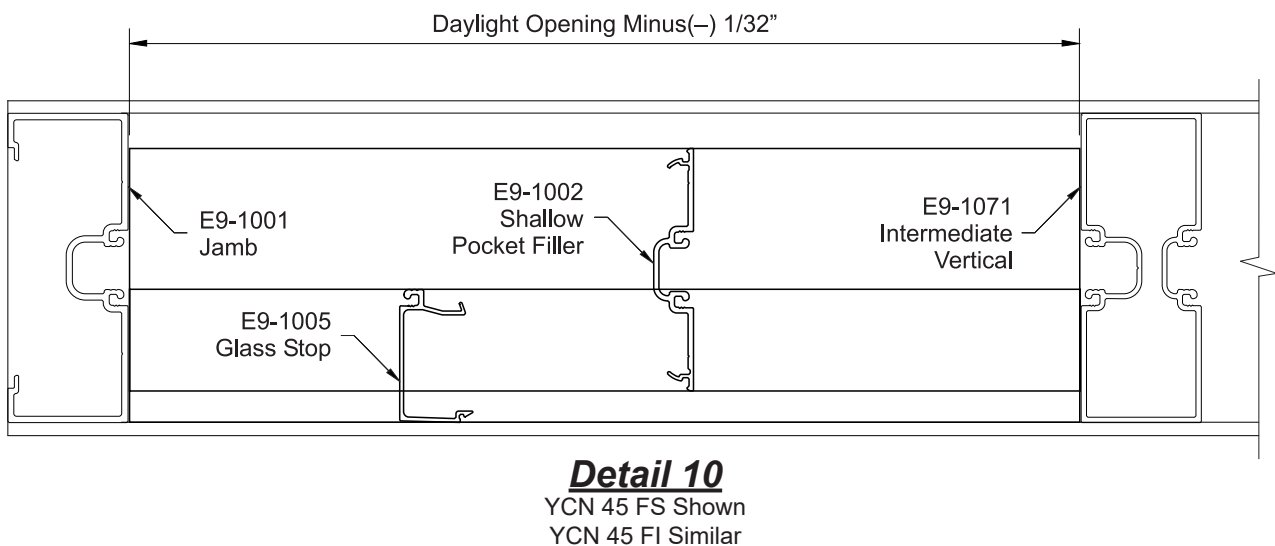
See **Detail 9**.



**STEP 9  
FABRICATE GLASS STOPS & GLAZING POCKET FILLERS  
FOR INTERMEDIATE HORIZONTALS**

- Cut glass stops for intermediate horizontals and sill fillers to the daylight opening minus(-) 1/32".
- Cut glazing pocket fillers for intermediate horizontals to the daylight opening minus(-) 1/32".

See **Detail 10**.





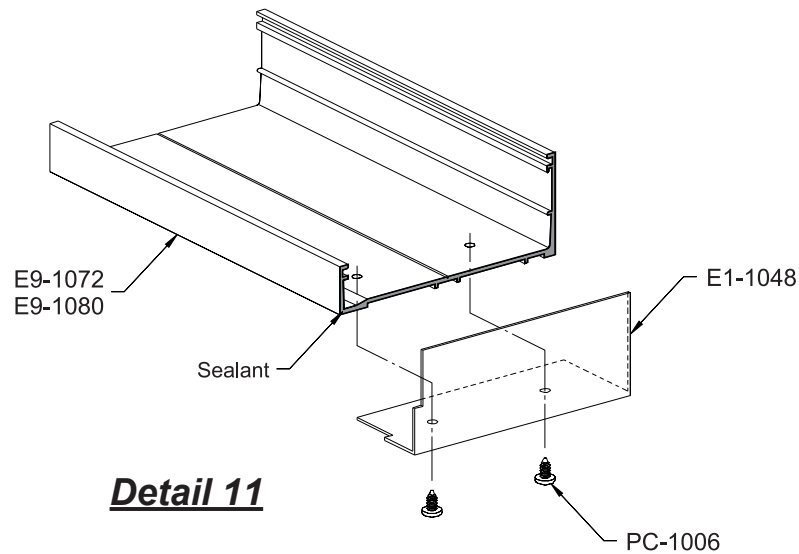
## FRAME INSTALLATION

### STEP 10 INSTALL HEAD & SILL RECEPTOR END DAMS

End dams are required at each end of head and sill receptors to provide a watertight installation.

- Apply (butter) sealant to the end of the head/sill receptor.
- Center the end dam, E1-1048, with the end of the head/sill receptor. The notched side of the end dam should be aligned with the shorter side of the receptor.
- Drill two 0.161" diameter (#20 drill bit) holes through both end dam and receptor as shown.
- Fasten the end dam to the head/sill receptor using two PC-1006 fasteners.

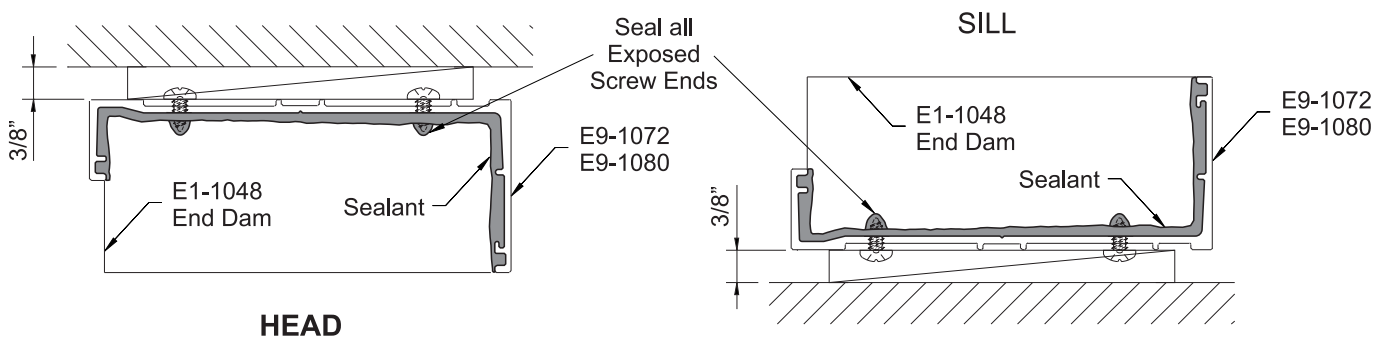
See **Detail 11**.



**Detail 11**

- Clean all sealant contact surfaces with a cleaner approved by sealant manufacturer.
- Apply and tool sealant to the joint between the end dam and the receptor to create a watertight joint.
- Apply and tool sealant to the fastener ends that penetrate the receptors.

See **Detail 12**.

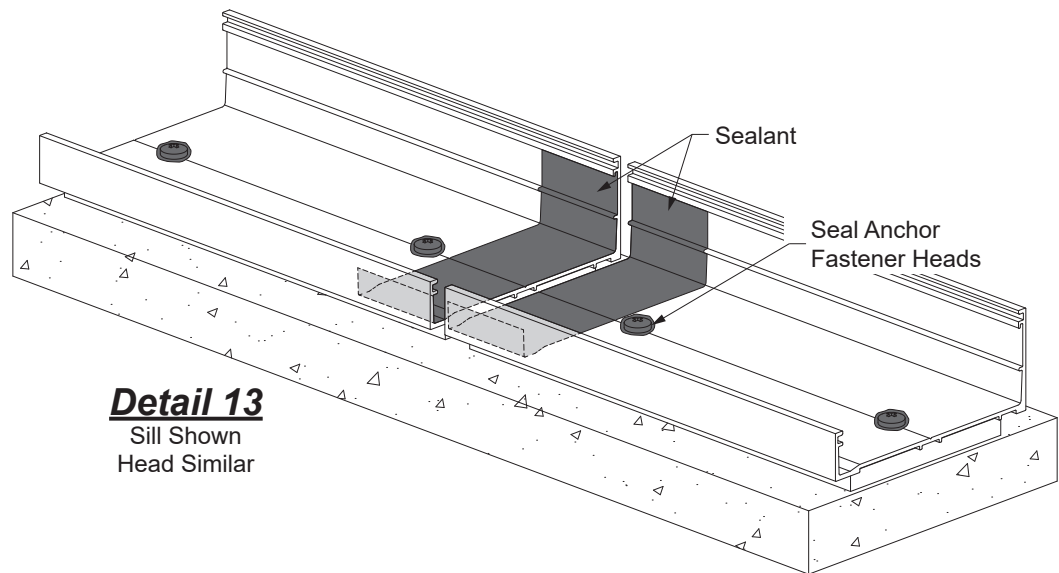


**Detail 12**

**FRAME INSTALLATION**

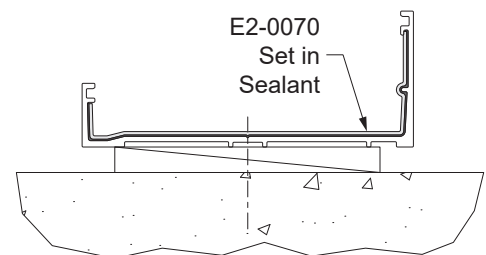
**STEP 11  
INSTALL HEAD & SILL RECEPTORS**

- Using building control lines, locate the inside face of the head and sill receptors.
- Check the vertical opening height along the length of each opening and locate the smallest dimension.
- Begin the installation at the smallest opening height and install a minimum 3/8" shim.
- Install anchors as called out on shop drawings or engineering calculations using the anchor holes previously drilled in **Step 3** on **Page 9**. Seal all anchor fastener heads.
- Always install a shim at each anchor location. As anchoring proceeds, shim as necessary to keep receptors parallel and level.
- Leave a 3/8" expansion joint at head and sill receptor splices.
- Bridge the joint between receptor sections with splice sleeve, E2-0070.
  - Clean all sealant contact surfaces using a cleaner approved by sealant manufacturer.
  - Seal the flashing at the splice location as shown in **Detail 13**, before positioning the flashing.



- Set the Silicone Splice Sleeve into the Silicone Splice Sleeve.
- Tool sealant tight as shown in **Detail 13A**, squeezing the sheet flat.

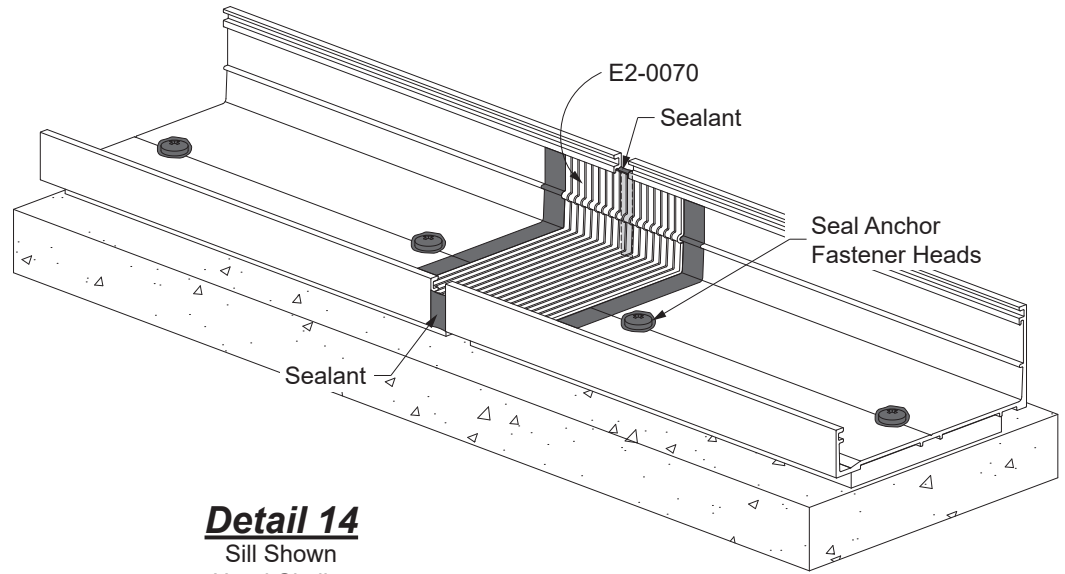
**Detail 13A**  
Sill Shown  
Head Similar



**FRAME INSTALLATION**

**STEP 11 (Continued)  
INSTALL HEAD & SILL RECEPTORS**

-Apply and tool sealant to the front and back faces of the joint between the receptors.  
See **Detail 14**.



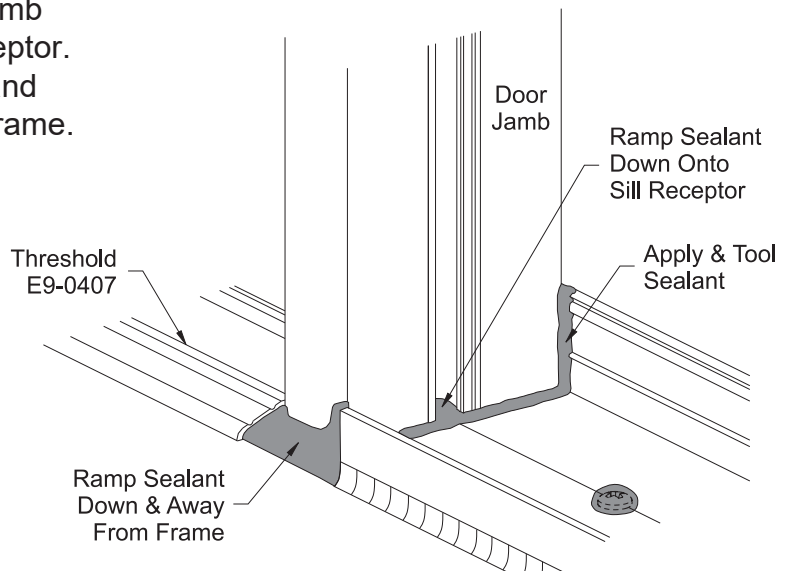
**Detail 14**  
Sill Shown  
Head Similar

**Sill Receptor at Door Frame:**

-The sill receptor terminates at the door jamb.  
-Center the door frame with the sill receptor and install the door frame as instructed in the **20D, 35D, & 50D Entrances Installation Manual**.

- Apply and tool sealant to the end of the receptor where it meets the door jamb.
- Apply sealant to the glazing pocket of the jamb and ramp the sealant down onto the sill receptor.
- Apply sealant to the front of the door jamb and ramp the sealant down and away from the frame.

See **Detail 15**.



**Detail 15**

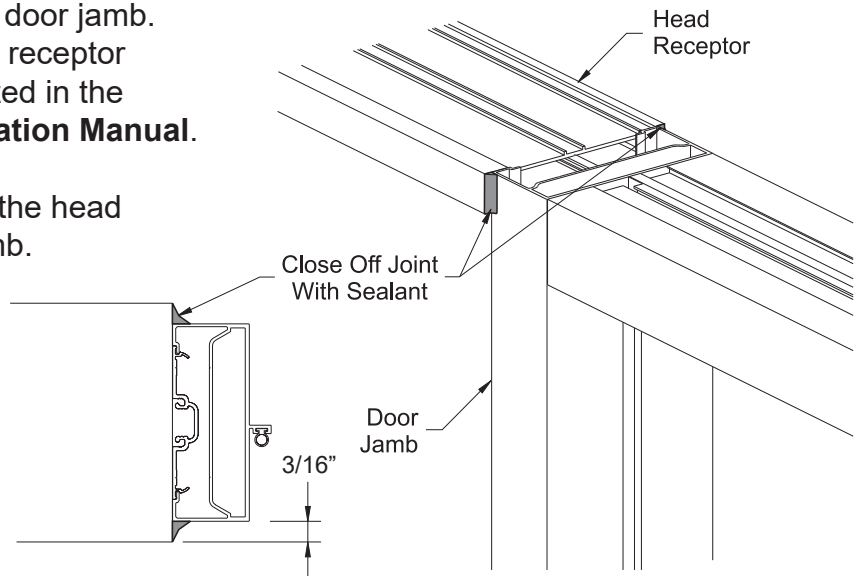
## FRAME INSTALLATION

### STEP 11 (Continued) INSTALL HEAD & SILL RECEPTORS

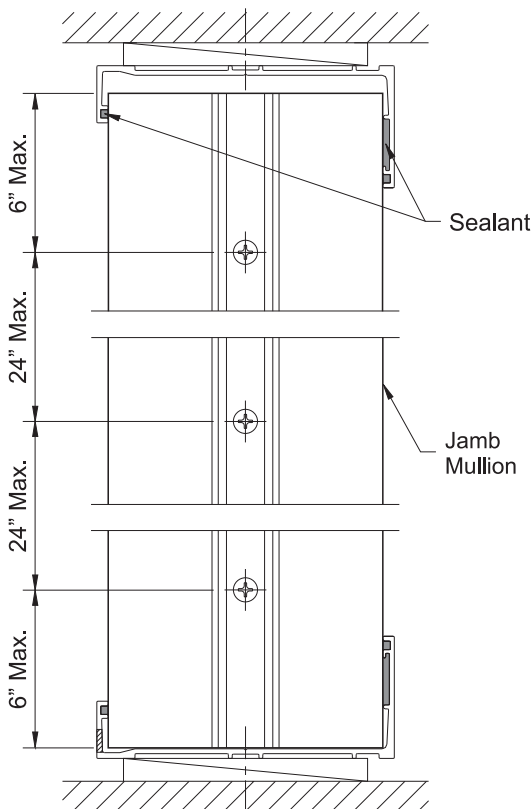
#### Head Receptor at Door Frame:

-The head receptor terminates at the door jamb.  
 -Center the door frame with the head receptor and install the door frame as instructed in the **20D, 35D, & 50D Entrances Installation Manual**.

-Apply and tool sealant to the end of the head receptor where it meets the door jamb.  
 See **Detail 16**.



**Detail 16**



**Detail 17**

### STEP 12 INSTALL JAMB MULLIONS

- Apply sealant to the head and sill receptor interior walls at the ends where the jambs are to be installed.
- Install the jamb into the head and sill receptor. Slide the jamb toward the end until contact is made with the end dam.
- Shim the jamb as required to ensure that it is plumb.
- Install flat head anchors within 6" of each end and then 24" on center maximum. Refer to approved shop drawings, or P.E. calculations for anchor fastener requirements.
- Seal the jamb member to the receptors. Make sure the excess sealant does not extend past the jambs. See **Detail 17**.

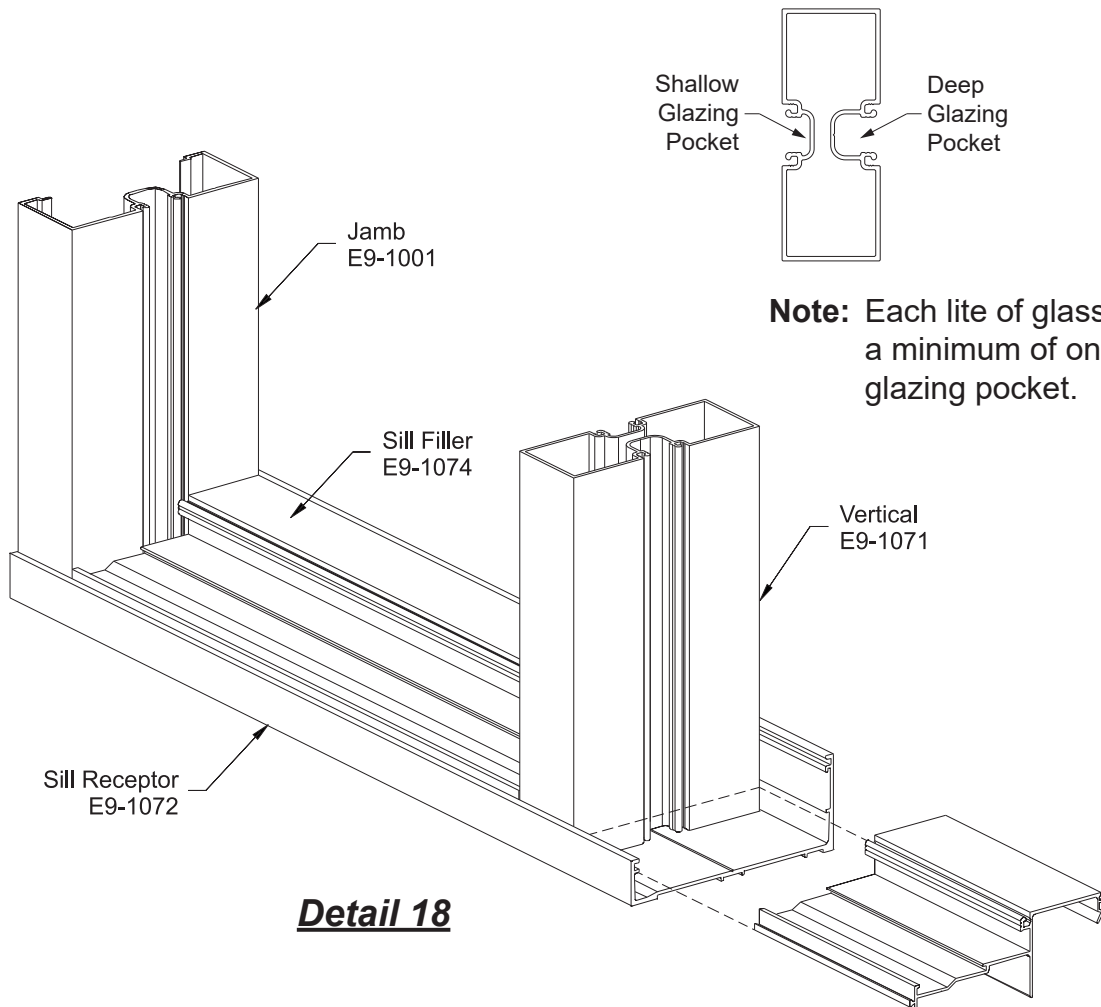
**FRAME INSTALLATION**

**STEP 13  
INSTALL INTERMEDIATE VERTICAL MULLIONS**

- Snap in the first head and sill fillers and slide them tight against the jamb.
- Stand the first intermediate vertical up in between the head and sill receptors and make sure that it is installed plumb and square.
- Snap in the next head and sill fillers and slide them tight against the intermediate vertical.
- Install the rest of the verticals and head and sill fillers using the same technique described above. All verticals must be installed plumb and square.

- Caution:**
- 1) Periodically check mullion to mullion dimension to avoid accumulating dimensional error.
  - 2) Install verticals so that each lite of glass has a minimum of one deep glazing pocket.

See **Detail 18**.



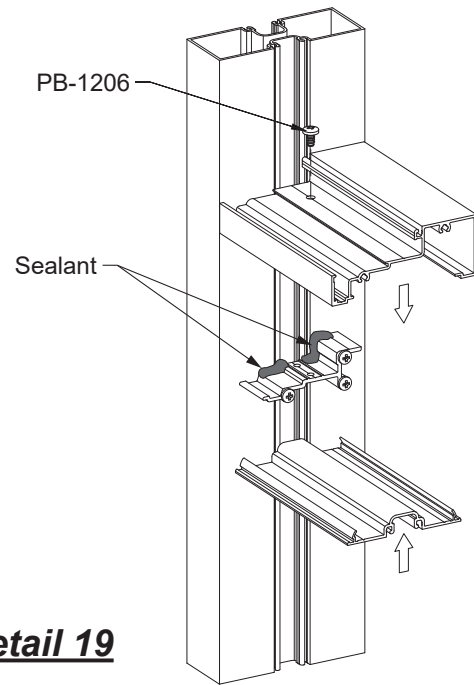
**FRAME INSTALLATION**

**STEP 14  
INSTALL INTERMEDIATE HORIZONTALS  
YCN 45 FS**

**For Outside Glazing:**

- Apply sealant to the joints between the shear blocks and the vertical to avoid water penetration.
- Attach the intermediate horizontals at each end with one fastener:  
PB-1206 for YCN 45 FS (1/4" glazing).
- Snap the glazing pocket filler into the underside of the horizontal.

See **Detail 19**.



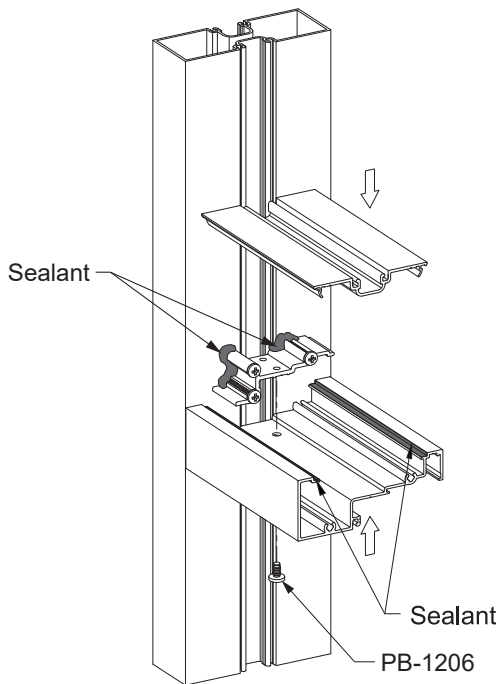
**Detail 19**

**INSTALL INTERMEDIATE HORIZONTALS**

**For Inside Glazing:**

- Apply sealant to the joints between the shear blocks and the vertical.
- Apply continuous sealant to the ends of the intermediate horizontal and slide the horizontal up into place.
- Attach the horizontal at each end with one PB-1206 fastener.
- Apply a bead of sealant to both legs of the horizontal snap leg.
- Snap the glazing pocket filler into the top of the horizontal.

See **Detail 20**.



**Detail 20**

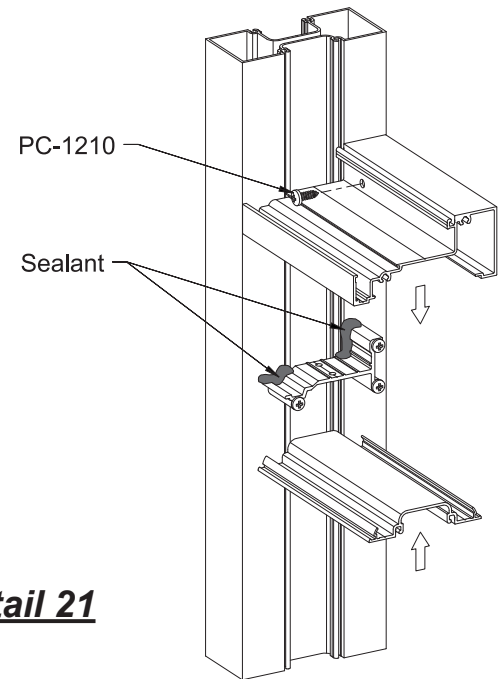
## FRAME INSTALLATION

### STEP 14 INSTALL INTERMEDIATE HORIZONTALS YCN 45 FI

#### For Outside Glazing:

- Apply sealant to the joints between the shear blocks and the vertical to avoid water penetration.
- Attach the intermediate horizontals at each end with one fastener:  
PC-1210 for YCN 45 FI (1" glazing).
- Snap the glazing pocket filler into the underside of the horizontal.

See **Detail 21**.



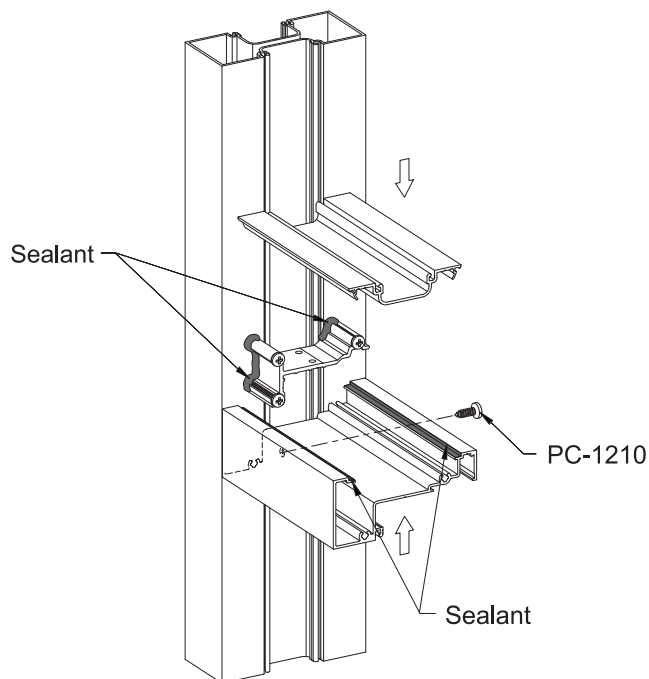
**Detail 21**

### INSTALL INTERMEDIATE HORIZONTALS

#### For Inside Glazing:

- Apply sealant to the joints between the shear blocks and the vertical.
- Apply continuous sealant to the ends of the intermediate horizontal and slide the horizontal up into place.
- Attach the horizontal at each end with one PC-1210 fastener.
- Apply a bead of sealant to both legs of the horizontal snap leg.
- Snap the glazing pocket filler into the top of the horizontal.

See **Detail 22**.



**Detail 22**

**FRAME INSTALLATION**

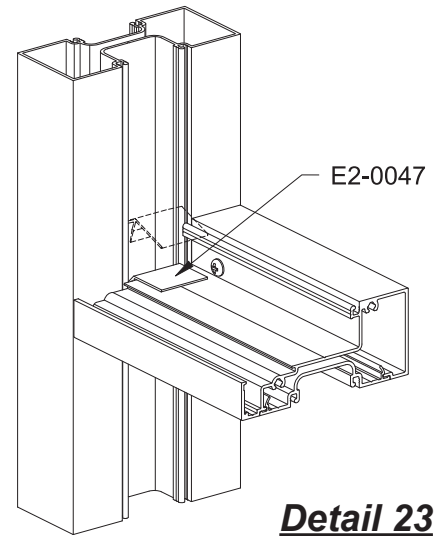
**STEP 15  
INSTALL WATER DEFLECTORS**

YCN 45 FS/FI requires the installation of water deflectors, E2-0047 (for 1" glazing) or E2-0048 (for 1/4" glazing), at each end of the intermediate horizontals. Water deflectors aid to properly divert water away from the framing system.

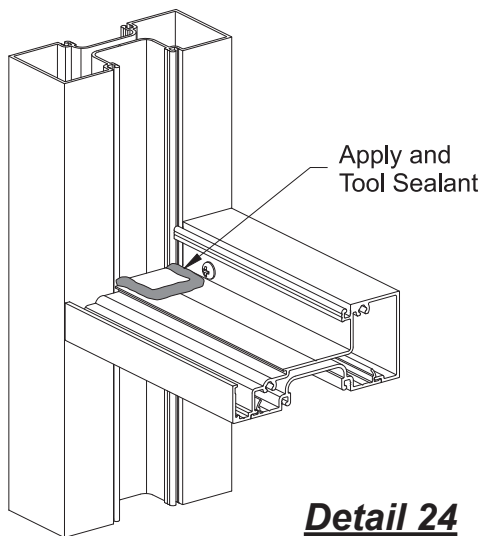
- Peel away the protective paper from the bottom of the water deflector, E2-0047, and install the water deflector by rotating it over each end of the horizontal.
- Position the vertical leg of the water deflector against the end of the horizontal.

**Note:** For best adhesion, make sure that the horizontal is clean and dry.

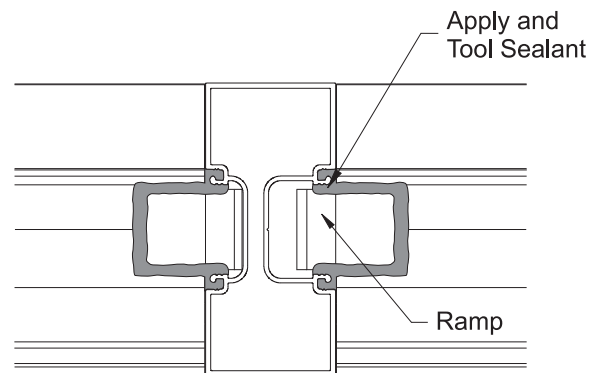
See **Detail 23**.



**Detail 23**  
1" Glazing Shown  
1/4" Glazing Similar



**Detail 24**  
1" Glazing Shown  
1/4" Glazing Similar



**Detail 25**  
1" Glazing Shown  
1/4" Glazing Similar

-Apply and tool sealant along the edges of the water deflector and down onto the horizontal.  
See **Detail 24**.

-Seal the ramp of the water deflector to the sides of the vertical gasket reglets.  
See **Detail 25**.

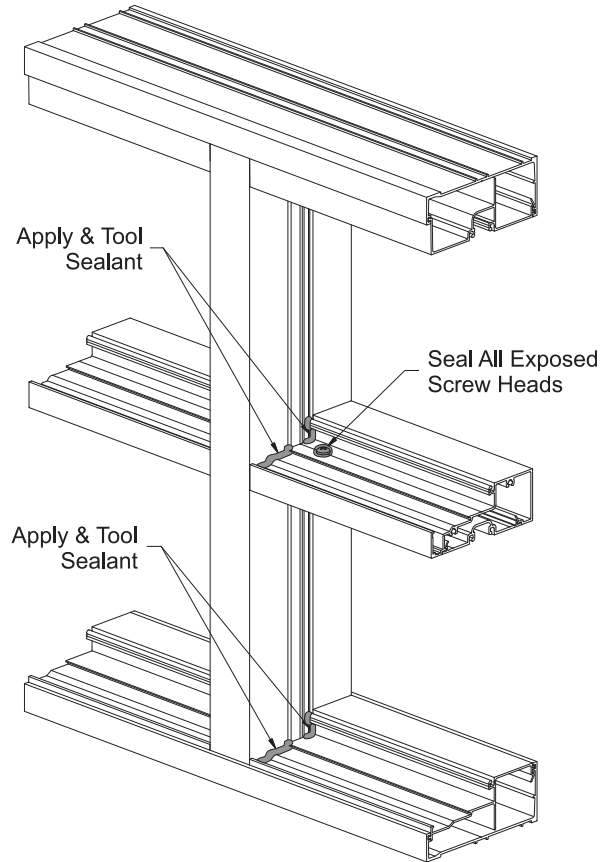


FRAME INSTALLATION

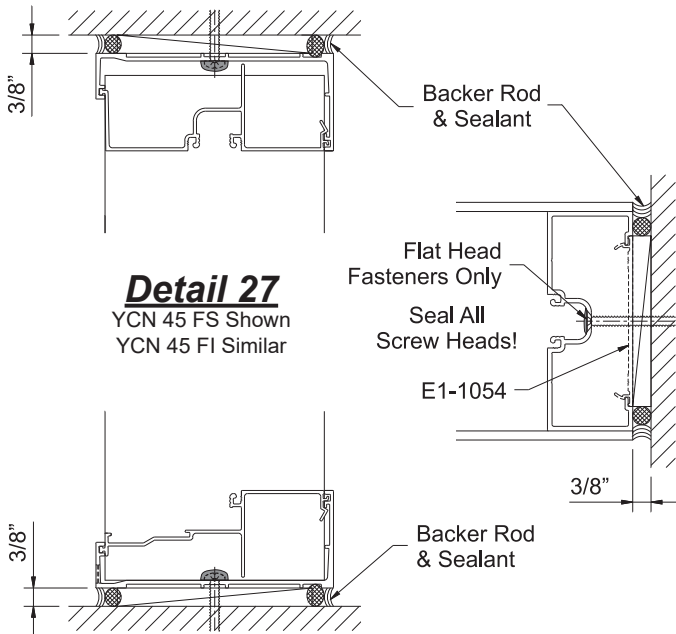
**STEP 16**  
**APPLY INTERNAL SEALANT**

- Apply a generous amount of sealant to the vertical intersection of the horizontal and vertical members.
- Tool all of the sealant to ensure a water tight joint.
- Apply and tool sealant to all exposed screw heads.

See **Detail 26**.



**Detail 26**  
YCN 45 FS Shown  
YCN 45 FI Similar



**Detail 27**  
YCN 45 FS Shown  
YCN 45 FI Similar

**STEP 17**  
**APPLY PERIMETER SEALANT**

- Install backer rod around the perimeter of the frame.
- Apply and tool perimeter sealant between the frame and the structure.
- Apply and tool sealant to all exposed screw heads.

See **Detail 27**.

## GLAZING

### STEP 18 (Optional) INSTALL GLAZING ADAPTORS

Glazing adaptors, E9-1039 and E9-1040, allow for glazing infills other than the standard 1/4" or 1". Please refer to the glazing tables on the right for possible adaptor/gasket combinations.

- Snap glazing adaptors into the interior gasket reglets of the verticals.
- Snap glazing adaptors into the interior gasket reglets of the horizontals.

-Apply and tool sealant to the joint between the vertical and horizontal glazing adaptors.

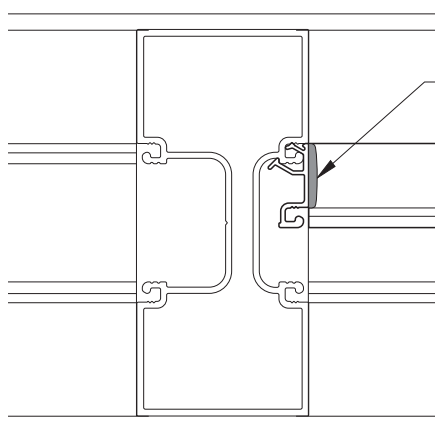
See **Detail 28**.

**Glazing Table - YCN 45 FS**

Glass Thickness	Exterior	Interior
3/16"	E2-0052	E2-0064
1/4"	E2-0052	E2-0052
5/16"	E2-0053	E2-0052
3/8"	E2-0053	E2-0053

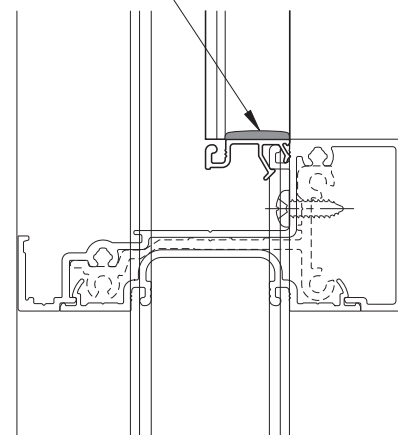
**Glazing Table - YCN 45 FI**

Glass Thickness	Adaptor	Exterior	Interior
3/16"	E9-1040	E2-0052	E2-0064
1/4"	E9-1040	E2-0052	E2-0052
5/16"	E9-1040	E2-0053	E2-0052
3/8"	E9-1040	E2-0053	E2-0053
1/2"	E9-1039	E2-0064	E2-0064
5/8"	E9-1039	E2-0052	E2-0052
3/4"	E9-1039	E2-0053	E2-0053
7/8"	—	E2-0064	E2-0064
1"	—	E2-0052	E2-0052



**VERTICAL**

Seal Corners of  
Glazing Adaptor



**HORIZONTAL**

**Detail 28**

Exterior Glazing Shown  
Interior Glazing Similar

## GLAZING

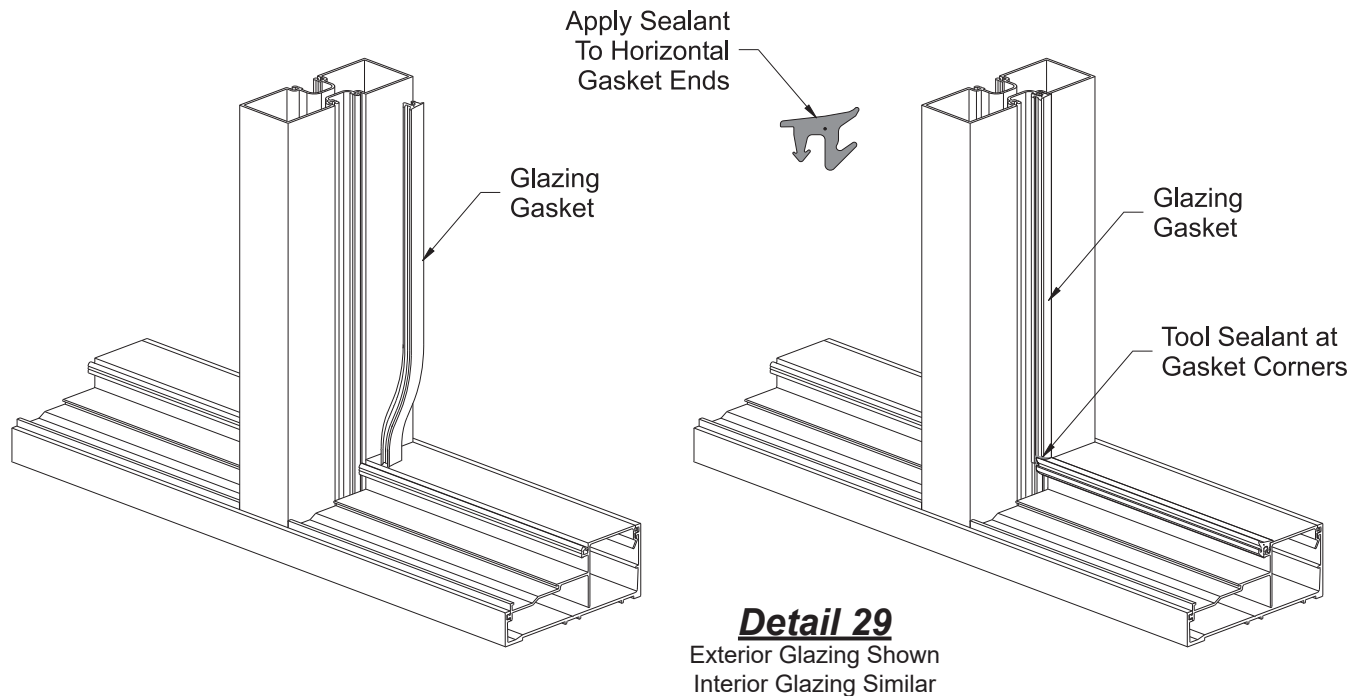
### STEP 19 INSTALL GLAZING GASKETS

For inside glazing: the exterior glazing gaskets must be installed prior to the glazing process.  
For outside glazing: the interior glazing gaskets must be installed prior to the glazing process.

-Using a small brush clean out any dirt that may have accumulated in the gasket reglets.

Vertical glazing gaskets must be installed first:

- Cut vertical glazing gaskets to Daylight Opening plus(+) 3/16" for each foot of length.
- Insert the gasket into the reglet at each end first, and then insert the gasket at the midpoint of the opening.
- Push the gasket into the reglet starting at the midpoint and work towards each end.



Install horizontal glazing gaskets next:

- Cut horizontal glazing gaskets to Daylight Opening plus(+) 3/16" for each foot of length.
  - Apply sealant to each end of the horizontal glazing gasket prior to inserting into the reglet.
  - Insert the gasket into the reglet at each end first and push each end tight against the vertical gasket.
  - Then insert the gasket at the midpoint of the opening and push the gasket into the reglet starting at the midpoint and work towards each end.
- Tool the excess sealant at the gasket corners to ensure a watertight seal.

See **Detail 29**.

## GLAZING

### STEP 20 INSTALL GLASS

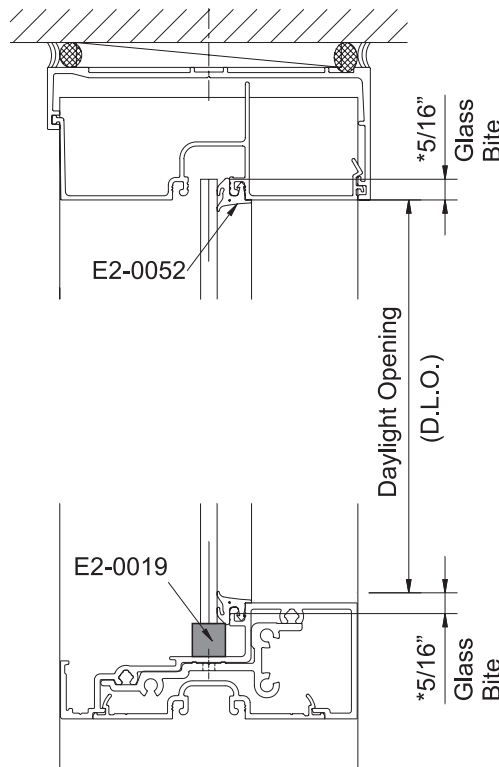
Determine the glass size:

	1/4" Glass Size	1" Glass Size
Vertical	D.L.O. + 5/8"	D.L.O. + 7/8"
Horizontal	D.L.O. + 5/8"	D.L.O. + 7/8"

- Install setting blocks at quarter points of horizontal D.L.O. or according to engineering calculations.
- Carefully install the glass into the opening: bring the lite up and into the deep pocket first and then rotate the other end in place.
- Make sure the glass is engaged with all setting blocks.

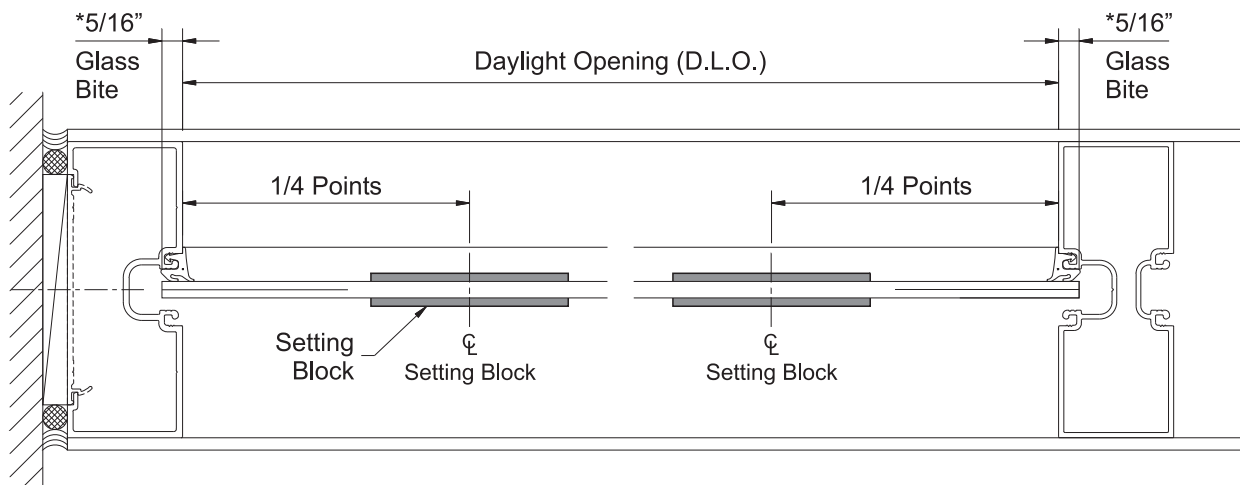
See **Detail 30**.

\*Note: For 1" glazing glass bite is 7/16".



### ***Detail 30***

YCN 45 FS Shown  
YCN 45 FI Similar



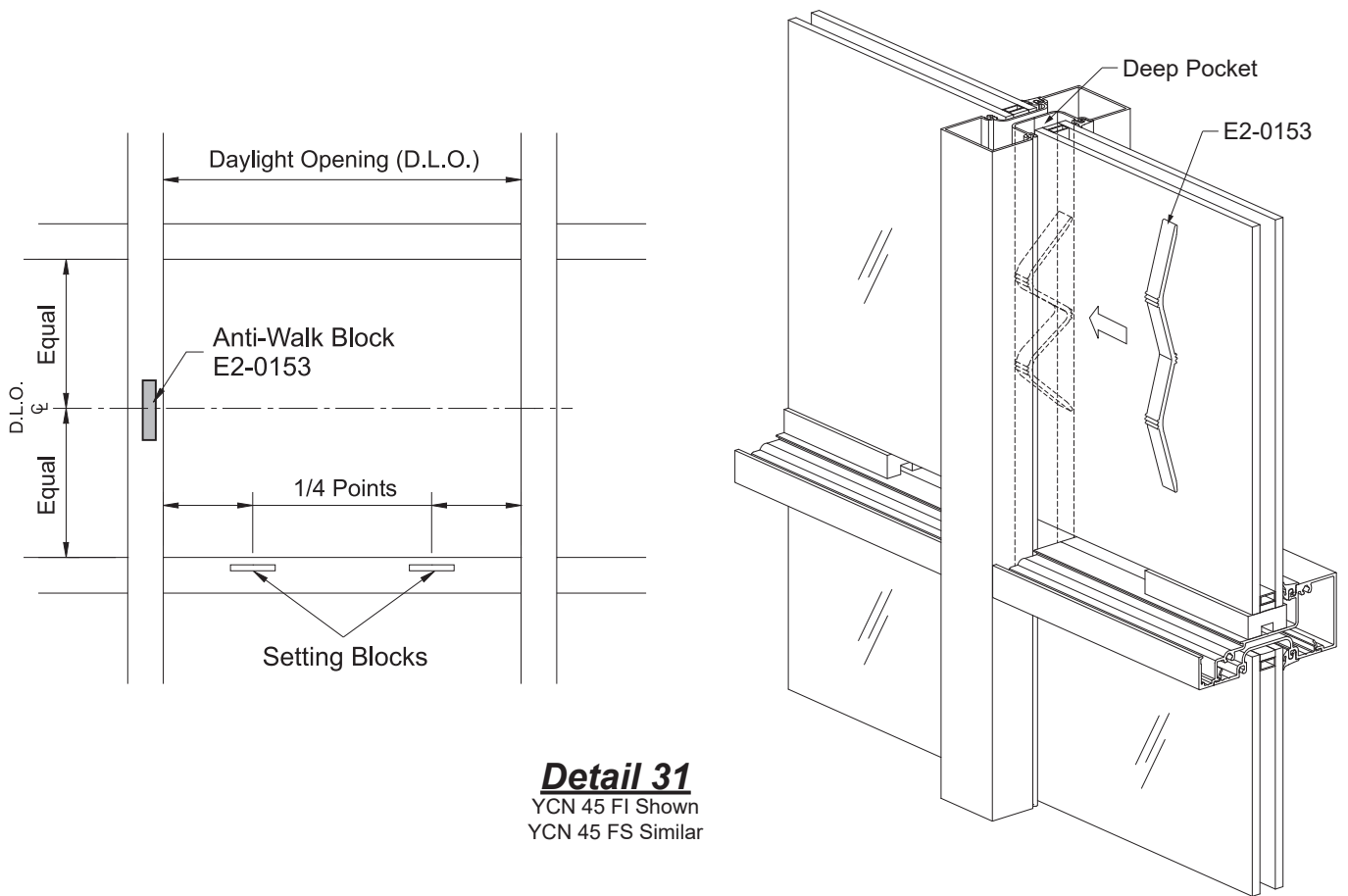
GLAZING

**STEP 21**  
**INSTALL ANTI-WALK BLOCKS**

YCN 45 FS and FI frames require the installation of an anti-walk block, E2-0153, in the vertical deep glazing pocket of each lite centered along the daylight opening.

-Flatten the anti-walk block against the exterior surface of the glass and push it into the opening between the glass and the mullion until it is released into the glazing pocket.

See **Detail 31**.



**Detail 31**  
YCN 45 FI Shown  
YCN 45 FS Similar

**GLAZING**

**STEP 22  
INSTALL GLASS STOPS**

**For Outside Glazing:**

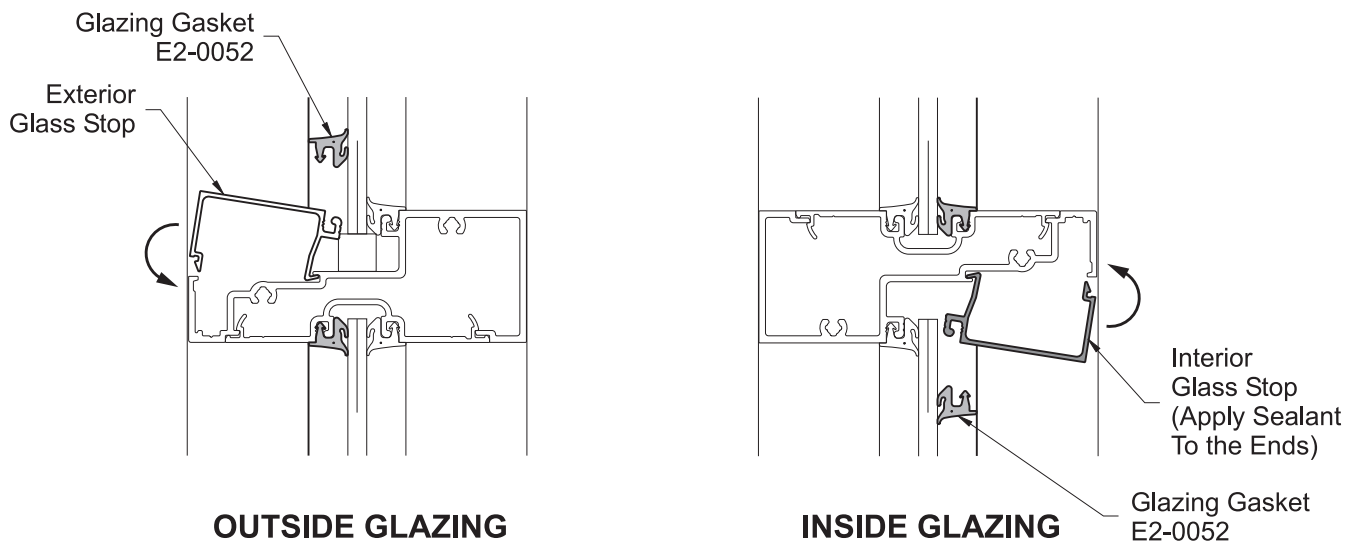
- Snap the exterior glass stops into place as shown in **Detail 32**.
- Install the exterior glazing gaskets using the same technique described in **Step 19 on Page 23**. Always install the vertical glazing gasket first.

Repeat **Steps 20 thru 22** until all lites are installed.

**For Inside Glazing:**

- Apply sealant to each end of the interior glass stop.
- Snap the interior glass stops into place as shown in **Detail 32**.
- Install the interior glazing gaskets using the same technique described in **Step 19 on Page 23**. Always install the vertical glazing gasket first.

Repeat **Steps 20 thru 22** until all lites are installed.



**Detail 32**  
YCN 45 FS Shown  
YCN 45 FI Similar





101 Marietta Street NW  
Suite 2100  
Atlanta, Georgia 30303  
[www.ykkap.com](http://www.ykkap.com)