



www.ykkap.com



Third Creek Middle School - Statesville, NC

25FD

Narrow Flush Panel Commercial Entrance System

The **Model 25FD** is a panel entrance available with a durable Fiber Reinforced Polyester resin (FRP) or an Aluminum Skin to meet both aesthetic and performance requirements of any project. Marine Grade high compression honeycomb core material provides superior performance. An aluminum skeleton in the form of a 4-1/2" backup tube with a minimum 1/8" wall thickness provides the strength necessary to resist abuse and maintain the integrity of the door. This strong skeleton eliminates the need for hardware specific reinforcement. The Model 25FD is designed to accept a variety of locking and hinging hardware for security and egress applications.

- 1-3/4" door panel will mount easily into YKK AP entrance frames
- Locking hardware options include Rim Panics, Latch Locks and Maximum Security Locks
- Doors are available pre-glazed with 1/4" monolithic or 1" insulating glass
- Standard and custom hardware options
- Aluminum skins or exterior grade FRP skins (shown to left) provide resistance to fading
- Aluminum louvers are also available

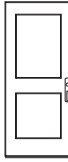



Door Leaf:

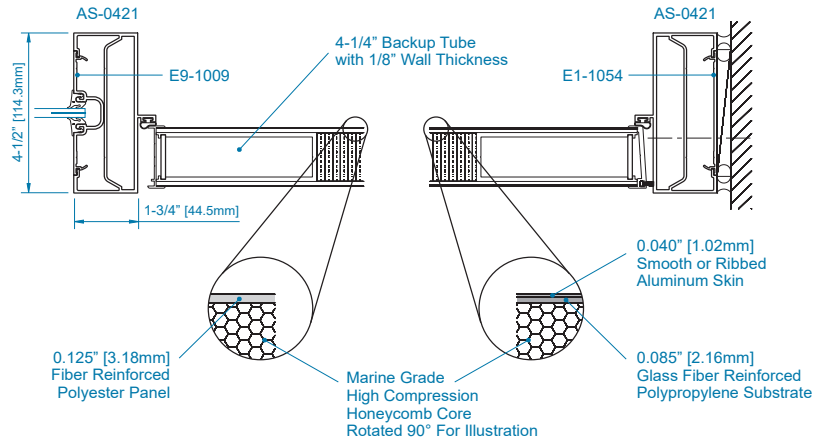
Glazing	Glass Setting	Installation
Outside	Center Set	Single or Pair



25FD SPECS		
System Stile	2-1/2" - Narrow	
Door Config	Outside Glazed / Center Set	
Tested Glass	1" IGU with Low-E (C.O.G. U-Factor: 0.29)	
Test	Results	Standards
Air Infiltration	Single: 0.50 CFM/FT ² (1.10 m ³ /h·m ²) Pair: 1.00 CFM/FT ² (1.10 m ³ /h·m ²) @ 6.24 PSF (299 Pa)	ASTM E 283
Structural Uniform Load	Single: +75/-50 PSF	ASTM E 330
Structural Performance	Door corner structural strength shall be tested per YKK AP's dual moment test procedure and certified by an independent testing lab to ensure corner integrity and weld compliance. Certified test procedures and results are available upon request.	

Finish Options	
Type	Standard
Aluminum Skin	Clear and Dark Bronze
FRP Skin	White, Beige, Grey and Dark Bronze

Configurations			
			
Glass	Bottom Full Panel	Bottom Half Panel	Top Full Panel



Standard Entrance Hardware

Smart Series Push/Pull Devices

The one inch diameter push/pull provides flexibility and occupant safety. The pull handle is open to permit access to the lock cylinder, but is slightly angled to provide a uniquely modern look. The push bar starts at the locking stile, but then has an ergonomic "S-Bend" toward the locking stile to bring the bar closer to the door where it is captured by an end cap. This innovative push bar also accommodates custom width openings.

H-1141/1142/1143 Push/Pull Device



H-1341/1541/1542 Pull Handles



Exit/Panic Devices

The modern and economical standard touch bar exit devices are ideally suited for all applications that require emergency egress. The devices are ANSI Grade 1, carry the UL label and are approved for Life Safety. Both the rim and concealed devices feature single point dogging and are available with electric actuation.

P-54453 Rim Panic Device



You can view all of our standard entrance hardware options by selecting the entrance hardware data sheets on our product guide at www.ykkap.com



Additional information including CAD details, CSI specs, test reports and installation instructions are found on the Product Guide by clicking this link or visiting www.ykkap.com/commercial/productguide