

YKK AP

www.ykkap.com



Findlay Market - Cincinnati, OH

YES 40 FS/FI

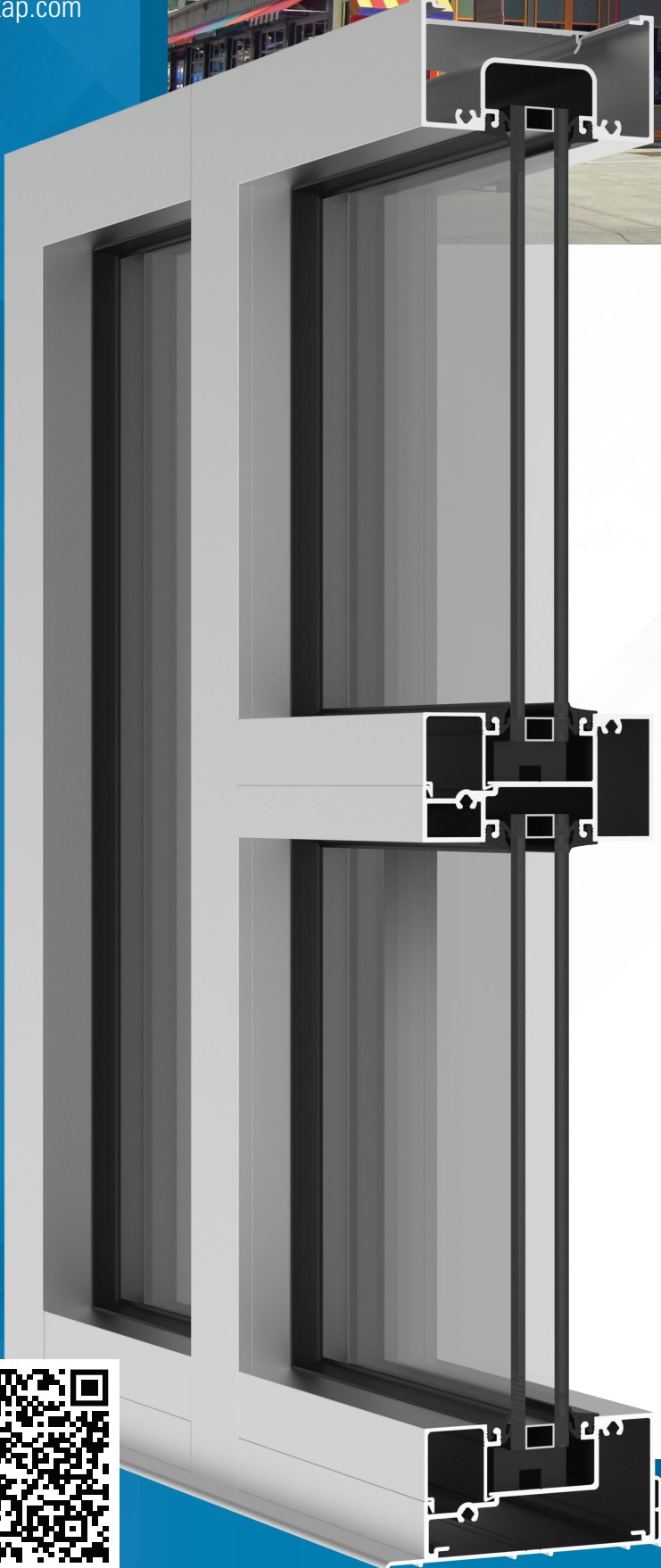
Center Set Storefront System with Monolithic or Insulating Glass

The **YES 40 FS** (1-3/4" x 4") is a center set, flush glazed framing systems designed primarily for 1/4" glass or infill panels 1/4" to 3/8" thick. The **YES 40 FI** (2" x 4") (shown) is a center set, flush glazed framing system developed for 1" insulating glass and other types of infill panels of varying thicknesses. Both systems will accommodate YKK AP's hinged mullions, as well as our flexible mullion; these mullions allow more creative freedom where curves and angles become a functional part of the design.

- Gasket With Stretch-Resistant Cord
- 1/4" or 1" Standard Insulating Glazing with several glass infill options
- Stick built assembly with concealed fasteners by Screw Spline or Shear Block
- Integrates with our YKK AP Entrances

Configuration:

Glazing	Glass Setting	Installation
Outside	Center Set	Screw Spline or Shear Block

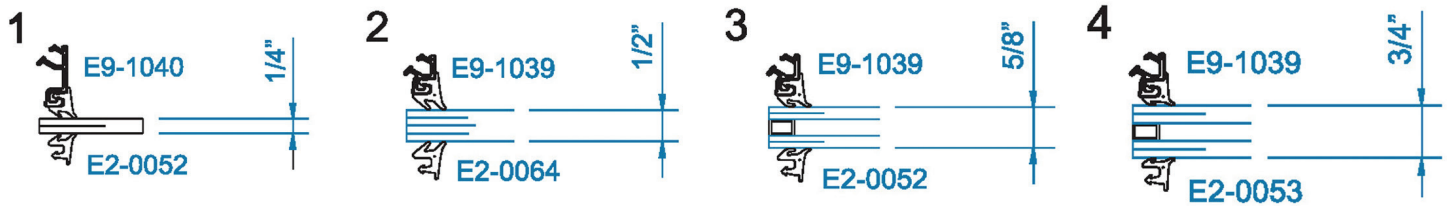


YES 40 FS/FI SPECS		
Base Depth	4"	
Sightline	1-3/4" (FS) 2" (FI)	
Config	Outside Glazed / Center Set	
Tested Glass	1" IGU with Low-E (C.O.G. U-Factor: 0.29)	
Test	Results	Standards
Air Infiltration	0.06 CFM/FT ² (1.10 m ³ /h·m ²) @ 6.24 PSF (299 Pa)	ASTM E 283
Water Infiltration	(FS) Static: 10 PSF (479 Pa) (FS) Static: 12 PSF (575 Pa)	ASTM E 331 AAMA 501

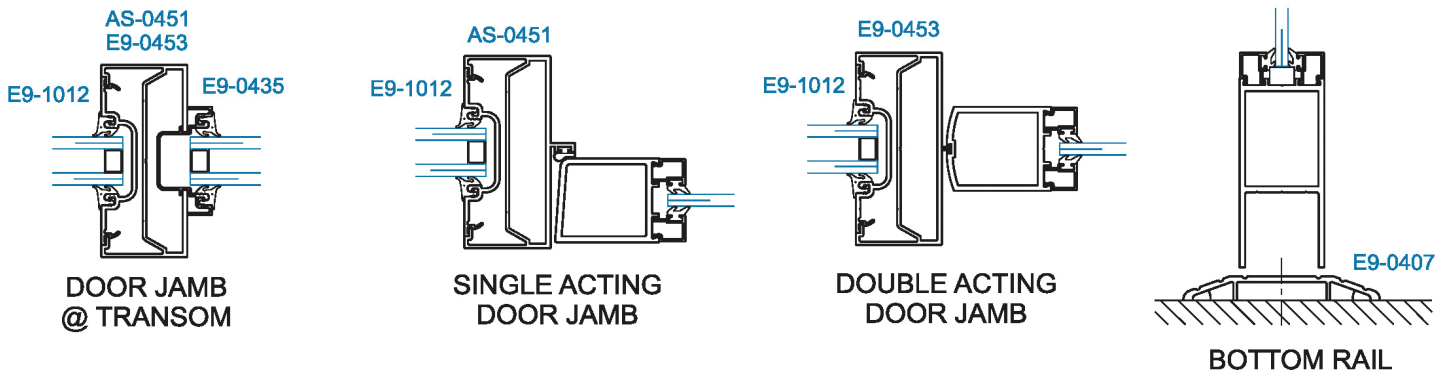
Finish Options	
Type	Standard
Factory Anodized	AAMA 612
Organic Paints	AAMA 2604 AAMA 2605

Various System Options
Sidelite Bases, Glass Infills, Expansion Mullion

FI Glass Infill Options



FI Entrance Options



The Borghese - Atlanta, GA



QS / 1 Data Systems - Spartanburg, SC

Additional information including CAD details, CSI specs, test reports and installation instructions are found on the Product Guide by clicking this link or visiting www.ykkap.com/commercial/productguide