

YKK ap[®]

www.ykkap.com



The One Hotel/Spa Castle - Carrollton, TX

YES 45 CS/CI

Can/Ribbon Storefront System with Monolithic or Insulating Glass

These systems are center glazed can systems with Monolithic (CS) or Insulating Glass (CI) designed to provide the appearance of standard storefront while providing the benefits of a ribbon window system. Head and sill members are installed in a continuous fashion to provide uninterrupted protection against water infiltration. Vertical members are simply stacked into the head and sill, eliminating the requirement of fasteners and thereby reducing fabrication and installation labor.

- Outside and Inside Glazing options
- Heavy Duty Mullion option and steel reinforcing available
- Can/Ribbon built by stacking verticals into a continuous head and sill member
- Integrates with our 20D/35D/50D Entrances
- Gasket with stretch-resistant cord to help keep secure glass in the mullion pockets
- Glazing Adaptors for various glass sizes

Configuration:

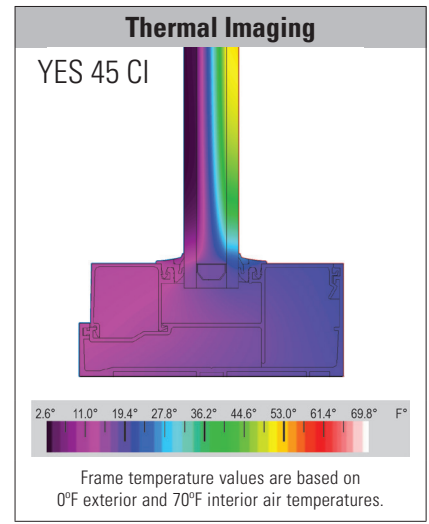
Glazing	Glass Setting	Installation
Outside or Inside	Center Set	Shear Block on Horizontals, Continuous Head and Sills



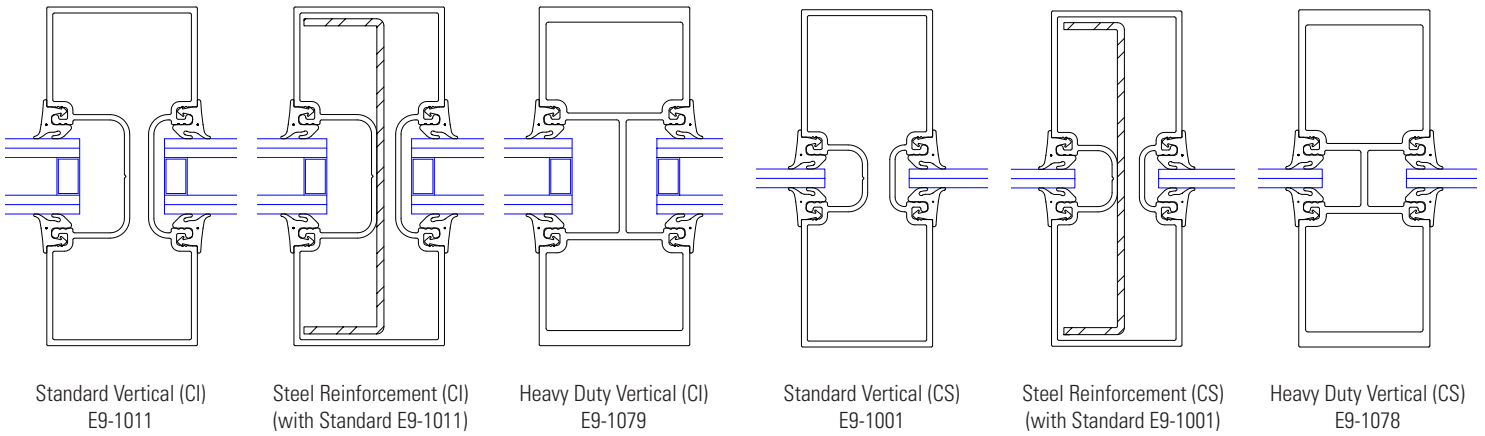
YES 45 CS/CI SPECS		
Base Depth	4-1/2"	
Sightline	1-3/4" (CS) and 2" (CI)	
Config	Outside or Inside Glazed / Center Set	
Tested Glass	1" IGU with Low-E (C.O.G. U-Factor: 0.29)	
Test	Results	Standards
Air Infiltration	0.06 CFM/FT ² (1.10 m ³ /h·m ²) @ 6.24 PSF (299 Pa)	ASTM E 283
Water Infiltration	Static: 10 PSF (478 Pa)	ASTM E 331 AAMA 501

Finish Options	
Type	Standard
Factory Anodized	AAMA 612
Organic Paints	AAMA 2604 AAMA 2605

Various Options
Deep and Shallow Pocket Fillers, 90° Inside and Outside Corners, Heavy Duty Verticals
Glass Adaptor Sizes
3/16", 1/4", 5/16", 3/8", 5/8", 3/4"

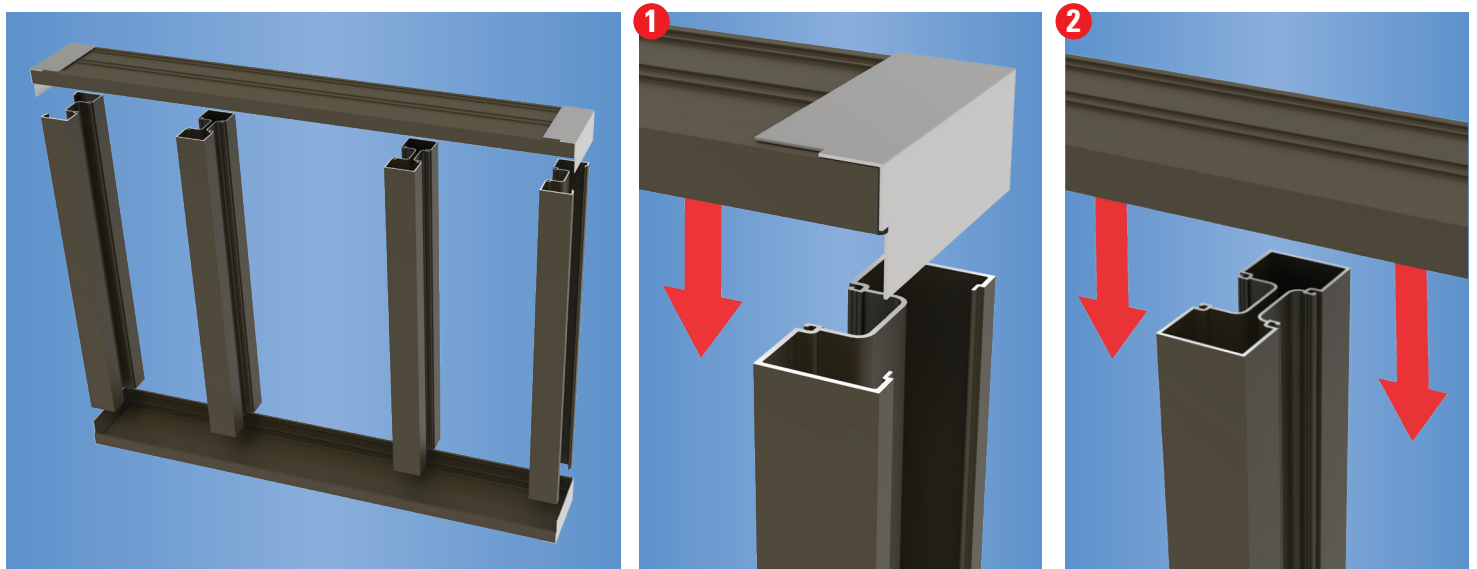


System Mullion Options



Build with Efficiency

In a Can/Ribbon configuration, the head and sill are continuous, meaning you are **1** placing in the jambs/verticals with the head and sill receptors, creating a base frame. **2** Then you insert the intermediate verticals into connecting receptors and splice/seal critical areas. This makes installation faster and easier, while using less parts. Please refer to the installation instructions for specifics on installing the YES 45 CS or CI systems.



Additional information including CAD details, CSI specs, test reports and installation instructions are found on the Product Guide by clicking this link or visiting www.ykkap.com/commercial/productguide