

YKK AP[®]

www.ykkap.com



YES 45 FS

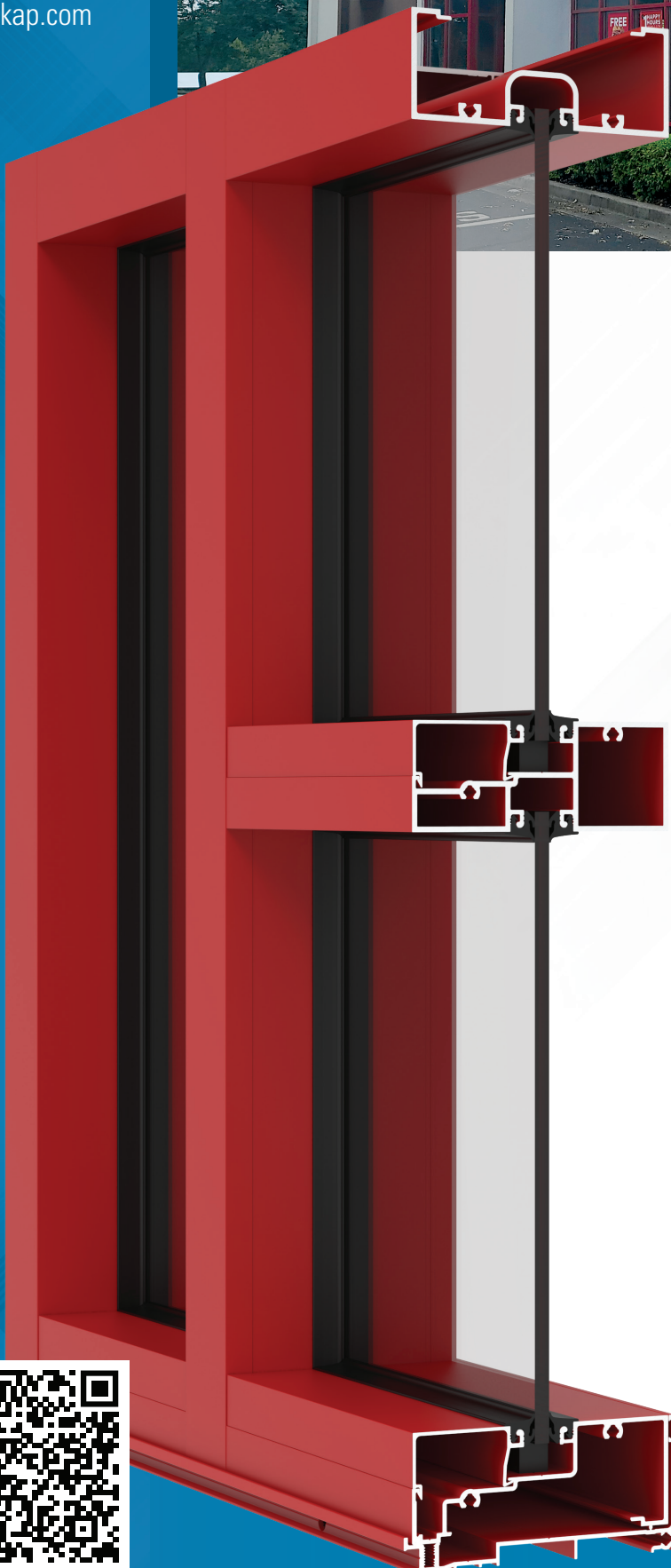
Flush Glazed, Center Set Storefront System with Monolithic Glass

The **YES 45 FS** is a center set, flush glazed framing system developed for 1/4" monolithic glass and 3/8" infill panels. The system will accommodate our hinged storefront mullion, as well as an expansion mullion; these mullions allow more creative freedom where curves and angles become a functional part of the design.

- Outside and Inside Glazing options
- High Performance Sill Flashing
 - ◆ No blind seals
 - ◆ Tall back leg for enhanced water resistance
 - ◆ Patented 3-point attachment of end dam
- Screw Spline and Shear Block options, along with a Can/Ribbon configuration
- Integrates with our YKK AP Entrances and Sun Control Systems

Configuration:

Glazing	Glass Setting	Installation
Outside or Inside	Center Set	Screw Spline, Shear Block or Can/Ribbon



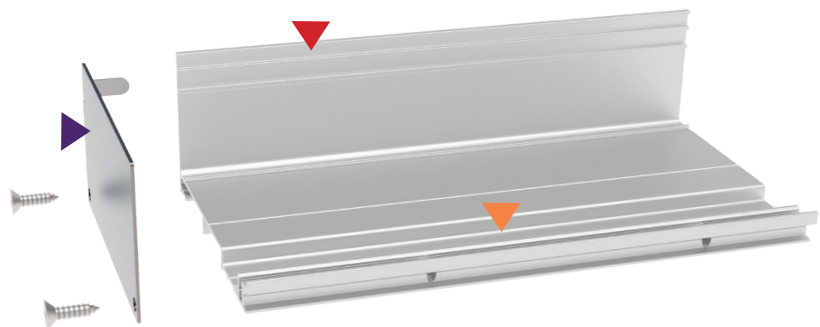
YES 45 FS SPECS		
Base Depth	4-1/2"	
Sightline	1-3/4"	
Config	Outside & Inside Glazed / Center Set	
Tested Glass	1/4" IGU with Low-E (C.O.G. U-Factor: 0.29)	
Test	Results	Standards
Air Infiltration	0.06 CFM/FT ² (1.10 m ³ /h·m ²) @ 6.24 PSF (299 Pa)	ASTM E 283
Water Infiltration	Static: 10 PSF (479 Pa)	ASTM E 331 AAMA 501

Finish Options	
Type	Standard
Factory Anodized	AAMA 612
Organic Paints	AAMA 2604 AAMA 2605

Various System Options
Sidelite Bases, Glass Infills, Expansion Mullion, 90°, 135° and 158° Static Mullions, Hinged Mullions

Sill Flashing Design

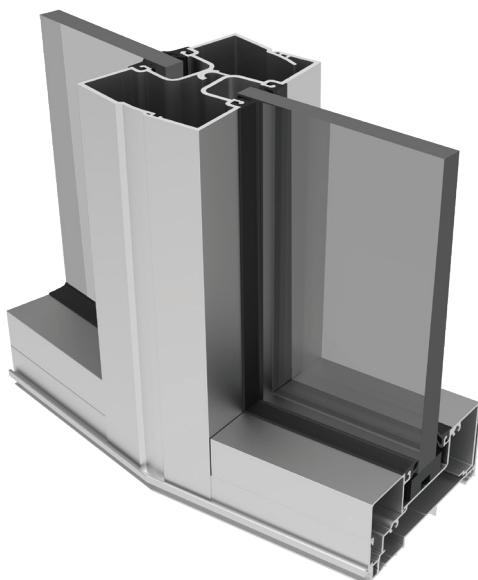
- ▶ 2" back leg on sill flashing – enhanced water resistance in the field and in water testing
- ▶ Three point attachment of end dam, with a foldable tab and two screws into flashing splines
- ▶ No sill anchoring required if end reaction is less than 500 lbs
- No secondary penetration of sill and flashing when properly sealed



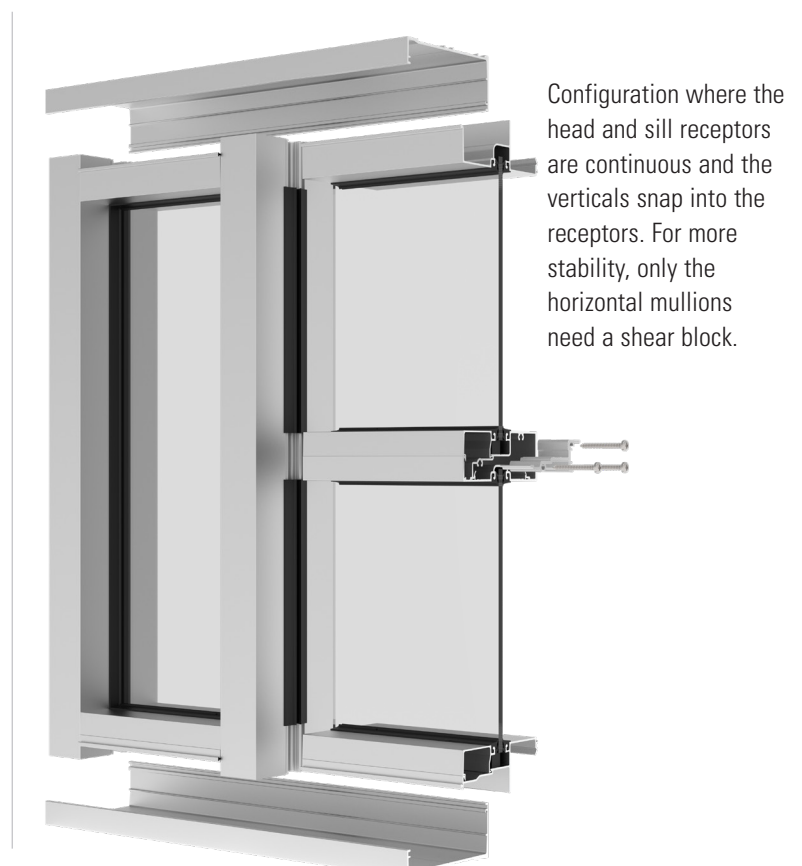
Hinged Mullions

With the use of our hinged mullion setup, the YES 45 system direction can be changed to allow angles and curves to create more aesthetic and functional design with your building project. The 3 mullion options available are: 93-133 degrees, 134-170 degrees and 165-180 degrees. Combined with a 90, 135 or 158 degree static mullion, the design possibilities are endless.

You can view details for the hinged mullions on the [Product Guide](#).



Can/Ribbon Configuration



Additional information including CAD details, CSI specs, test reports and installation instructions are found on the Product Guide by clicking this link or visiting www.ykkap.com/commercial/productguide