

YKK aP

www.ykkap.com

ProTek

YKK AP Hurricane & Blast Solutions



Margaritaville Beachfront Hotel - Jacksonville Beach, FL

YHS 50 FS

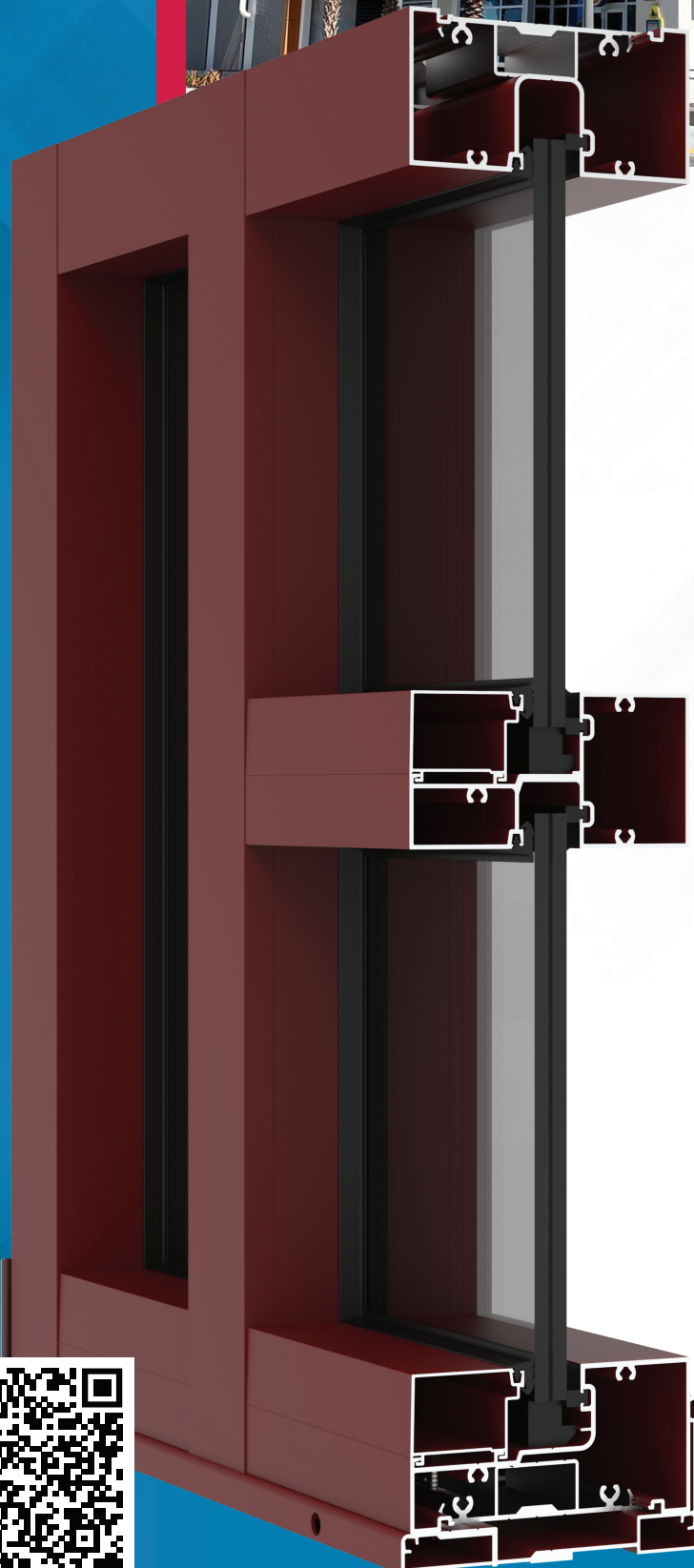
Impact Resistant and Blast Mitigating Monolithic Storefront System

The **YHS 50 FS** is a high performance storefront system designed for monolithic glass that can be 9/16" thick. With varied infill and components, the YHS 50 can meet the requirements of both Impact Resistance and Blast Mitigation. The system integrates with YKK AP sun control products, vents and the H or HL Series entrances. The entrances feature a wide variety of tested and approved hinging and locking hardware, including rim panic and concealed exit devices.

- **Hurricane Impact** - Large & Small Missile
- Wind Zone 3 & FPA/Florida HVHZ
- **Blast Mitigation** - Static and Dynamic Analysis capability to meet DoD, GSA and VA standards
- Spans up to 144"; accomodates glass sizes up to 50 square feet
- Engineered corners reduce job time
- Design Pressures up to 90 psf
- Inside Glazing option can lower costs in above grade applications; solves rough terrain and difficult street access issues

Configuration:

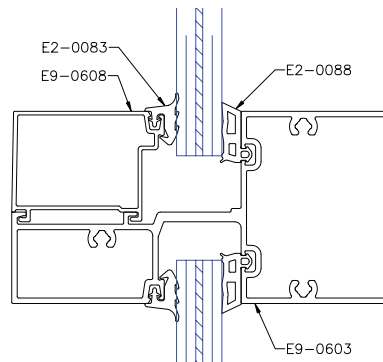
Glazing	Glass Setting	Installation
Outside & Inside	Center Set	Screw Spline



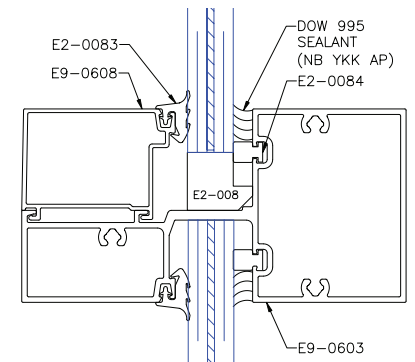
YHS 50 FS SPECS		
Base Depth	5"	
Sightline	2-1/2"	
Config	Inside (Dry), Outside (Wet/Dry) / Center Set	
Tested Glass	9/16" Monolithic IGU with Low-E (C.O.G. U-Factor: 0.29)	
Test	Results	Standards
Air Infiltration	0.06 CFM/FT ² (1.10 m ³ /h·m ²) @ 6.24 PSF (299 Pa)	ASTM E 283
Water Infiltration	Static: 12 PSF (575 Pa)	ASTM E 331

Finish Options	
Type	Standard
Factory Anodized	AAMA 612
Organic Paints	AAMA 2605

Product Approvals	
Missile Level A, D	Wind Zone 3
Hurricane HVHZ	International ICC
Florida FBC	Texas TDI



Outside, Dry Glazed

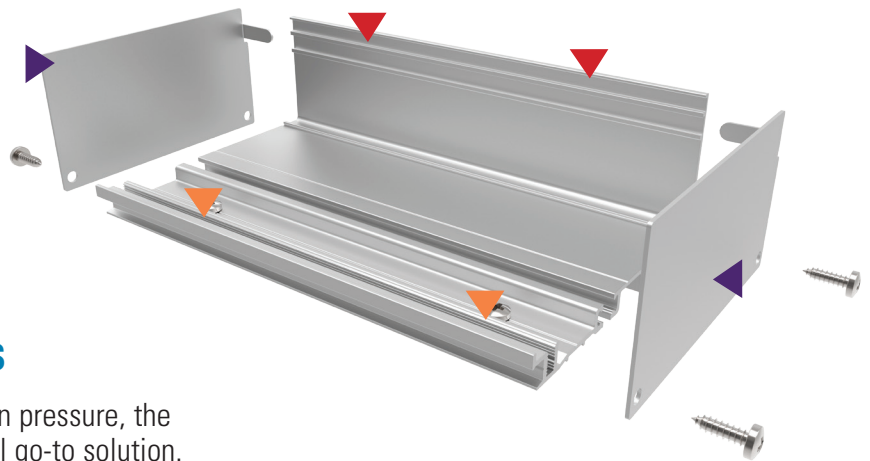


Outside, Wet Glazed

Also, an Inside, Dry Glazed configuration is available

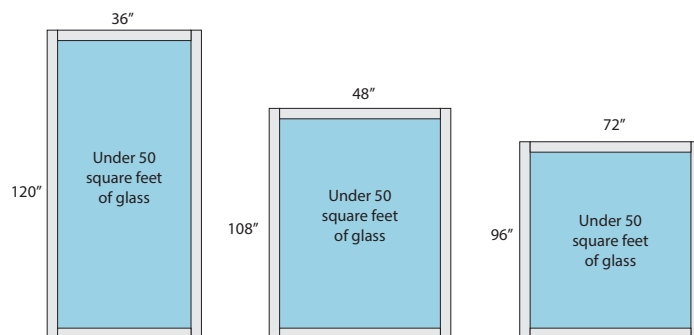
Sill Flashing Design

- ▶ Taller back leg on sill flashing – enhanced water resistance in the field and in water testing
- ▶ Three point attachment of end dam, with a foldable tab and two screws into flashing splines
- ▶ No blind seals eliminates secondary penetration of sill and flashing when properly sealed



Higher Spans, Higher Pressures

With up to 144" tall spans and up to 90 psf design pressure, the YHS 50 FS is your impact, monolithic, non-thermal go-to solution.



Span examples at 90 PSF with E9-0605/E9-0606. Refer to the Design Manual for official Windload and Deadload Charts.

Storefront Impact Comparison

System	.060 SentryGlass 50 PSF	Design Pressure			144" Span	108" to 120" Spans	Impact Testing	
		50 PSF	65-70 PSF	90 PSF			Missile A & D	Risk Category IV Essential Facilities
YHS 50 FS								
YHS 50 FI								
YHS 50 TU								

Additional information including CAD details, CSI specs, test reports and installation instructions are found on the Product Guide by clicking this link or visiting www.ykkap.com/commercial/productguide