



www.ykkap.com



ECSU Gilchrist Building - Elizabeth City, NC

# YWW 45 TU

## High Performance, Thermally Broken Window Wall System

The **YWW 45 TU** is designed to meet the performance requirements of window walls for multi-story buildings. Glass is set to the front to maximize thermal performance and may be glazed from either the interior of the building for labor savings or from the exterior at column line applications. The system is thermally broken by YKK AP's patented ThermaBond Plus® poured and de-bridged technology. It may be installed with head and sill members running continuously or with the head and sill members cut in between the vertical members. Sill flashing is only required when the head and sill members are cut in between the verticals.

- Optional SSG Intermediate Vertical
- 1" Glazing Standard with 1/4" Infill Option
- Strap & Roll-Over Anchors are available for Precast Conditions
- Integrates with our YKK AP Entrances

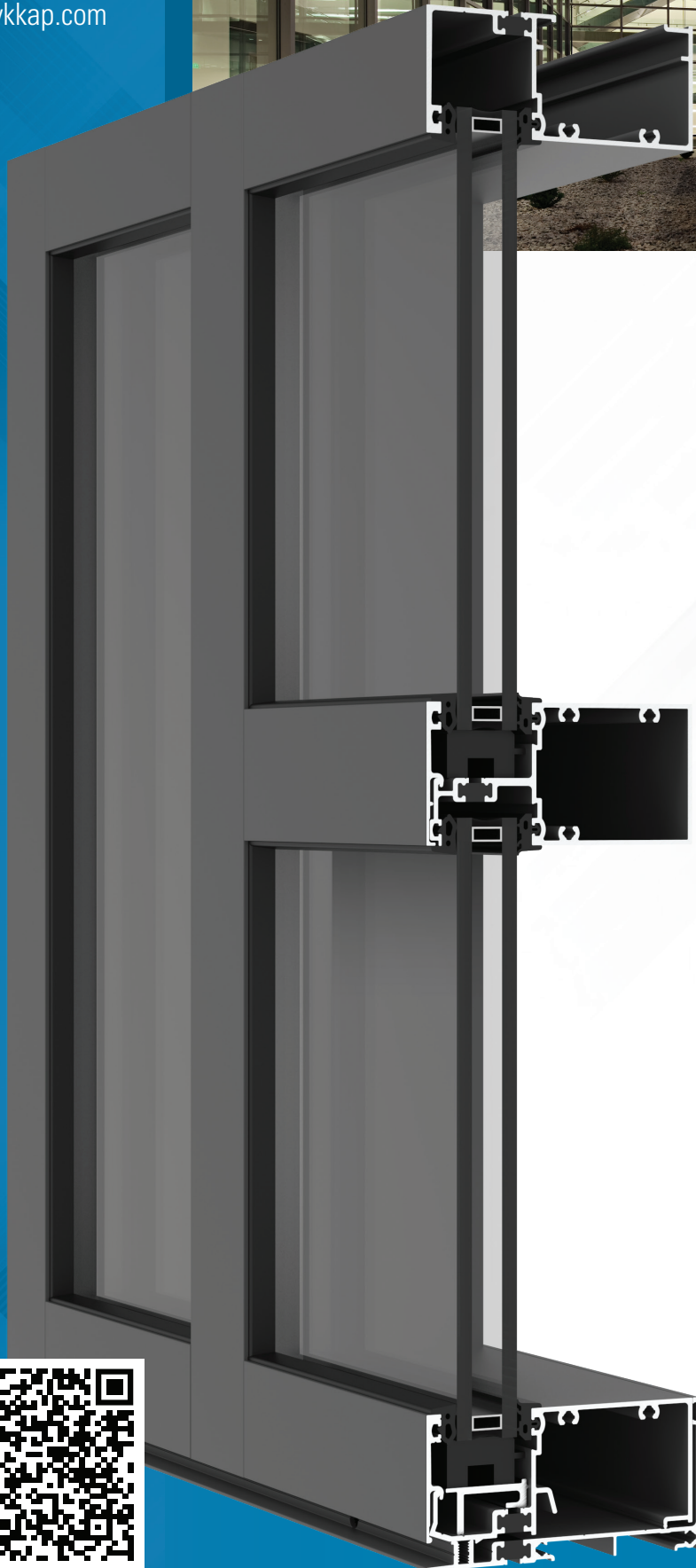
### Configuration:

Glazing	Glass Setting	Installation
Outside or Inside	Front Set	Shear Block or Screw Spline

### Thermal Values:

<b>U-Factor:</b>	Values as low as <b>0.33*</b>
<b>CRF:</b>	Minimum <b>69</b> <sub>frame</sub> and <b>63</b> <sub>glass</sub>

\*Based on AAMA 507. Lower values may be achieved through further simulation.

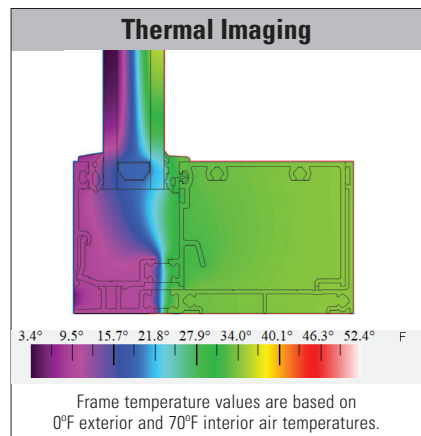


YWW 45 TU SPECS		
<b>Base Depth</b>	4-1/2"	
<b>Sightline</b>	2" Perimeter, 2-1/4" Intermediates	
<b>Config</b>	Outside, Inside or SSG Glazed / Front Set	
<b>Tested Glass</b>	1" IGU with Low-E (C.O.G. U-Factor: 0.29)	
Test	Results	Standards
<b>Air Infiltration</b>	0.06 CFM/FT <sup>2</sup> (1.10 m <sup>3</sup> /h·m <sup>2</sup> ) @ 6.24 PSF (299 Pa)	ASTM E 283
<b>Water Infiltration</b>	<b>Static:</b> 12 PSF (575 Pa) <b>Dynamic:</b> 12 PSF (575 Pa)	ASTM E 331 AAMA 501
<b>Acoustical</b> (1" IGU)	<b>Laminated STC:</b> 35 <b>Laminated OITC:</b> 29	ASTM E 90 ASTM E 1425

Thermal Performance								
Mullion Depth	U-Factor - BTU/hr·ft <sup>2</sup> ·°F						CRF	
2" x 4-1/2"	0.41	0.40	0.38	0.36	0.35	0.33	69	63
<b>Center of Glass</b>	<b>0.30</b>	<b>0.28</b>	<b>0.26</b>	<b>0.24</b>	<b>0.22</b>	<b>0.20</b>	<b>Frame</b>	<b>Glass</b>
AAMA 507 & NFRC 100							AAMA 1503	

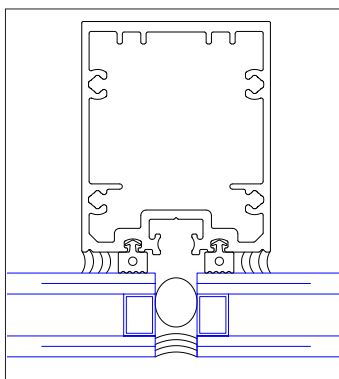
Finish Options	
Type	Standard
Factory Anodized	AAMA 612
Organic Paints	AAMA 2604 AAMA 2605

Various System Options
Continuous Head & Sill, Vertical Through, Shear Block or Screw Spline, Vertical 2-Sided SSG Glazing

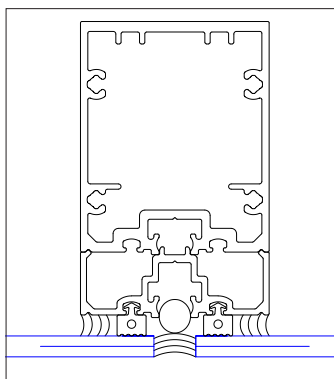


## SSG Vertical Option

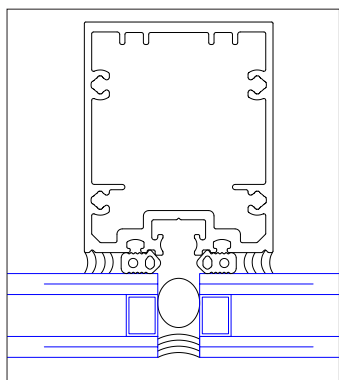
Not only can the system be inside or outside glazed, but the system also supports 2-sided Structural Silicone Glazing (SSG) for the vertical mullions.



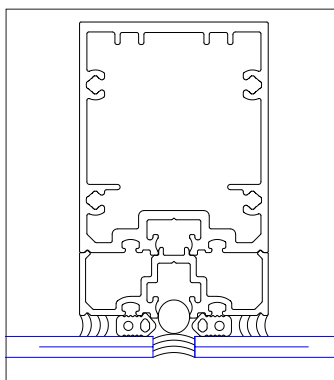
Outside Glazed SSG  
with 1" Glass



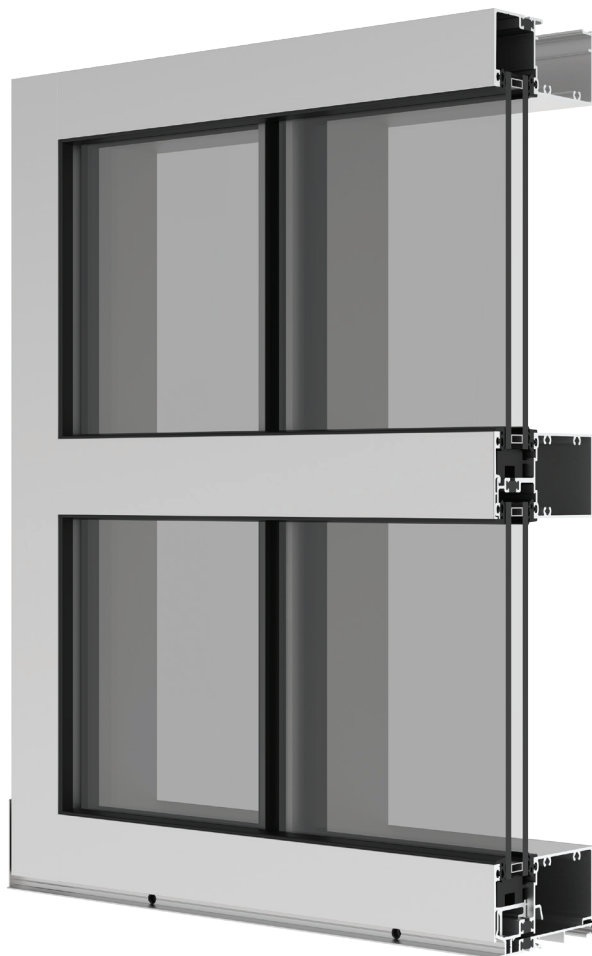
Outside Glazed SSG  
with 1/4" Adaptor



Inside Glazed SSG  
with 1" Glass



Inside Glazed SSG  
with 1/4" Adaptor



Additional information including CAD details, CSI specs, test reports and installation instructions are found on the Product Guide by clicking this link or visiting [www.ykkap.com/commercial/productguide](http://www.ykkap.com/commercial/productguide)