

YUW 750 XTH

Advanced Thermal, Impact and Blast Resistant Unitized Wall System

The **YUW 750 XTH** is an advanced thermally broken, unitized curtain wall system. Assembly and glazing in a climate controlled environment provides increased quality assurance of critical seals. Installation of complete units at the jobsite permits rapid installation and dry-in of low to mid-rise buildings. Glazed with 1-5/16" glass for versatility in impact and blast applications, as well as acoustical performance.

- **Hurricane Impact** – Large and Small Missile approval for IBC and Florida High Velocity Hurricane Zone (HVHZ)
- **Blast Mitigation** – Static/Dynamic analysis capability meets DoD, GSA and VA standards
- Dual finish capability for different exterior and interior colors
- Design Pressures up to 80 psf
- Perimeter-only exterior "field applied" sealant
- 3-way adjustable curtain wall anchors

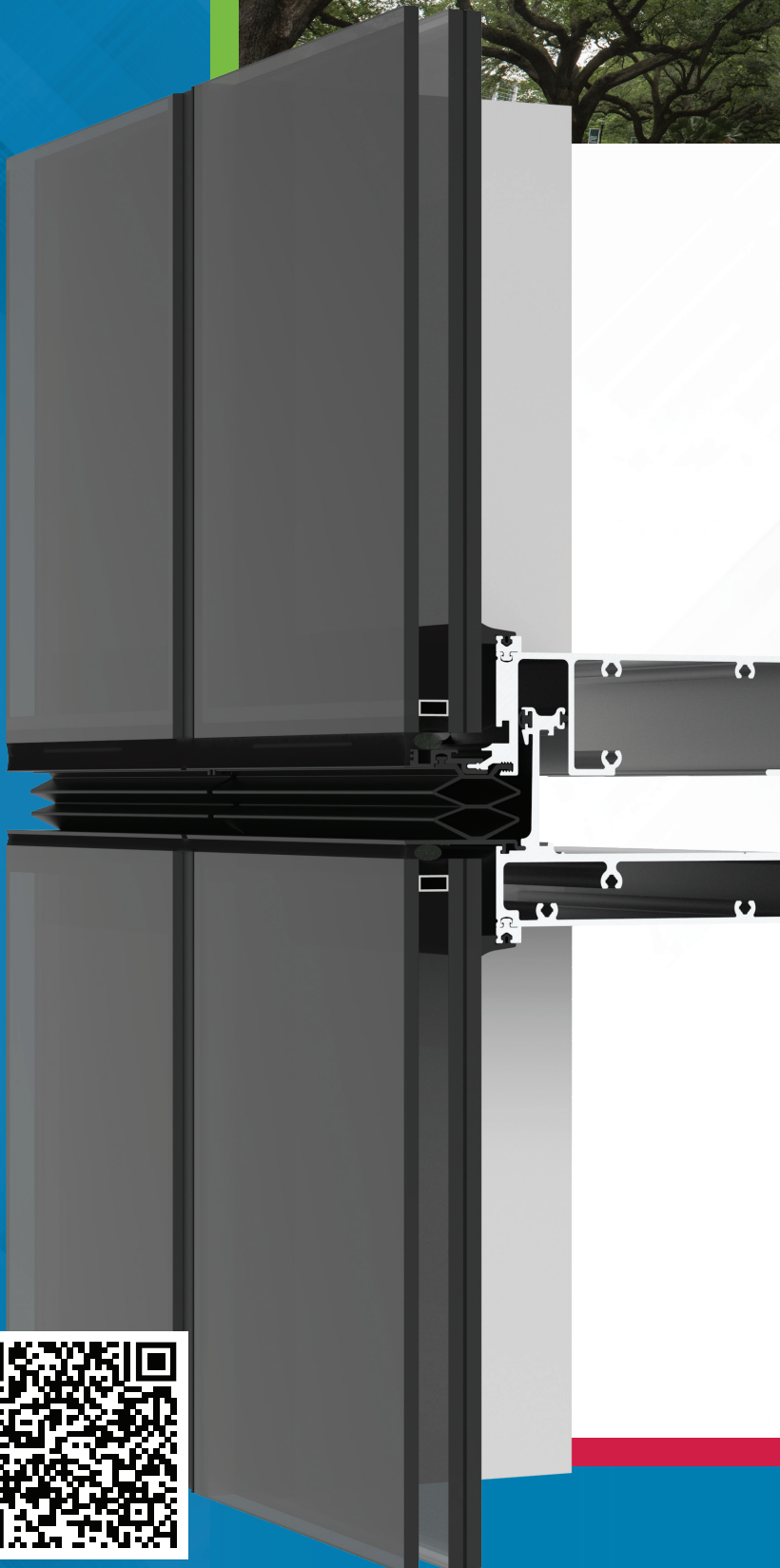
Configuration:

Glazing	Glass Setting	Installation
Inside & SSG	Front Set	Screw Spline

Thermal Values:

U-Factor:	Values as low as 0.30*
CRF:	Minimum 72 _{frame} and 68 _{glass}

*Based on NFRC 100. Lower values may be achieved through further simulation.

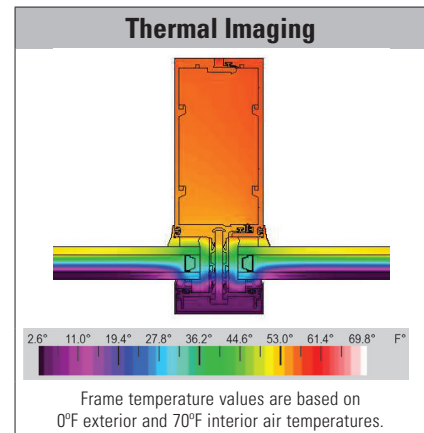


YUW 750 XTH SPECS		
Base Depth	6-5/16" or 7-13/16"	
Sightline	2-1/2"	
Config	Inside Glazed or SSG / Front Set	
Tested Glass	1-5/16" IGU with Low-E (C.O.G. U-Factor: 0.29)	
Test	Results	Standards
Air Infiltration	0.06 CFM/FT ² (1.10 m ³ /h·m ²) @ 6.24 PSF (299 Pa)	ASTM E 283
Water Infiltration	Static: 20 PSF (957 Pa) Dynamic: 20 PSF (957 Pa)	ASTM E 331 AAMA 501
Acoustical (1" IGU)	Laminated STC: 37 Laminated OITC: 32	ASTM E 90 ASTM E 1425

Thermal Performance								
Mullion Depth	U-Factor - BTU/hr·ft ² ·°F						CRF	
Captured	0.39	0.37	0.35	0.34	0.32	0.30	74	68
SSG	0.42	0.40	0.38	0.37	0.35	0.33	72	68
Center of Glass	0.30	0.28	0.26	0.24	0.22	0.20	Frame	Glass
AAMA 507 & NFRC 100							AAMA 1503	

Finish Options	
Type	Standard
Organic Paints	AAMA 2605

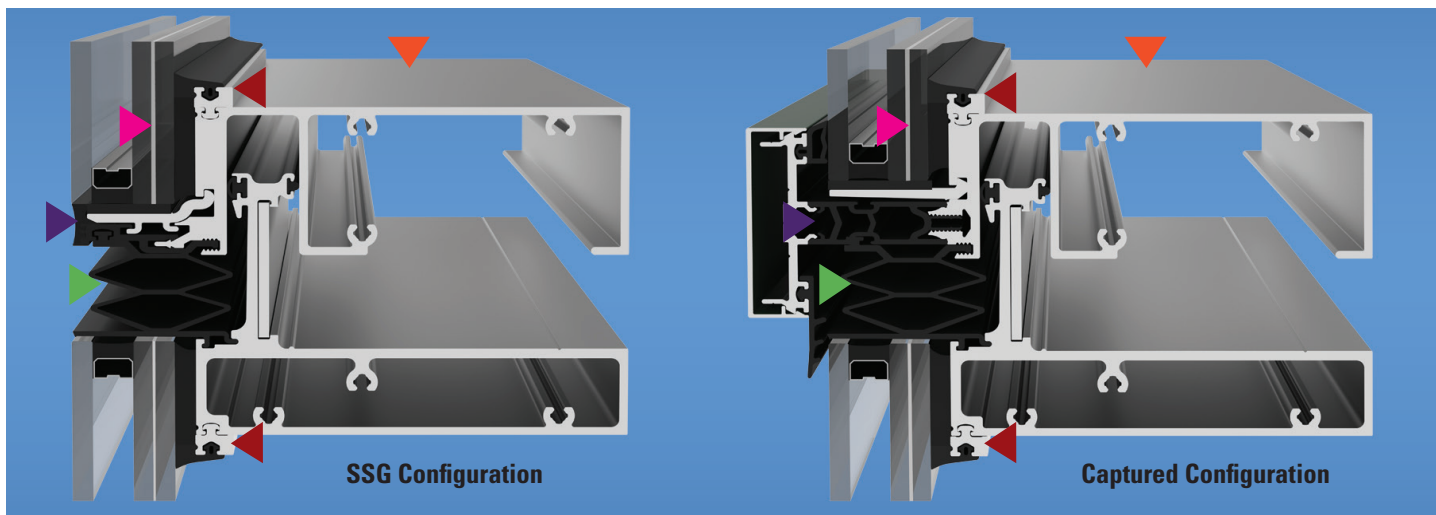
Product Approvals	
Missile Level A & D	Wind Zone 3
Hurricane HVHZ	International ICC
Florida FBC	Texas TDI



NOTE: Official testing has not been done on this system. Testing/Imaging is from the YUW 750 XT system.

A Closer Look at Unitized

- ▼ **DOUBLE DIAPHRAGM STACK GASKET**
 Maximizes expansion /contraction; creating insulating dead air chambers.
- ▼ **LAMINATED INSULATED GLASS**
 Variable interior glazing will effect thermal performance and impact resistance
- ▼ **WARMER INTERIOR SURFACES**
 Greater comfort and increased condensation resistance
- ▼ **AVOID MASKING TAPE / CLEAN UP**
 Gasket / spacer allows silicone application from exterior
- ▼ **INTERIOR ADAPTER**
 Additional adapter to provide qualified impact resistance



Additional information including CAD details, CSI specs, test reports and installation instructions are found on the Product Guide by clicking this link or visiting www.ykkap.com/commercial/productguide