

YKK AP[®]

www.ykkap.com



GA State College of Law - Atlanta, GA

YCW 750 XT IG

Advanced Thermal Performing Inside Glazed Curtain Wall System

Engineered to meet and exceed the most stringent green building codes and standards, the **YCW 750 XT IG** is an inside glazed high performance curtain wall system utilizing MegaTherm[®] thermal struts for superior energy efficiency. The insulating glass rests on integrated structural supports, diverting the dead load away from the thermal barriers ensuring long-term structural integrity.

- Integrates with a building's air-vapor barrier system
- Dual finish capability for different exterior and interior colors
- Optional intergreal thermally broken sill flashing available
- Outside Glazed horizontal options when Inside Glazing cannot be done
- Optional SSG Vertical Mullion for 2-sided SSG applications

Configuration:

Glazing	Glass Setting	Installation
Inside	Front Set	Shear Block

Thermal Values:

U-Factor:	Values as low as 0.21*
CRF:	Minimum 78 frame and 72 glass

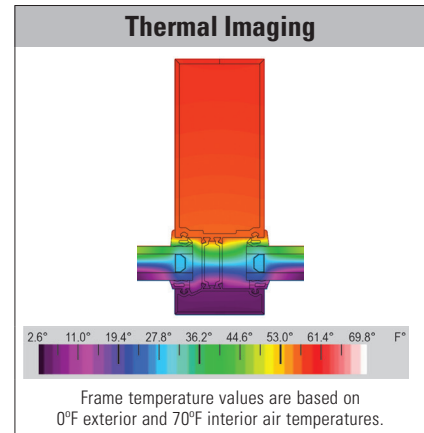
*Based on NFRC 100. Lower values may be achieved through further simulation.



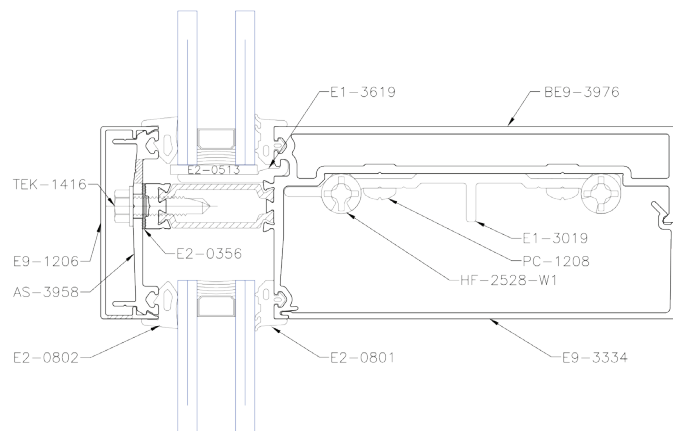
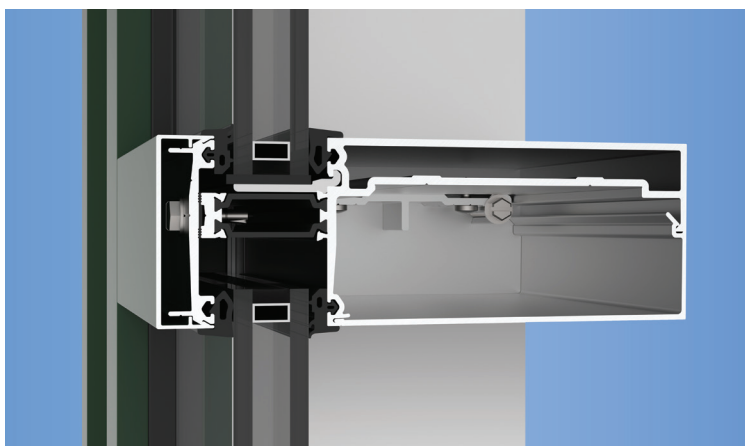
YCW 750 XT IG SPECS		
Base Depth	7-1/2"	
Sightline	2-1/2"	
Config	Inside Glazed / Front Set	
Tested Glass	1" IGU with Low-E (C.O.G. U-Factor: 0.29)	
Test	Results	Standards
Air Infiltration	0.06 CFM/FT ² (1.10 m ³ /h·m ²) @ 6.24 PSF (299 Pa)	ASTM E 283
Water Infiltration	Static: 15 PSF (718 Pa) Dynamic: 15 PSF (718 Pa)	ASTM E 331 AAMA 501
Acoustical (1" IGU)	Standard STC: 31 Standard OITC: 25	ASTM E 90 ASTM E 1425
	Laminated STC: 36 Laminated OITC: 29	

Thermal Performance								
Mullion Depth	U-Factor - BTU/hr·ft ² ·°F						CRF	
2-1/2" x 7-1/2" (1" IGU)	0.40	0.38	0.36	0.35	0.33	0.31	78	72
Center of Glass	0.32	0.30	0.28	0.26	0.24	0.22		
2-1/2" x 7-1/2" (1" IGU)	0.30	0.27	0.26	0.24	0.22	0.21	Frame	Glass
Center of Glass	0.20	0.18	0.16	0.14	0.12	0.10		
NFRC 100							AAMA 1503	

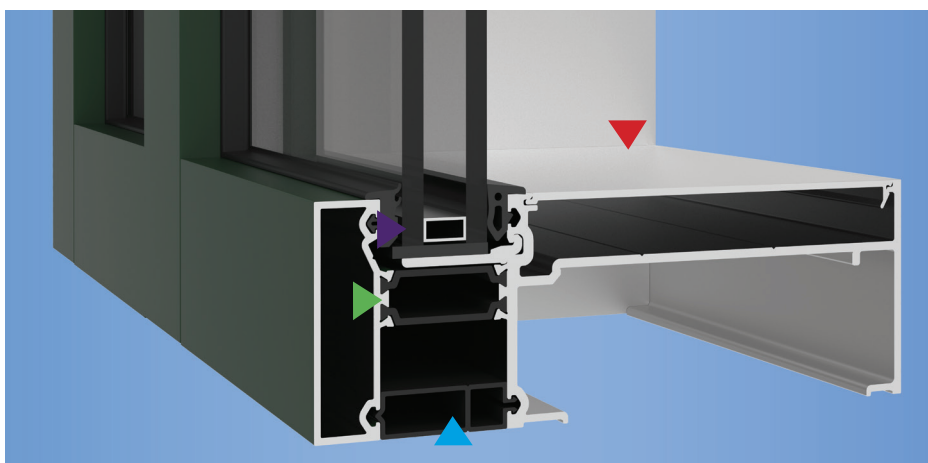
Finish Options	
Type	Standard
Factory Anodized	AAMA 612
Organic Paints	AAMA 2604 AAMA 2605



Optional Outside Hybrid Configuration



A Closer Look at our Thermal System



- DUAL THERMAL BARRIER**
 Polyamide struts (6/6 with glass fibers on all three axes) and thermal isolator
- WARMER INTERIOR SURFACES**
 Greater occupant comfort and increased resistance to condensation
- INTEGRATED STRUCTURAL SUPPORT**
 Carry dead load of the insulating glass, diverting load away from struts
- PERIMETER FILLER**
 Breaking of aluminum adds thermal performance around the edges

Additional information including CAD details, CSI specs, test reports and installation instructions are found on the Product Guide by clicking this link or visiting www.ykkap.com/commercial/productguide