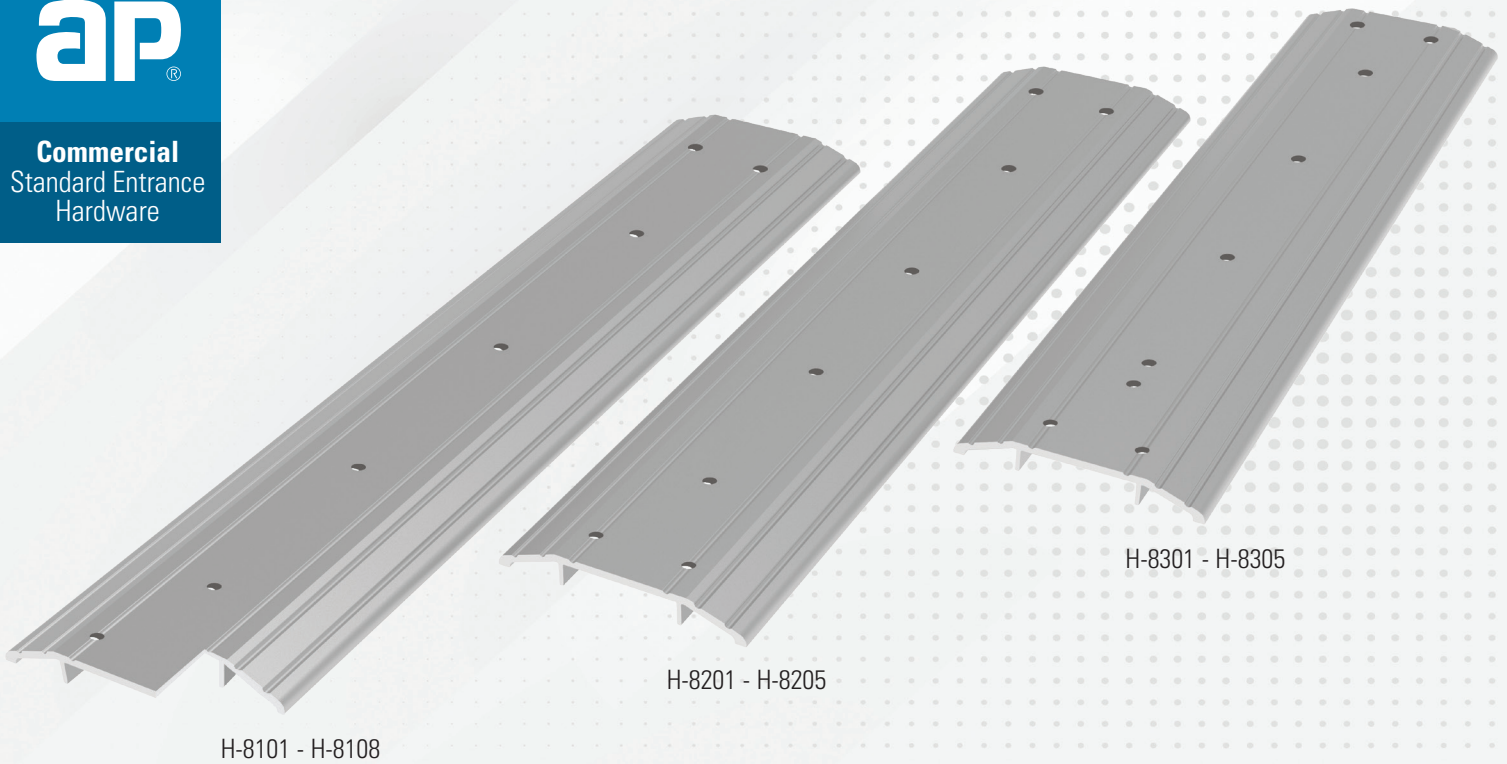




Commercial
Standard Entrance
Hardware



Description

- Factory fabricated extruded aluminum; factory prepped for specified hinging and locking hardware.
- For Standard Threshold: 4" (101.6mm) wide x 1/2" (12.7mm) high with width required.

Compatible Entrances

All YKK AP Entrances

Material Composition

Aluminum Extrusion

Finishes

Mill Finish

Hardware Vendor



Vendor Part or Series

H-8101 to H-8108: 4" Offset Pivot Thresholds for overhead closers in various lengths

H-8201 to H-8205: 4" Butt Hung Thresholds for overhead closers of various lengths

H-8301 to H-8305: 4" Center Hung Thresholds for overhead closers of various lengths

21-5003-00

H-8100 / H-8200 / H-8300 Series

Standard 4" Thresholds