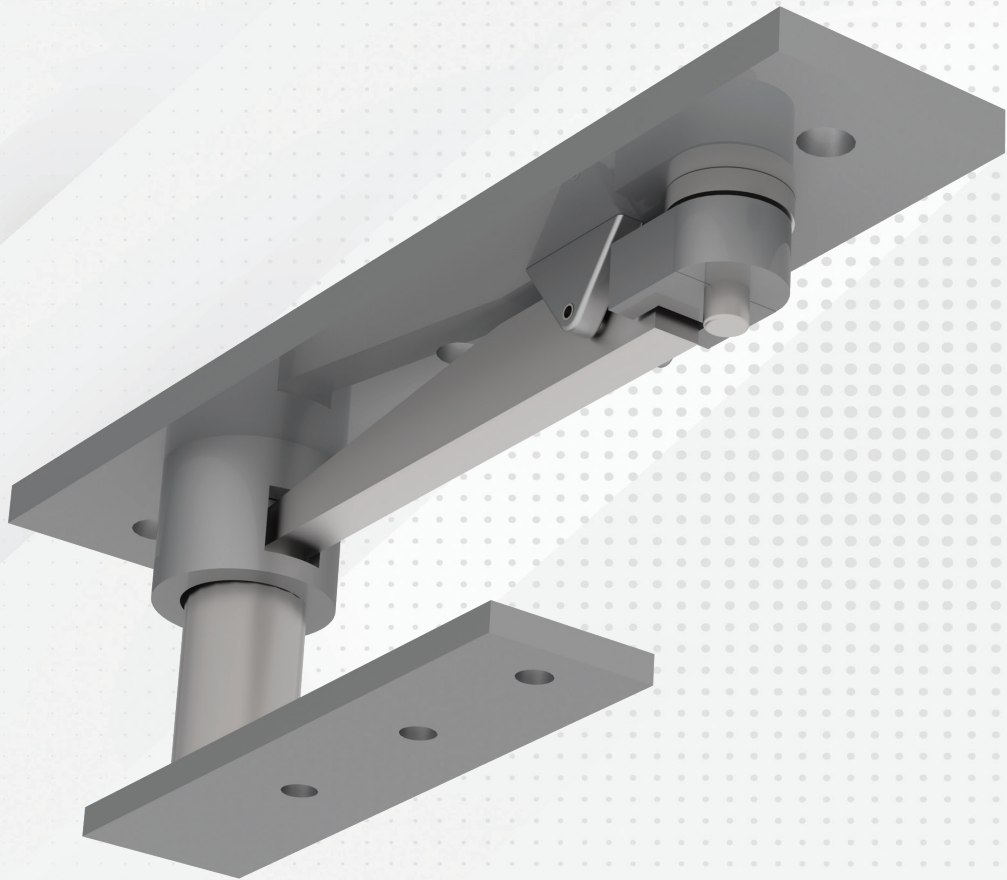


**YKK
ap**®

Commercial
Standard Entrance
Hardware



Description

- Cast aluminum “Walking Beam Type” frame pivot portion with hardened steel pivot pin for additional extension through transom bar/header.
- Door pivot portions are machined aluminum with oilite bronze self-lubricating bearings; top center hung pivot parts are concealed.

Application

- Use in conjunction with center hung doors with floor closers.
- Use top and bottom center pivots with surface mounted closer or top pivot only with floor closer.

Compatible Entrances

20D/35D/50D & 40M/50M

Material Composition

Steel with Stainless Steel Pin

Finishes

Cast Aluminum with Mill on Door Portion

Hardware Vendor



Vendor Part or Series

Calibre 500-PF-1

21-5016-00

H-2401

Standard Top Walking Beam Center Pivot