

# YKK AP<sup>®</sup>

www.ykkap.com



## Luminance<sup>®</sup>

Light Shelf System for Storefront,  
Curtain Wall and Window Wall

The **Luminance<sup>®</sup>** Light Shelf system contains modern design elements and maintenance features offering the most attractive and functional light shelf system on the market. This unique system is constructed from high quality aluminum extrusions and a lightweight, rigid honeycomb core panel with a durable melamine surface.

Luminance incorporates a unique assembly process that includes a tilt-down panel feature allowing easy maintenance of the light reflecting surface and the glazing above it. This surface is highly reflective and slightly textured, yielding a penetrating, diffused light deeper into the interior space. Luminance is the ideal complement to our ThermaShade<sup>®</sup> and together provides a complete sun control solution.

- Modular components simplify fabrication, installation and replacement
- Can be applied to all wall systems that have a minimum 2" interior face dimension
- All fabrication and most assembly can be completed in the shop, reducing overall cost
- The pivoting panel feature makes each modular panel component very easy to clean



# Just a Light Adjustment...

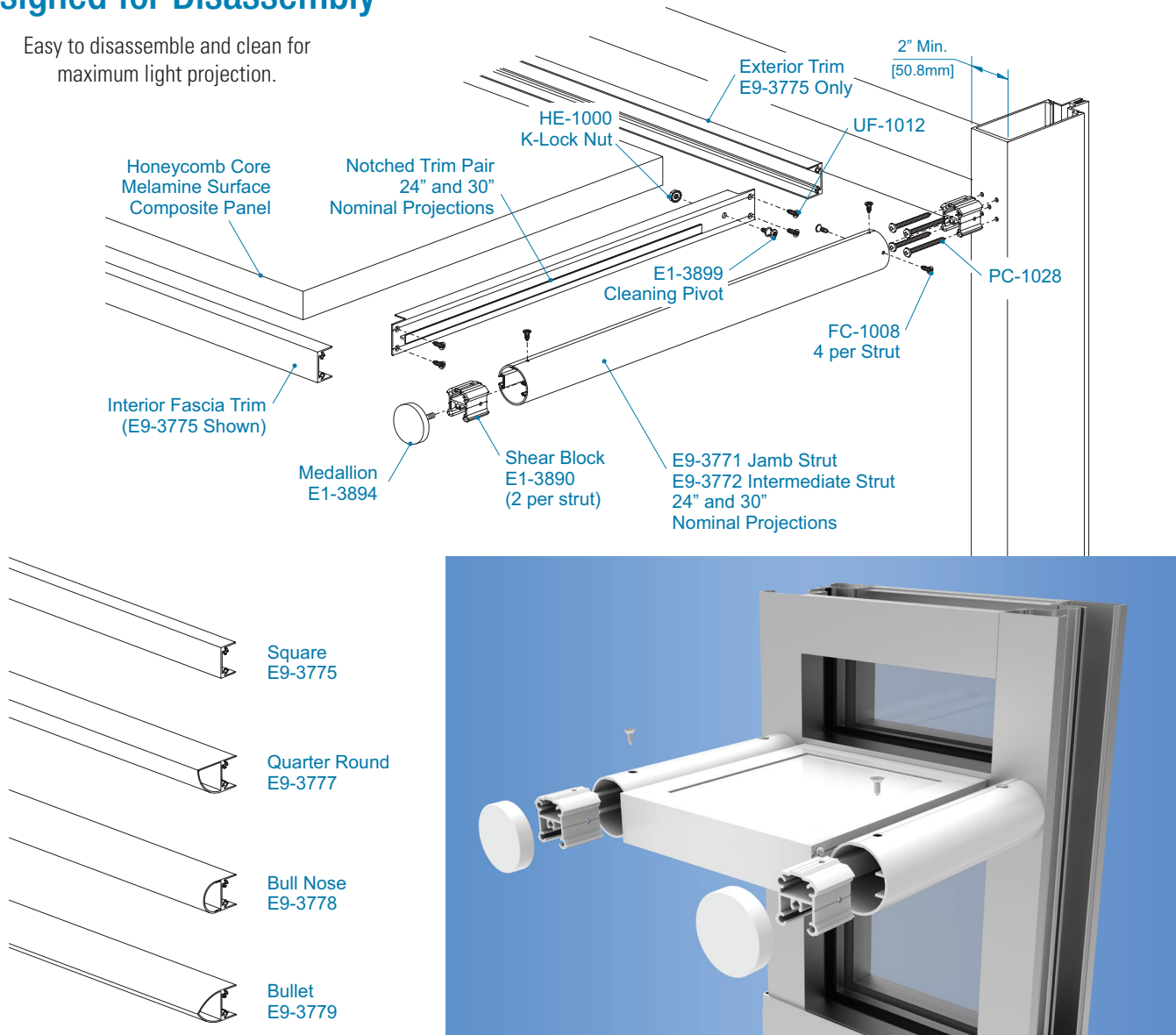


LUMINANCE® SPECS		
Compatible with all wall systems that have at least a 2" interior mullion face dimension.		
Can be installed in the Field or in the Shop		
Test	Results	Standards
Testing specifications will vary depending on the base curtain wall, window wall or storefront system that is used. Please refer to the specific system CSI specifications or the test reports on our product guide at <a href="http://www.ykkap.com">www.ykkap.com</a> .		

Finish Options	
Type	Standard
Factory Anodized	AAMA 612
Organic Paints	AAMA 2604 AAMA 2605

# Designed for Disassembly

Easy to disassemble and clean for maximum light projection.



Additional information including CAD details, CSI specs, test reports and installation instructions are found on the Product Guide by clicking this link or visiting [www.ykkap.com/commercial/productguide](http://www.ykkap.com/commercial/productguide)