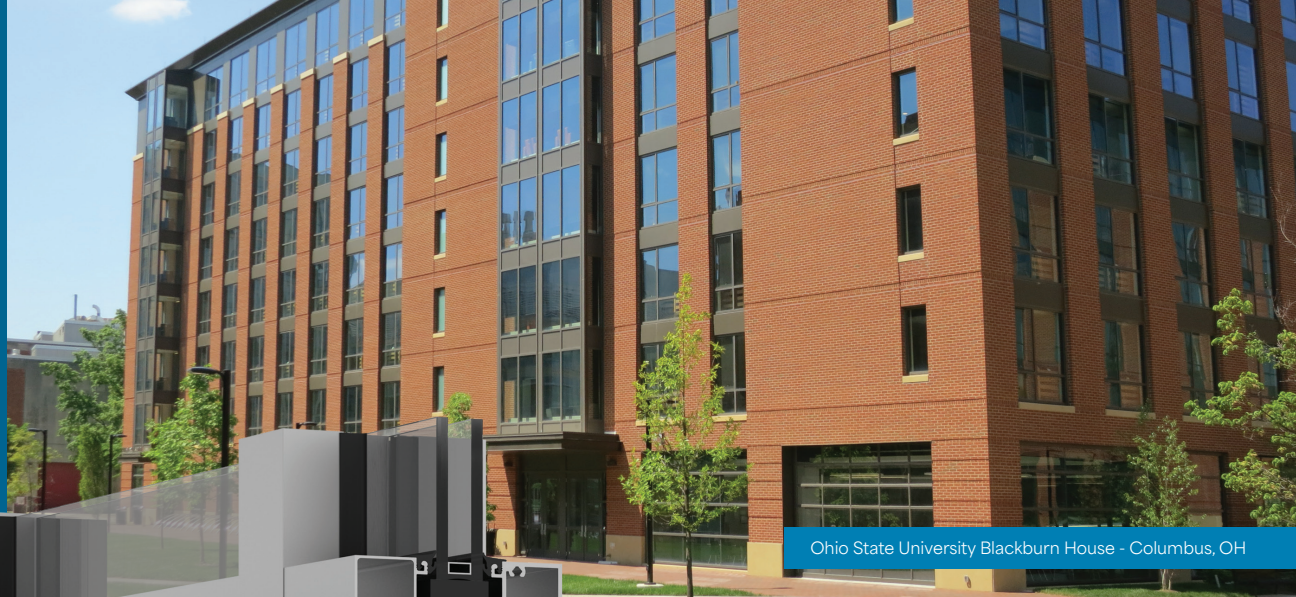


YKK ap[®]

www.ykkap.com



Ohio State University Blackburn House - Columbus, OH

YES SSG TU

Zero Sightline, Thermally Broken
Operable Vent for Wall Systems

The **YES Structural Silicone Glazed (SSG) TU** Vent seamlessly blends with the surrounding framing system to become virtually invisible when viewed from a distance. This vent meets the 2012 International Energy Conservation Code (IECC) through Zone 6. In addition to exceptional thermal performance and condensation resistance in a vent product, this system also provides AW PG 65 for advanced structural performance.

- Glass is bonded to vent's frame without need for additional retainers, providing a clean look
- Designed for use with Storefront, Window Wall and Curtain Wall applications
- Thermally broken using ThermaBond Plus[®]
- Heavy Duty, Stainless Steel hinges and Standard White Bronze cast locking hardware
- Vent and Frame Multi-Point Locks available
- Factory glazing and screens available

Thermal Values:

U-Factor:	Values as low as 0.34*
CRF:	Minimum 69 frame and 69 glass

*Based on AAMA 507. Lower values may be achieved through further simulation.



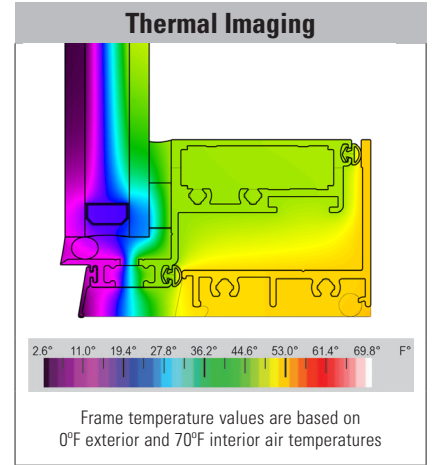
YES SSG TU SPECS		
Base Depth	2-3/4"	
Sightline	0"	
Config	Project Out / Casement Out	
Tested Glass	1" IGU with Low-E (C.O.G. U-Factor: 0.29)	
Test	Results	Standards
Air Infiltration	0.10 CFM/FT ² (1.85 m ³ /h·m ²) @ 6.24 PSF (299 Pa)	ASTM E 283
Water Infiltration	Static: 15 PSF (718 Pa) Dynamic: 15 PSF (718 Pa)	ASTM E 331 AAMA 501
Acoustical (1" IGU)	Standard STC: 32 Standard OITC: 35	ASTM E 90 ASTM E 1425
	Laminated STC: 35 Laminated OITC: 28	

Thermal Performance								
Window Config	U-Factor - BTU/hr·ft ² ·°F						CRF	
Awning (Outswing)	0.42	0.40	0.39	0.37	0.35	0.34	69	69
Casement (Outswing)	0.41	0.40	0.38	0.37	0.35	0.34	70	70
Center of Glass	0.30	0.28	0.26	0.24	0.22	0.20	Frame	Glass
AAMA 507							AAMA 1503	

Finish Options	
Type	Standard
Factory Anodized	AAMA 612
Organic Paints	AAMA 2604 AAMA 2605

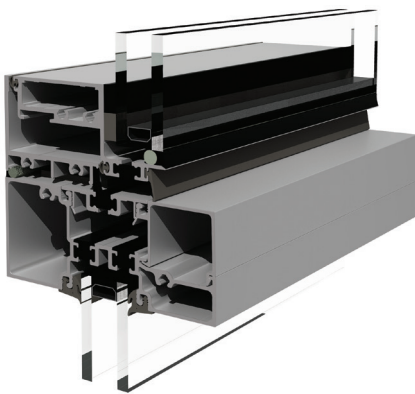
Structural Performance
AAMA/WDMA/CSA 101/I.S.2/A440-11 AW Performance Grade 65

NOTE: Performance above is for the flat frame. Please contact YKK AP for pocket frame in curtain wall specifications.

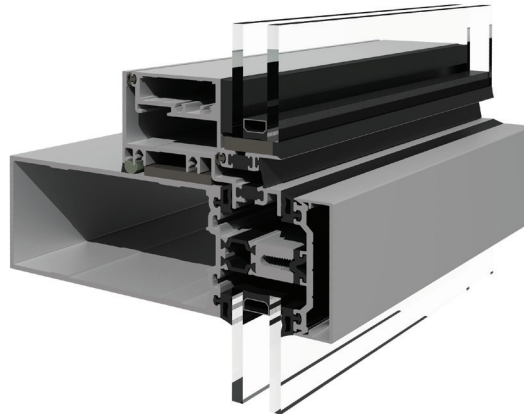


Design Flexibility

The YES SSG TU Vent is designed as a standard product offering with sizes up to 37" x 61" (or 61" x 37"). This thermally broken vent is compatible with YKK AP's most popular framing systems (examples below). Additional testing was conducted to support custom and oversize applications up to 70" x 66" (Project Out) with additional hardware and a pocket frame for curtain wall applications.



Flat Frame with YES 45 XT Storefront



Pocket Frame with YCW 750 XT Curtain Wall

Hardware

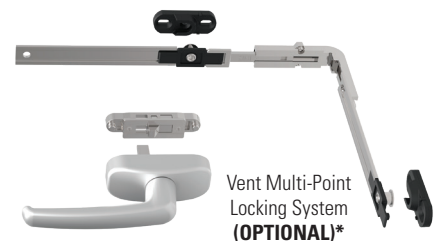
Cam Handle
Lock System
(STANDARD)



Roto Handle
for Project-Out
(OPTIONAL)



Frame Multi-Point
Locking System
(OPTIONAL)



***STANDARD** for AW 100

Also Available: Wicket Screens (10" Door or Full Door) and a Limit Device (Approved for NYC)

Additional information including CAD details, CSI specs, test reports and installation instructions are found on the Product Guide by clicking this link or visiting www.ykkap.com/commercial/productguide