



www.ykkap.com



Buddy Holly Hall of Performing Arts and Sciences - Lubbock, TX

LUBBOCK, INDEPENDENT SCHOOL DISTRICT

## YSK 750

### Sloped, Outside Glazed Skylight System for Curtain Wall

The **YSK 750** is a complete slope glazed framing system designed for curtain walls with long rafters. The system incorporates an integral gutter that may be set directly down onto a curb or on top of a vertical curtain wall. The unique hinge will accommodate slope angles from fifteen to sixty degrees and provide positive anchorage for the slope. Purlins (horizontal members) are available with a variety of face covers to meet design requirements or may be structural silicone glazed for a clean, uninterrupted appearance.

- Available in stock lengths or may be factory engineered.
- SSG purlin option available
- Dual finish capability for different exterior and interior colors
- Variety of face covers to match your design
- Integrates with our YKK AP 750 Series Curtain Wall
- Custom design solutions may be available through our Engineering Center

#### Configuration:

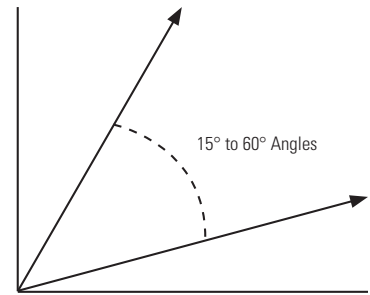
Glazing	Glass Setting	Installation
Outside	Front Set	Rafter or Purlin



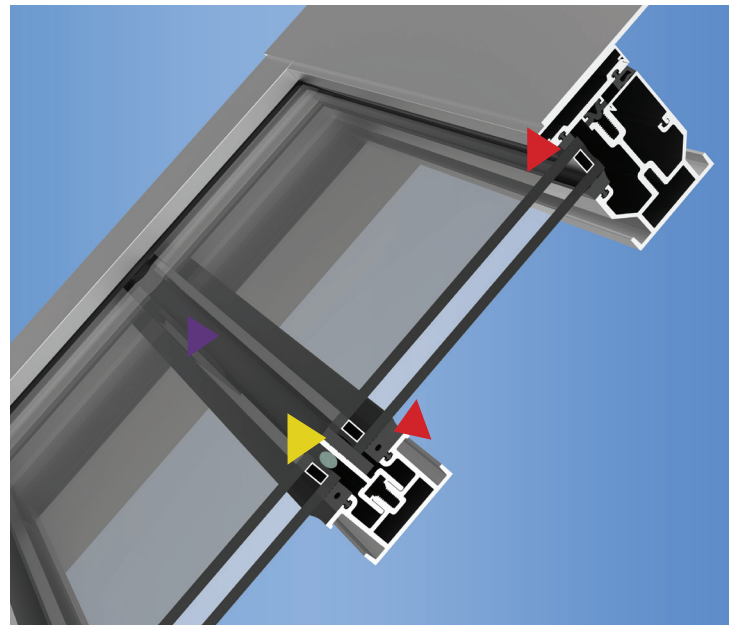
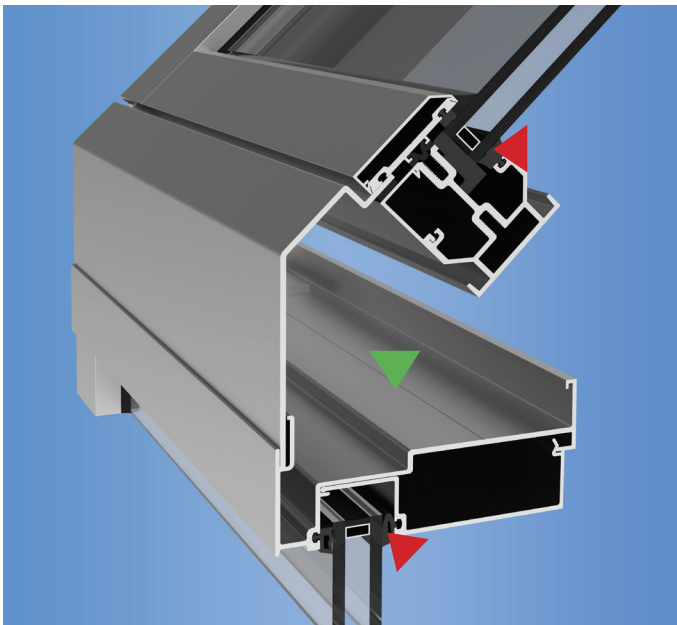
YSK 750 SPECS		
Base Depth	7-1/2"	
Sightline	Angle Dependant	
Config	Outside Glazed / Front Set	
Tested Glass	1" IGU with Low-E (C.O.G. U-Factor: 0.29)	
Test	Results	Standards
Air Infiltration	0.06 CFM/FT <sup>2</sup> (1.10 m <sup>3</sup> /h·m <sup>2</sup> ) @ 6.24 PSF (299 Pa)	ASTM E 283
Water Infiltration	<b>Static:</b> 15 PSF (718 Pa) <b>Dynamic:</b> 15 PSF (718 Pa)	ASTM E 331 AAMA 501

Glazing Options
<b>For Purlins:</b> 5/16", 1", 1-1/16", 1-1/8", 1-3/16", 1-1/4" and 1-5/16"
<b>For SSG Purlins:</b> 1", 1-1/16", 1-1/8", 1-3/16", 1-1/4" and 1-5/16"
<b>For Rafters:</b> 5/16", 1", 1-1/16", 1-1/8", 1-3/16", 1-1/4" and 1-5/16"

Finish Options	
Type	Standard
Factory Anodized	AAMA 612
Organic Paints	AAMA 2604 AAMA 2605



## A Closer Look at Sloped Glazing



- ▶ **INTEGRATED GUTTER** - Built in the slope system that will sit flush on a curtain wall or slab to help redirect any water.
- ▶ **TAILORED GLAZING** - Wet and Dry Glazing combinations ensure the best support for the sloped glazing applied to the system.
- ▶ **INTEGRATED STRUCTURAL SUPPORT** - Carry dead load of the insulating glass, diverting load away from struts.
- ▶ **STRUCTURAL SILICONE GLAZING** - SSG option for perlin type installation.

Additional information including CAD details, CSI specs, test reports and installation instructions are found on the Product Guide by clicking this link or visiting [www.ykkap.com/commercial/productguide](http://www.ykkap.com/commercial/productguide)