

# YKK ap

www.ykkap.com



United Prairie Bank - Mankato, MN

## YES 600

### Thermally Broken, Offset Storefront System with Insulating Glass

The **YES 600** is a thermally broken front loaded storefront system for 1" insulating glass. The thermal break is achieved by employing a unique nylon clip that locks the exterior and interior members together. This method of attaching face members also allows separate finishes to be used on the system.

- 6" Mullion and 4-1/2" Shallow Option
- 1" Standard Insulating Glazing with a 1/4" Monolithic Glass infill option
- Gasket With Stretch-Resistant Cord
- Integral Entrance Door Frames
- Nylon Clip Design adds to the thermal performance, eases installation and reduces labor costs
- Dual finish capability for different exterior and interior colors

#### Configuration:

Glazing	Glass Setting	Installation
Outside	Front Set	Screw Spine or Shear Block

#### Thermal Values:

<b>U-Factor:</b>	Values as low as <b>0.33*</b>
<b>CRF:</b>	Minimum <b>71</b> frame and <b>62</b> glass

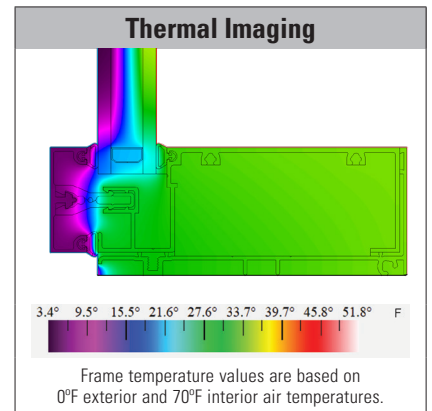
\*Based on NFRC 100. Lower values may be achieved through further simulation.



YES 600 SPECS		
Base Depth	6"	
Sightline	1-3/4"	
Config	Outside Glazed / Front Set	
Tested Glass	1" IGU with Low-E (C.O.G. U-Factor: 0.29)	
Test	Results	Standards
Air Infiltration	0.06 CFM/FT <sup>2</sup> (1.10 m <sup>3</sup> /h·m <sup>2</sup> ) @ 6.24 PSF (299 Pa)	ASTM E 283
Water Infiltration	<b>Static:</b> 12 PSF (575 Pa) <b>Dynamic:</b> 12 PSF (575 Pa)	ASTM E 331 AAMA 501

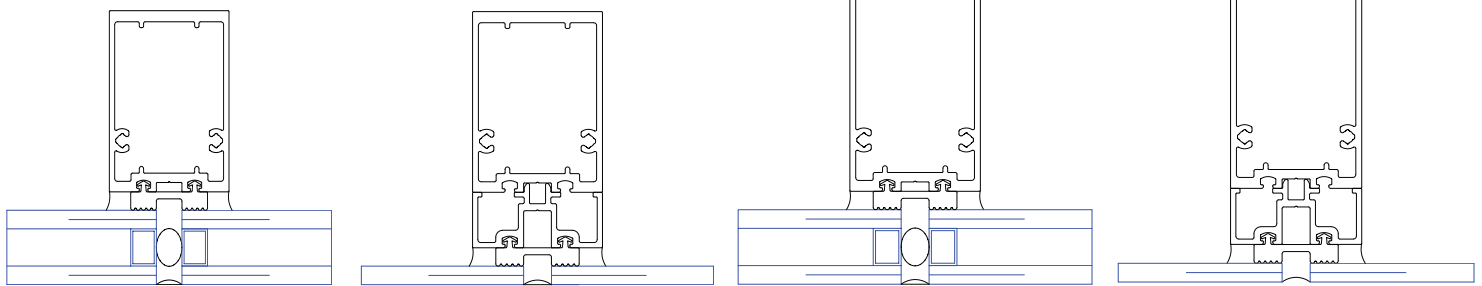
Thermal Performance								
Mullion Depth (1" IGU)	U-Factor - BTU/hr·ft <sup>2</sup> ·°F						CRF	
1-3/4" x 6"	0.41	0.39	0.37	0.36	0.34	0.33	71	62
<b>Center of Glass</b>	<b>0.30</b>	<b>0.28</b>	<b>0.26</b>	<b>0.24</b>	<b>0.22</b>	<b>0.20</b>	<b>Frame</b>	<b>Glass</b>
AAMA 507							AAMA 1503	

Finish Options	
Type	Standard
Factory Anodized	AAMA 612
Organic Paints	AAMA 2604 AAMA 2605



## Vertical SSG Options

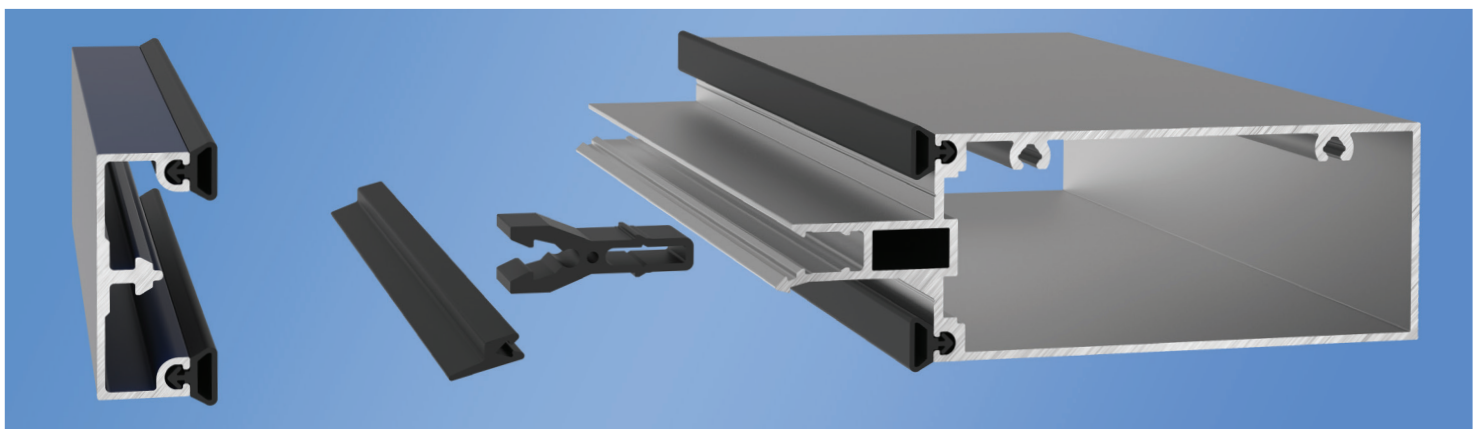
Structural Silicone Glazed (SSG) Vertical Mullions are available in 4-1/2" and 6" Depths. Either 1/4" or 1" Glazing can be utilized.



4-1/2" System with 1" Glass    4-1/2" System with 1/4" Glass    6" System with 1" Glass    6" System with 1/4" Glass

## Nylon Clip Installation

The face cover is inserted into the other end of the mullion through the clip with gaskets attached, securing the glass to the system and locking the cover with the mullion. The nylon clip also helps reduce the amount of heat transfer that conducts through the storefront.



Additional information including CAD details, CSI specs, test reports and installation instructions are found on the Product Guide by clicking this link or visiting [www.ykkap.com/commercial/productguide](http://www.ykkap.com/commercial/productguide)