

YKK ap[®]

www.ykkap.com



Glebe Elementary School - Arlington, VA

YCW 752

Outside Glazed Curtain Wall System with a 2" Sightline

The **YCW 752** is an outside glazed pressure wall system with a 7-1/2" base mullion depth that offers a sight line a mere 2" wide, compared to the standard 2-1/2" versions. The system also provides improved thermal performance to conserve energy and lower operating costs.

- Variety of options including face covers, back members at different depths
- Dual finish capability for different exterior and interior colors
- Stick built with concealed fasteners
- 1" IGU and 1/4" monolithic glazing options
- Integrates with our low-profile entrances and sub-frames
- Upgrade thermal performance by using the YCW 752 OGP system with polyamide plates

Configuration:

Glazing	Glass Setting	Installation
Outside	Front Set	Shear Block

Thermal Values:

U-Factor:	Values as low as 0.40*
CRF:	Minimum 68 frame and 64 glass

*Based on NFRC 100. Lower values may be achieved through further simulation.

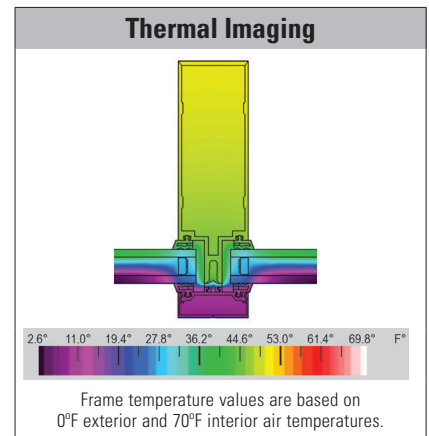


YCW 752 SPECS		
Base Depth	7-1/2" (actual is 7-3/8")	
Sightline	2"	
Config	Outside Glazed / Front Set	
Tested Glass	1" IGU with Low-E (C.O.G. U-Factor: 0.29)	
Test	Results	Standards
Air Infiltration	0.06 CFM/FT ² (1.10 m ³ /h·m ²) @ 6.24 PSF (299 Pa)	ASTM E 283
Water Infiltration	Static: 15 PSF (718 Pa) Dynamic: 15 PSF (718 Pa)	ASTM E 331 AAMA 501
Acoustical (1" IGU)	Not Tested	ASTM E 90 ASTM E 1425

Thermal Performance								
Mullion Depth	U-Factor - BTU/hr·ft ² ·°F						CRF	
2" x 7-3/8"	0.48	0.46	0.45	0.43	0.41	0.40	68	64
Center of Glass	0.30	0.28	0.26	0.24	0.22	0.20	Frame	Glass
AAMA 507 & NFRC 100							AAMA 1503	

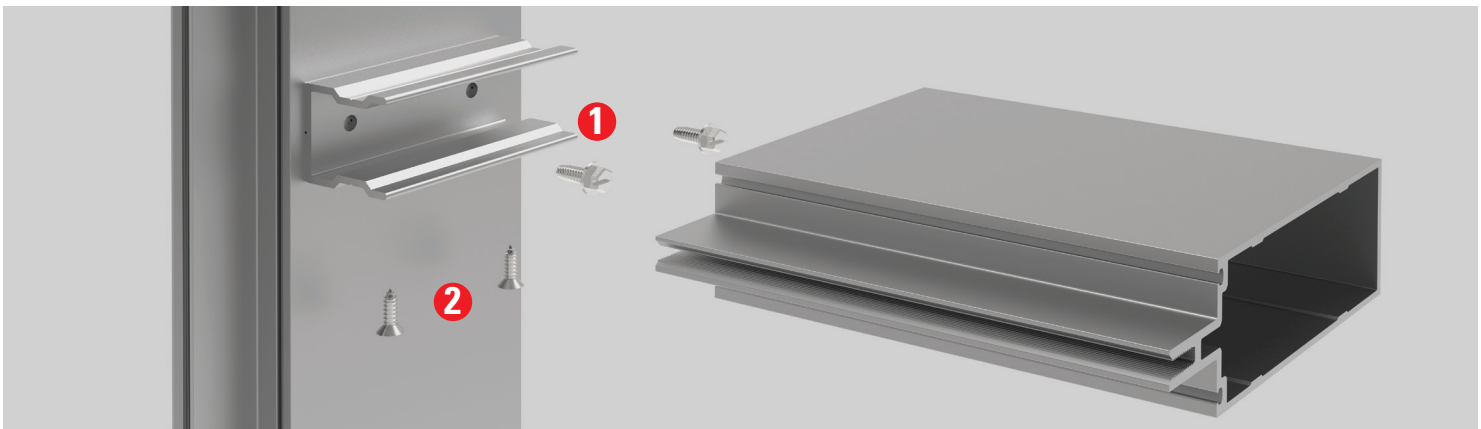
Finish Options	
Type	Standard
Factory Anodized	AAMA 612
Organic Paints	AAMA 2604 AAMA 2605

Mullion Depth Options	
with 1/4" Glass	
6-5/8"	
with 1" Glass	
4-7/8" or 7-3/8"	



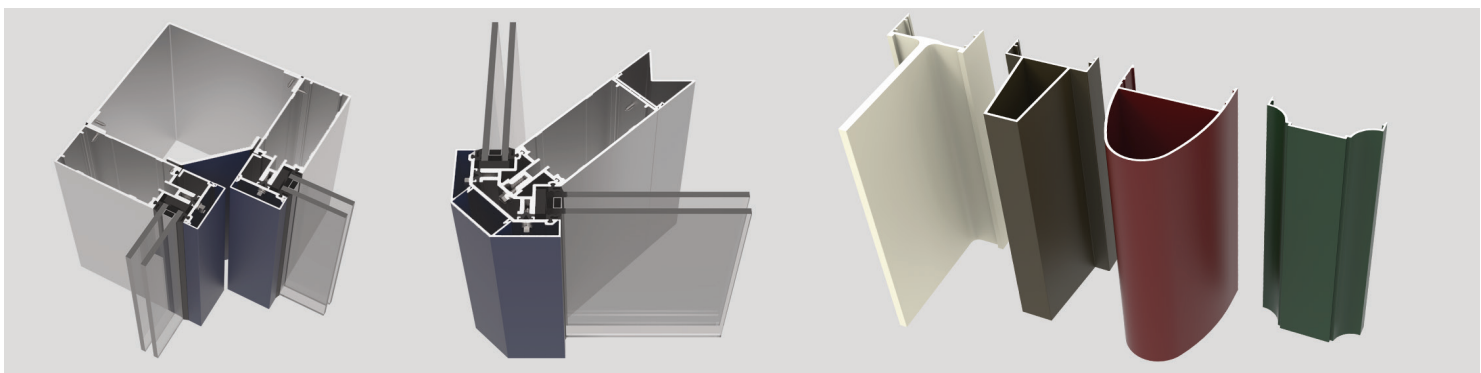
Shear Block Assembly

We have designed a shear block that integrates easily with this curtain wall system. **1** Measure or use our drill fixtures for the initial shear block holes. Apply and fasten the shear block to the Verticals and Jambs. **2** Then, drill and countersink holes above or below in the adjacent head, sill or horizontal mullions. You can now apply the fasteners to tighten and secure the mullions in place. More specifics are in our installation instructions.



Customization

YKK AP offers numerous options including variable mullion depths, angled corners, heavy duty conditions and custom face cover styles.



Additional information including CAD details, CSI specs, test reports and installation instructions are found on the Product Guide by clicking this link or visiting www.ykkap.com/commercial/productguide