

# YKK AP

www.ykkap.com



Gates Hall at Cornell University - Ithaca, NY

## YUW 750 XT

### Advanced Thermal Performing Unitized Curtain Wall System

The **YUW 750 XT** is a unique and versatile unitized wall system designed to curb a building's energy appetite and protect against interior moisture. The system is designed to be assembled and glazed in a climate controlled environment for increased quality assurance of critical seals. Complete units are then shipped directly to the jobsite permitting rapid installation and dry-in of low to mid-rise commercial buildings.

- Advanced thermal barrier lowers heat transfer, improved comfort and condensation resistance
- 3-way adjustable curtain wall anchors
- Dual Finish capability for interior/exterior
- Versatile Framing Design:
  - ◆ 4-sided captured: 2-1/2" sightline
  - ◆ 2-sided SSG (horiz/vert)
  - ◆ 4-sided structural silicone glazing

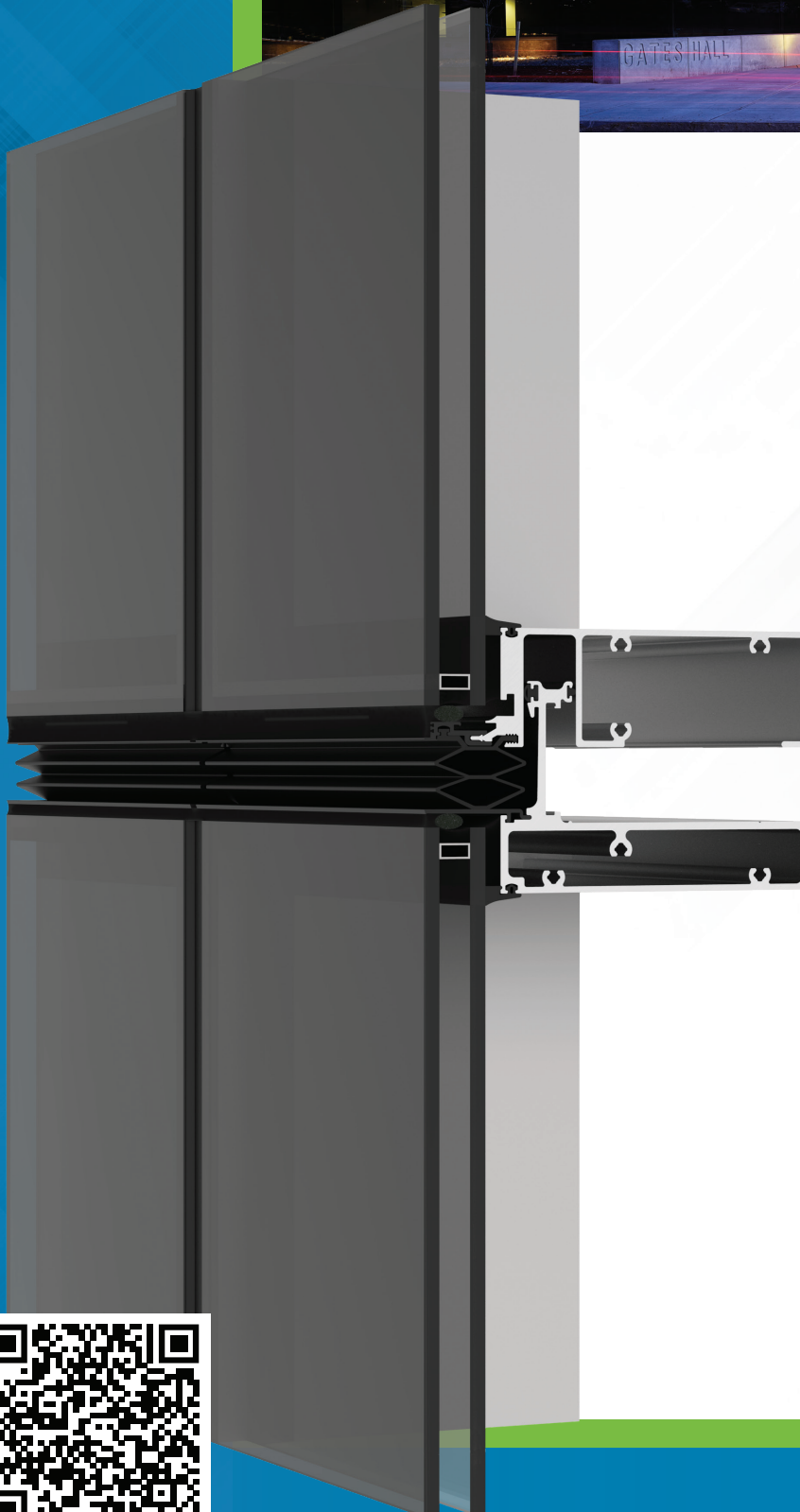
#### Configuration:

Glazing	Glass Setting	Installation
Inside or SSG	Front Set	Unitized

#### Thermal Values:

	CAPT SSG
<b>U-Factor:</b>	Values as low as <b>0.30/0.33*</b>
<b>CRF:</b>	Minimum <b>72</b> frame and <b>68</b> glass

\*Based on NFRC 100. Lower values may be achieved through further simulation.

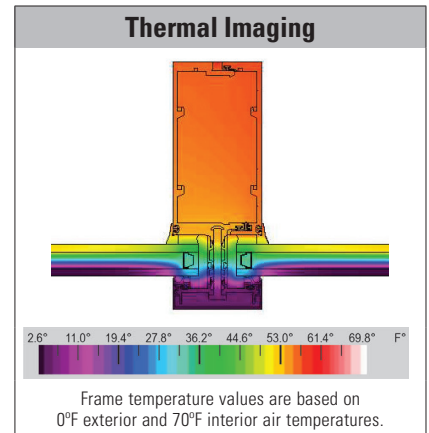


YUW 750 XT SPECS		
Base Depth	7-1/2"	
Sightline	2-1/2"	
Config	Inside or SSG Glazed / Front Set	
Tested Glass	1" IGU with Low-E (C.O.G. U-Factor: 0.29)	
Test	Results	Standards
Air Infiltration	0.06 CFM/FT <sup>2</sup> (1.10 m <sup>3</sup> /h·m <sup>2</sup> ) @ 6.24 PSF (299 Pa)	ASTM E 283
Water Infiltration	Static: 20 PSF (958 Pa) Dynamic: 20 PSF (958 Pa)	ASTM E 331 AAMA 501
Acoustical (1" IGU)	Standard STC: 33 Standard OITC: 28	ASTM E 90 ASTM E 1425
	Laminated STC: 35 Laminated OITC: 32	

Thermal Performance								
Mullion Depth	U-Factor - BTU/hr·ft <sup>2</sup> ·°F						CRF	
Captured (1" IGU)	0.39	0.37	0.35	0.34	0.32	0.30	74	68
SSG (1" IGU)	0.39	0.38	0.36	0.34	0.33	0.31	72	68
Center of Glass	0.30	0.28	0.26	0.24	0.22	0.20	Frame	Glass
NFRC 100							AAMA 1503	

Finish Options	
Type	Standard
Organic Paints	AAMA 2604 AAMA 2605

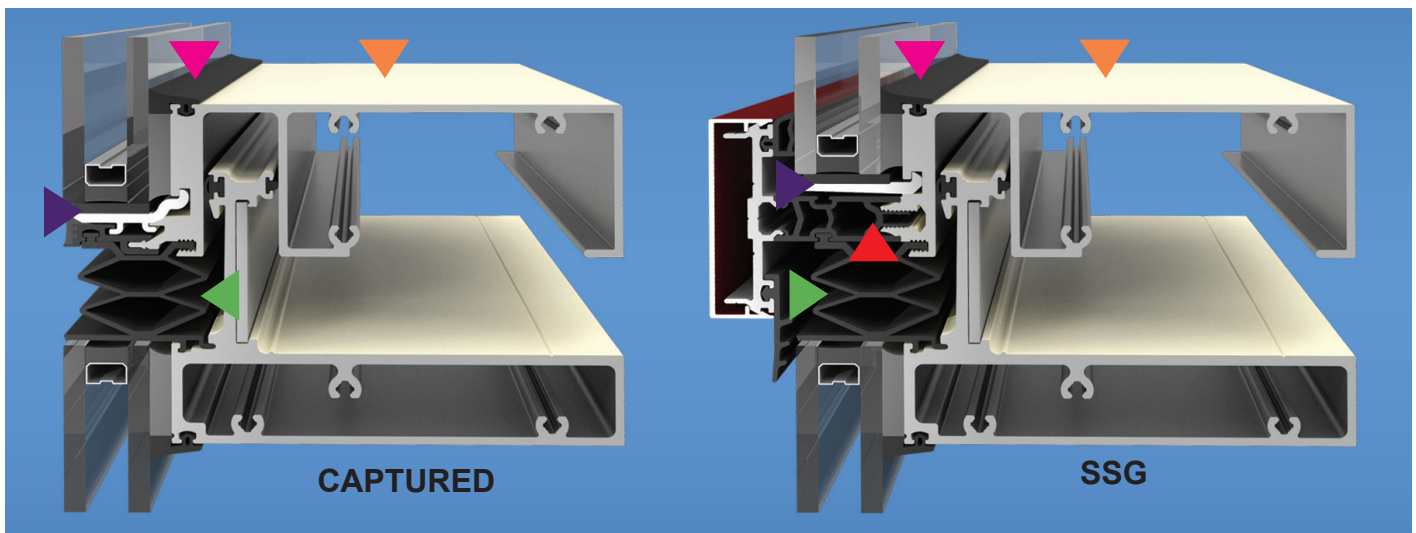
Mullion Depth Options
6", 7-1/2"
Frame Member Options
Anchors, 90-Deg Inside Corners and 90-Deg Outside Corners



## A Closer Look at our Unitized System

(Total vertical movement = ± 3/4")

- ▼ **DOUBLE DIAPHRAGM STACK GASKET** - Maximizes expansion/contraction creating insulating dead air chambers.
- ▼ **WARMER INTERIOR SURFACES** - Greater occupant comfort and increased resistance to condensation
- ▼ **INTEGRATED STRUCTURAL SUPPORT** - Carry deadload of the insulating glass
- ▼ **CAPTURED MEMBERS** - Polyamide thermal barrier provides 1-1/4" separation for high thermal performance
- ▼ **AVOID MASKING TAPE / CLEAN UP** - Gasket / spacer allows silicone application from exterior



Additional information including CAD details, CSI specs, test reports and installation instructions are found on the Product Guide by clicking this link or visiting [www.ykkap.com/commercial/productguide](http://www.ykkap.com/commercial/productguide)