

YKK ap[®]

www.ykkap.com



YCW 752 OGP

Outside Glazed Curtain Wall with a 2" Sightline and Polyamide Plates

The **YCW 752 OGP** is an outside glazed pressure wall system that offers a sightline of only 2" wide and utilizes a low conductivity pressure plate made from an industry proven material - Polyamide 6/6. The polyamide pressure plate is a superior alternative to competitive fiberglass products that require special handling and equipment during fabrication. This system reduces temperature transfer from the exterior to the interior creating more comfortable interior spaces.

- Variety of options including face covers, back members at different depths
- Dual finish capability for different exterior and interior colors
- Stick built with concealed fasteners
- Integrates with our low-profile entrances and sub-frames

Configuration:

| Glazing | Glass Setting | Installation |
|---------|---------------|--------------|
| Outside | Front Set | Shear Block |

Thermal Values:

| | |
|------------------|---|
| U-Factor: | Values as low as 0.30* |
| CRF: | Minimum 75 frame and 67 glass |

*Based on NFRC 100. Lower values may be achieved through further simulation.

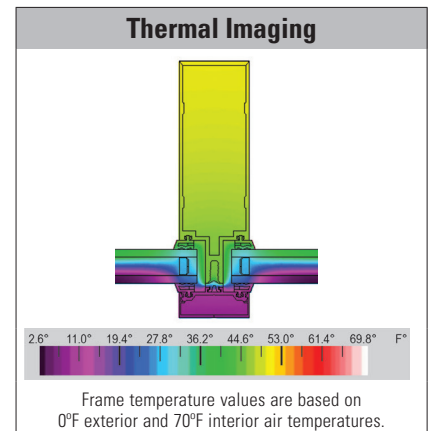


| YCW 752 OGP SPECS | | |
|------------------------|--|--------------------------|
| Base Depth | 7-1/2" | |
| Sightline | 2" | |
| Config | Outside Glazed / Front Set | |
| Tested Glass | 1" IGU with Low-E (C.O.G. U-Factor: 0.29) | |
| Test | Results | Standards |
| Air Infiltration | 0.06 CFM/FT ² (1.10 m ³ /h·m ²) @ 6.24 PSF (299 Pa) | ASTM E 283 |
| Water Infiltration | Static: 15 PSF (718 Pa) | ASTM E 331 AAMA 501 |
| Acoustical (1" IGU) | Not Tested | ASTM E 90 ASTM E 1425 |

| Thermal Performance | | | | | | | | |
|---------------------|---------------------------------------|------|------|------|------|------|-----------|-------|
| Mullion Depth | U-Factor - BTU/hr·ft ² ·°F | | | | | | CRF | |
| 2" x 7-1/2" | 0.39 | 0.37 | 0.35 | 0.34 | 0.32 | 0.30 | 75 | 67 |
| Center of Glass | 0.30 | 0.28 | 0.26 | 0.24 | 0.22 | 0.20 | Frame | Glass |
| AAMA 507 & NFRC 100 | | | | | | | AAMA 1503 | |

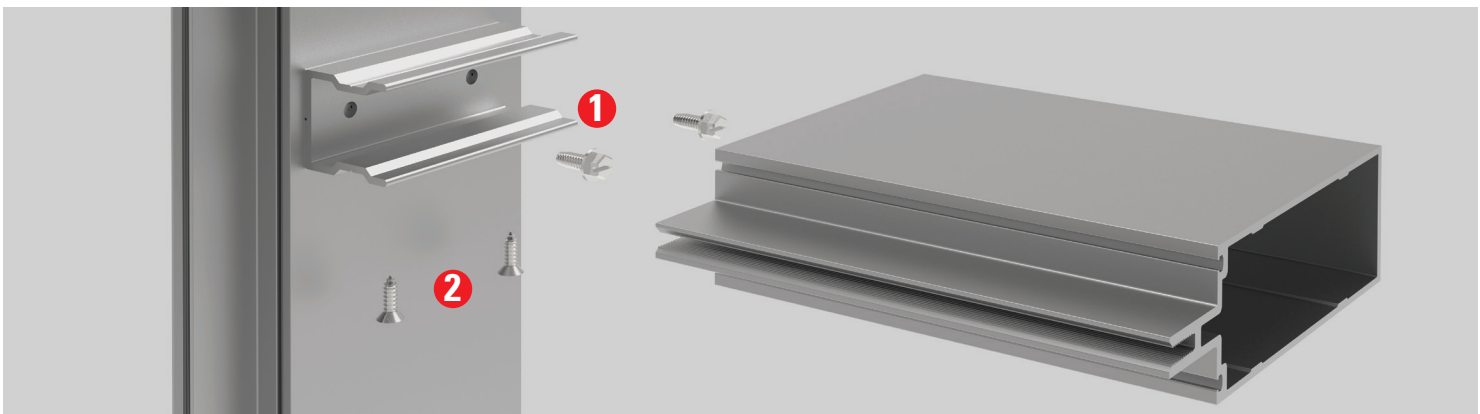
| Finish Options | |
|------------------|------------------------|
| Type | Standard |
| Factory Anodized | AAMA 612 |
| Organic Paints | AAMA 2604 AAMA 2605 |

| Mullion Depth Options | |
|-----------------------|--|
| with 1" Glass | |
| 5" or 7-1/2" | |



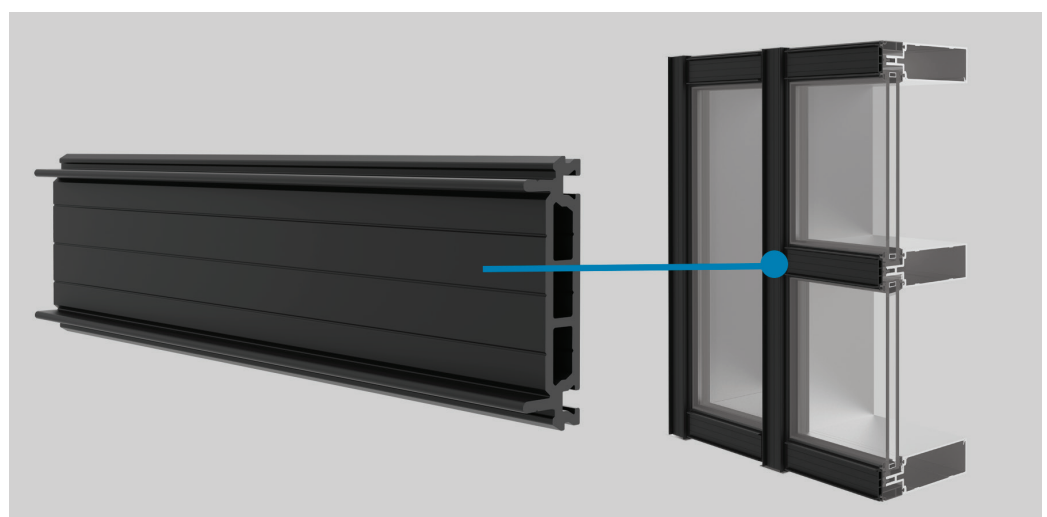
Shear Block Assembly

We have designed a shear block that integrates easily with this curtain wall system. **1** Measure or use our drill fixtures for the initial shear block holes. Apply and fasten the shear block to the Verticals and Jamb. **2** Then, drill and countersink holes above or below in the adjacent head, sill or horizontal mullions. You can now apply the fasteners to tighten and secure the mullions in place. More specifics are in our installation instructions.



Polyamide Plates

To help keep inside temperatures constant, YKK AP designed a low conductivity pressure plate to reduce heat transfer. These Polyamide 6/6 pressure plates are a superior option compared to handling alternative fiberglass products. Adding these pressure plates results in at least 20% better thermal performance versus the standard YCW 752 system.



Additional information including CAD details, CSI specs, test reports and installation instructions are found on the Product Guide by clicking this link or visiting www.ykkap.com/commercial/productguide