



www.ykkap.com



Viridian Condominiums - Nashville, TN

YWW 45 FI

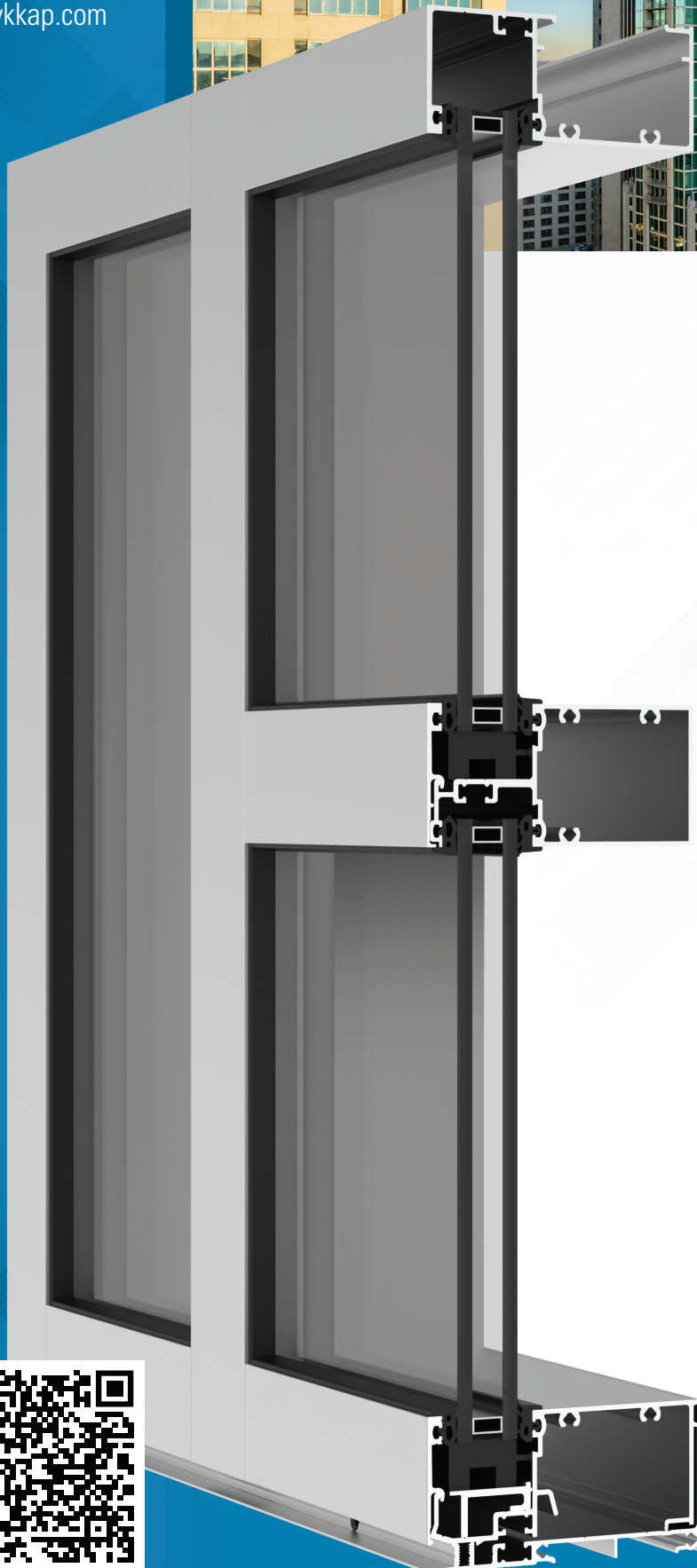
High Performance Window Wall System with Insulating Glass

The **YWW 45 FI** is designed specifically to meet the performance requirements of window walls for multi-story buildings. Glass is set to the front of the system to maximize thermal performance and maybe glazed from either the interior of the building for labor savings or from the exterior at column line applications. This system can be installed with head and sill members running continuously or with the head and sill members cut in between the vertical members. Sill flashing is only required when the head and sill members are cut in between the verticals.

- Optional SSG Intermediate Vertical
- 1" Glazing Standard with 1/4" Infill Option
- Strap & Roll-Over Anchors are available for Precast Conditions
- Integrates with our YKK AP Entrances

Configuration:

Glazing	Glass Setting	Installation
Outside or Inside	Front Set	Shear Block or Screw Spline

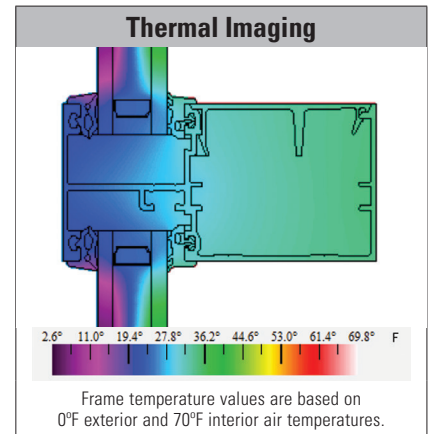


YWW 45 FI SPECS		
Base Depth	4-1/2"	
Sightline	2" Perimeter, 2-1/4" Intermediates	
Config	Outside, Inside or SSG Glazed / Front Set	
Tested Glass	1" IGU with Low-E (C.O.G. U-Factor: 0.29)	
Test	Results	Standards
Air Infiltration	0.06 CFM/FT ² (1.10 m ³ /h·m ²) @ 6.24 PSF (299 Pa)	ASTM E 283
Water Infiltration	Static: 12 PSF (575 Pa) Dynamic: 12 PSF (575 Pa)	ASTM E 331 AAMA 501

Thermal Performance	
U-Factor of 0.52 BTU/hr·ft ² ·°F @ 0.29 Center of Glass (C.O.G)	NFRC 102-2010

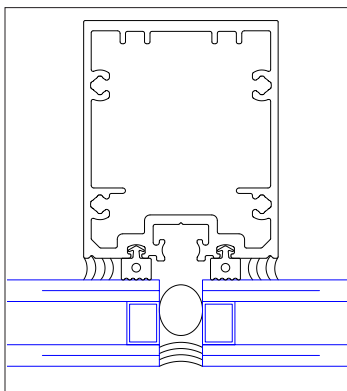
Finish Options	
Type	Standard
Factory Anodized	AAMA 612
Organic Paints	AAMA 2604 AAMA 2605

Various System Options
Continuous Head & Sill, Vertical Through, Shear Block or Screw Spline, Supports Monolithic or Insulating Glass

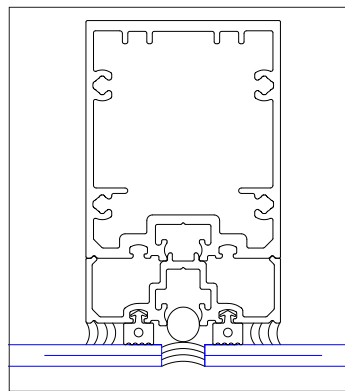


SSG Vertical Option

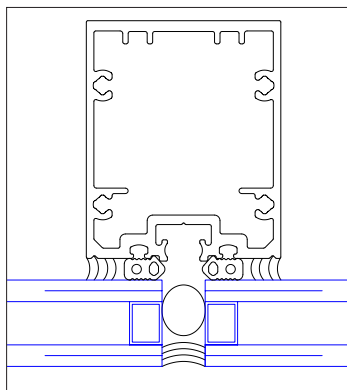
Not only can the system be inside or outside glazed, but the system also supports 2-sided Structural Silicone Glazing (SSG) for the vertical mullions.



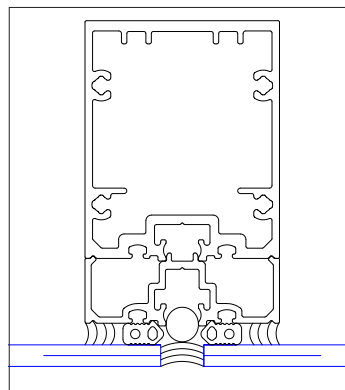
Outside Glazed SSG
with 1" Glass



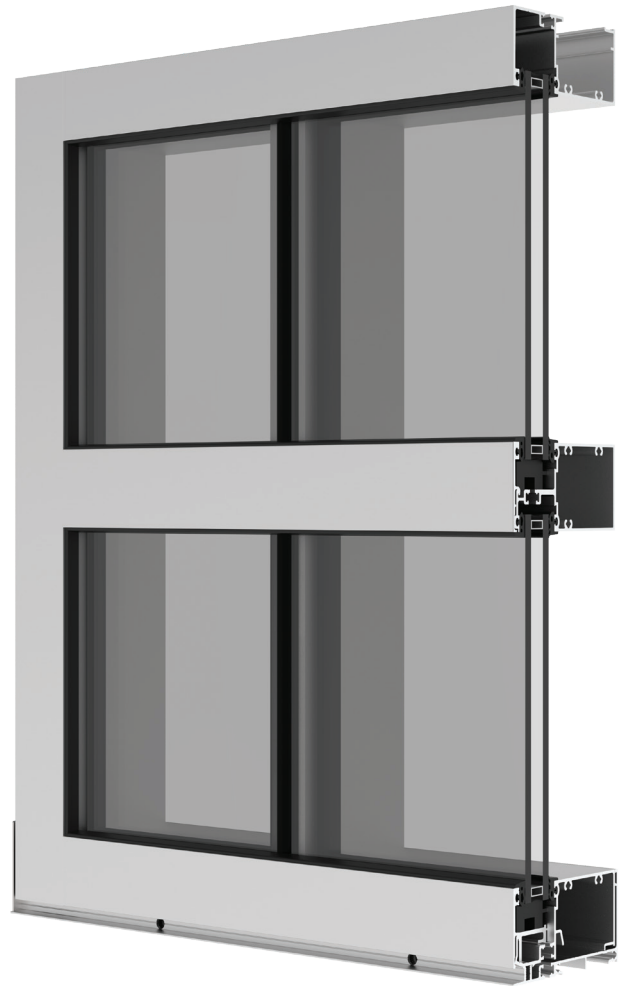
Outside Glazed SSG
with 1/4" Adaptor



Inside Glazed SSG
with 1" Glass



Inside Glazed SSG
with 1/4" Adaptor



Additional information including CAD details, CSI specs, test reports and installation instructions are found on the Product Guide by clicking this link or visiting www.ykkap.com/commercial/productguide