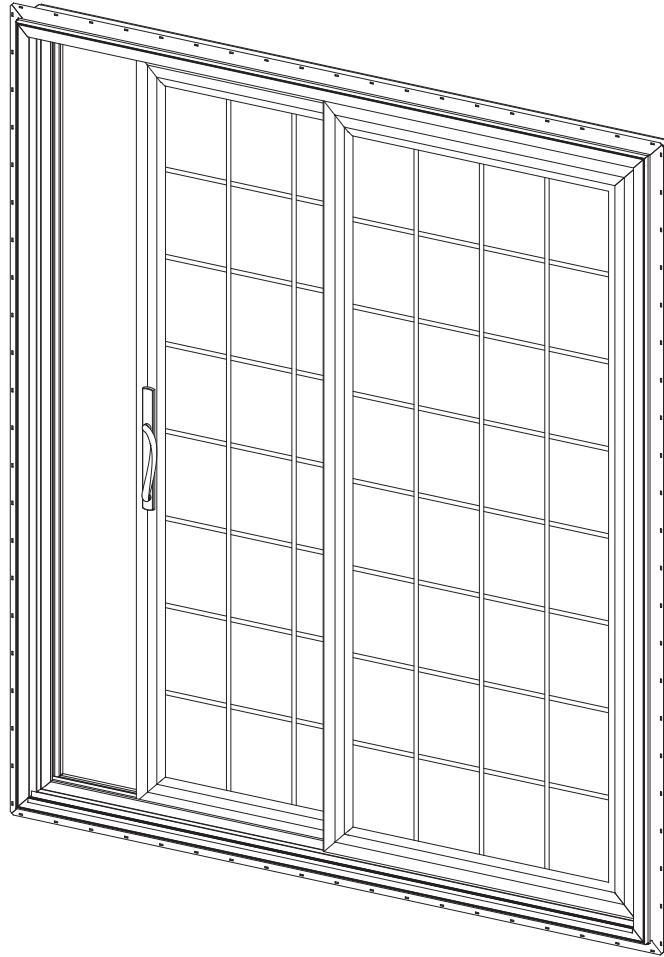


Installation Instructions



SYSTEM DESCRIPTION

- Applies to: **OX or XO only**
- 4-5/8" Overall Depth
- Integral Nail Fin
- 7/8" Insulating Glazing
- Optional Screens
- Grille options available
 - Simulated Divided Lines
 - Sculptured Grids Between Glass
 - Flat Grids Between Glass
- Available in White, Tan, and Adobe Colors



TABLE OF CONTENTS

Installation Notes Page ii & iii

Tools You'll Need Page iv

PREPARATION

Measure Rough Opening and Install Sill Flashing Pages 1 & 2

INSTALLATION

Install Window Pages 3 to 9


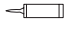





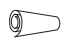




INSTALLATION NOTES

1. Do not drop, roll or drag boxes of vinyl sliding doors. Move and stack boxes with proper support to prevent distortion. If fork lifts are used, be especially careful about striking the boxes when lifting or moving.
2. Store in a dry, out of the way area. If rain exposure, condensation or any water contact is likely, then all packaging material should be removed. Wet packaging materials will discolor and may stain vinyl finishes.
3. All materials should be checked for quantity and quality upon receipt, YKK AP must be notified immediately of any discrepancies in shipment.
4. Check to make sure that you have the required shims, sealants, supplies, and tools necessary for the installation (not supplied by YKK AP).
5. Carefully check the openings and surrounding conditions that will receive your material. Remember, if the construction is not per the construction documents, it is your responsibility to notify the general contractor in writing. Any discrepancies must be brought to the general contractor's attention before you proceed with the installation.
6. Collect your shop drawings, materials, packing list, and this installation manual. Carefully review parts location, the sequence of installation, when you glaze it, and how you seal it. Installation instructions are of a general nature and may not cover every condition you will encounter. The shop drawings and/or installation manuals were prepared specifically for the product.
7. Any material substitutions must be of equal or greater quality.
8. Make certain that material samples have been sent for compatibility testing for all manufacturer's sealants involved. Make certain that sealants and backer rod have been installed in strict accordance with the manufacturer's recommendations and specifications.
9. System-to-structure fasteners are not supplied by YKK AP. Fasteners called out on shop drawings are to indicate minimum sizes for design loading.
10. If any questions arise concerning YKK AP products or their installation, contact YKK AP for clarification before proceeding.

INSTALLATION NOTES

11. YKK AP sliding door installation is typically completed before drywall, flooring and other products which may still be in process. Take the extra time to wrap and protect the work produced.
12. YKK AP StyleView sliding doors are pre-finished, prefabricated, preassembled, and preglazed products, and must be protected against damage.
13. Concrete, mortar, plaster, muriatic acid and other alkaline and acid based construction and cleaning materials may be very harmful to sliding door hardware and should be removed with water and mild soap immediately or permanent damage or staining of the finishes will occur. A spot test is recommended before any cleaning agent is used, and abrasive type cleaners must never be used.
14. Sliding doors are never to be used as ladders, step stools, scaffolds, or scaffold supports.
15. All sliding doors must be installed plumb, square, level and true, and in accordance with approved shop drawings and these installation instructions.
16. Do not use brick wash after sliding doors are installed. Doing so will void the sliding door warranty.
17. Sliding doors should never be stored in an area where temperatures will exceed 140° F. Doing so will void the sliding door warranty.
18. Sliding doors should never be painted. Doing so will void the sliding door warranty.
19. Buildings constructed prior to 1978 may contain lead paint which could be disturbed during replacement. For more information on proper management of lead paint, visit www.epa.gov/lead
20. The glass has been specified by shop drawings and YKK AP is not responsible for conformance with local building codes other than to provide the approved glass. It is the installers' responsibility to ensure final compliance of the glazing with all applicable codes.
21. Check our website, www.ykkap.com, for the latest installation manual update prior to commencing work.

TOOLS YOU'LL NEED

 <p>Tape measure</p>	 <p>Color-matched interior/exterior silicone window and trim sealant</p>
 <p>Level</p>	 <p>House wrap tape</p>
 <p>Power screwdriver and bits</p>	 <p>Felt paper flashing or equivalent (at least 6" wide)</p>
 <p>Galvanized roofing nails or #8 pan head corrosion-resistant screws (capable of penetrating at least 3/4" into the framing structure)</p>	 <p>Flashing (at least 6" wide)</p>
 <p>1/4" Shims</p>	 <p>Rubber mallet or hammer</p>
 <p>Caulk gun</p>	 <p>Remnant fiberglass insulation</p>

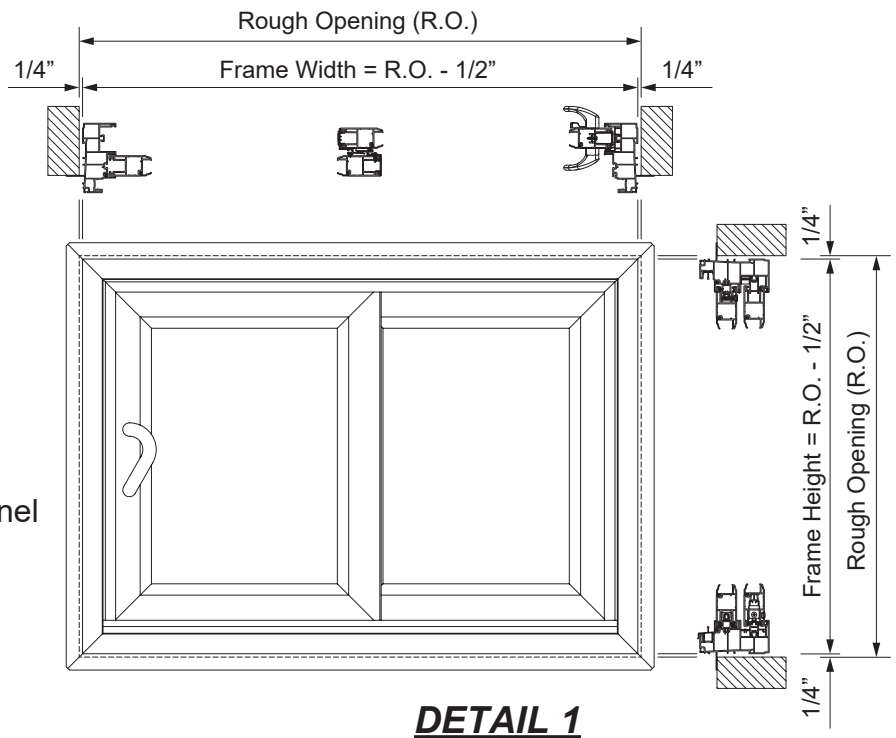
PREPARATION

STEP 1: Prepare the Opening

-Ensure the rough opening is 1/2" larger than the door to be installed and that the rough opening is plumb and square. Ensure the sill substrate is level. See **Detail 1**.

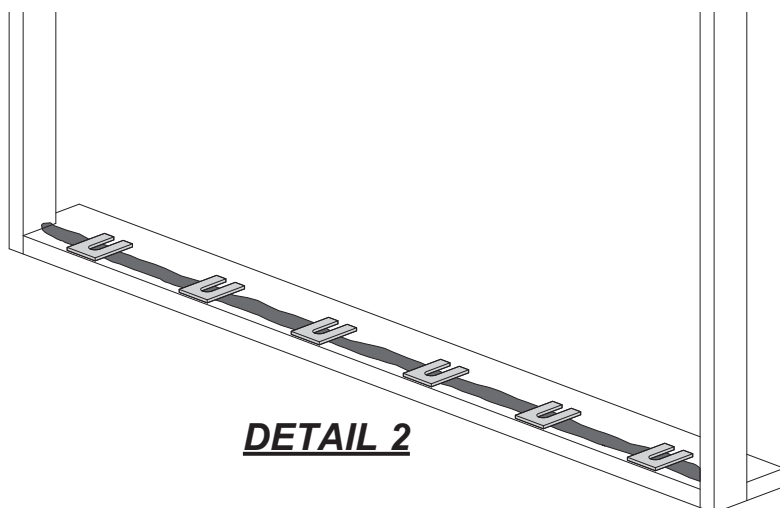
Note: The frame size of the door does not include any protruding nail fins.

-Close and lock the sliding panel to help keep the unit square.



For Wood Sill Substrate:

-Place shims at the sill on top of a bed of sealant as shown in **Detail 2**.



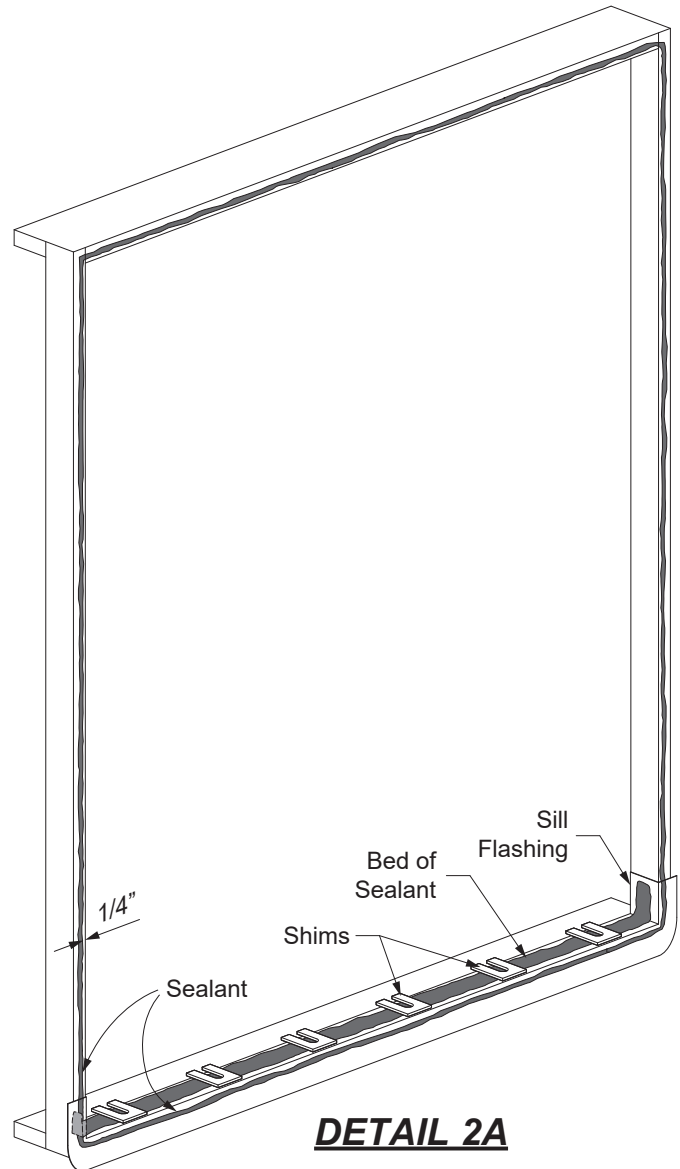
PREPARATION (Continued)

For Concrete Sill Substrate:

- Apply flashing to the sill.
 - Apply a continuous bead of silicone caulk to the perimeter of the rough opening where the nail fin will make contact (no more than 1/4" from the edge of the rough opening.)
 - Apply a bed of sealant on top of the sill flashing where the sliding door will be set upon.
 - Place 1/4" shims at either end and at every 12" maximum on center of the level sill plate.
- See **Detail 2A**.

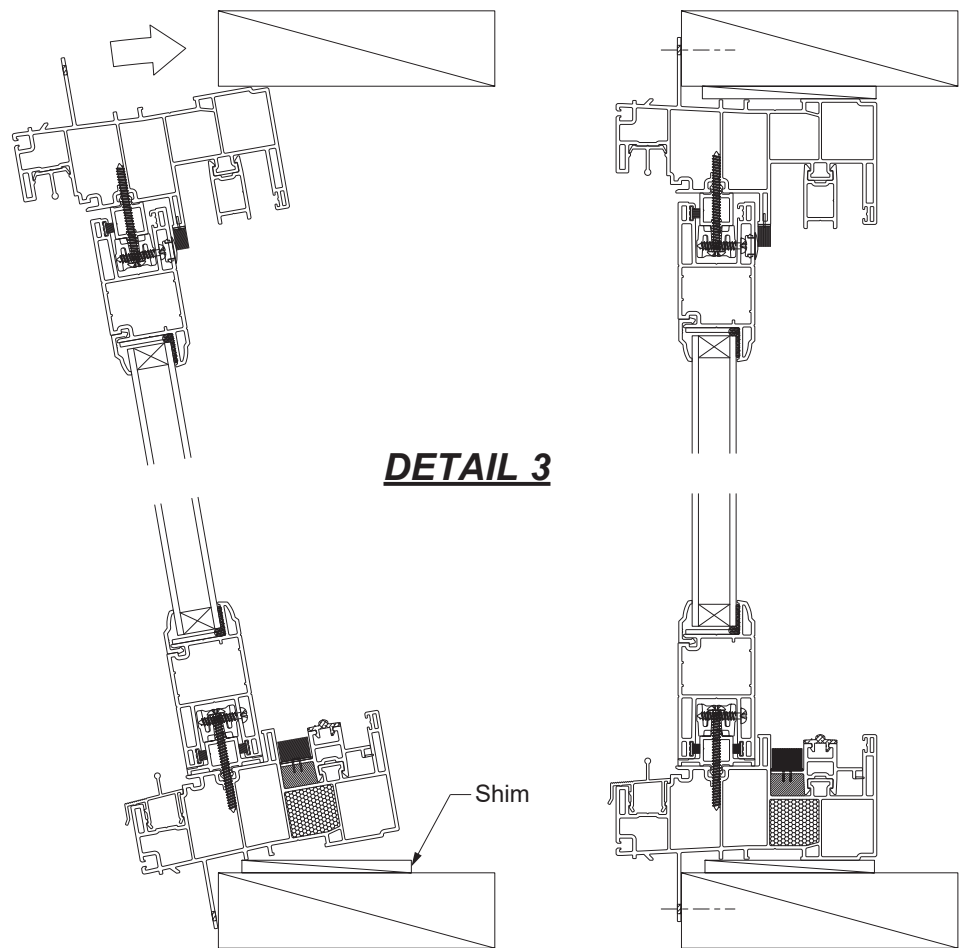
STEP 2: Install the Door

- Place the door in the rough opening from the exterior, and center the unit in the opening, leaving a 1/4" gap between the unit and the rough opening on all sides. See **Detail 3**.
- Secure the unit by loosely fastening through the center of one nail slot at the top of one of the jambs using a 7/16" head x 1-1/2" galvanized roofing nail or a #8 pan head corrosion resistant screw. (Other nails and staples are prohibited.)
- Ensure the frame is plumb and the jambs straight. Shim at the top, bottom, and midpoint to correct any deflection.



DETAIL 2A

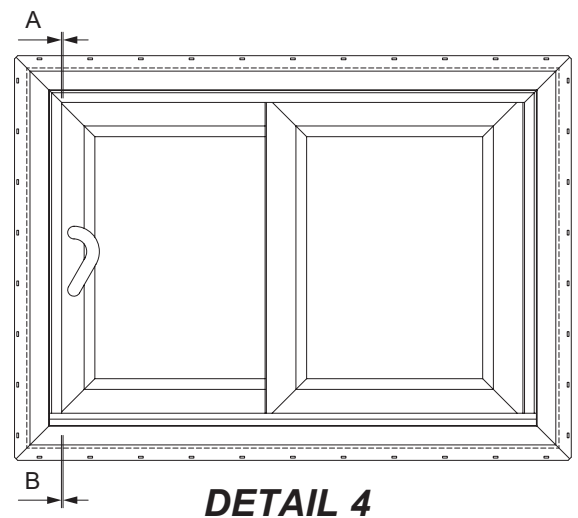
INSTALLATION



STEP 2: Install the Door

-Take diagonal measurements to ensure the unit is square. Opening the moving approximately 1/8" will provide visual confirmation of proper setting, that the reveal between the frame and sash (A & B) are equal the entire height. See **Detail 4**.

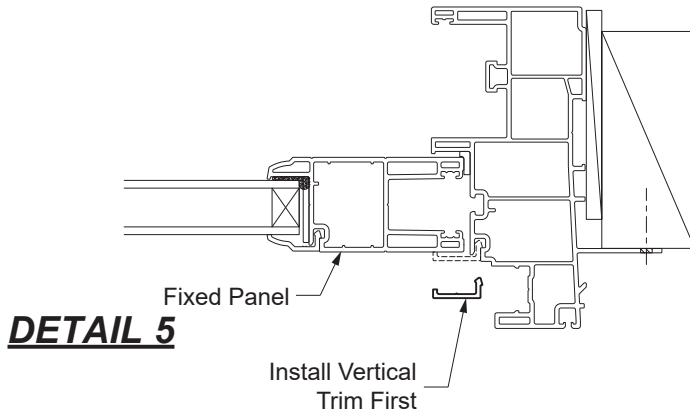
-Finish nailing the unit using every other nail slot, (use every nail slot for DP50 or greater.) Operate sliding door to confirm proper installation.



INSTALLATION

STEP 3: Install Fixed Panel Trim

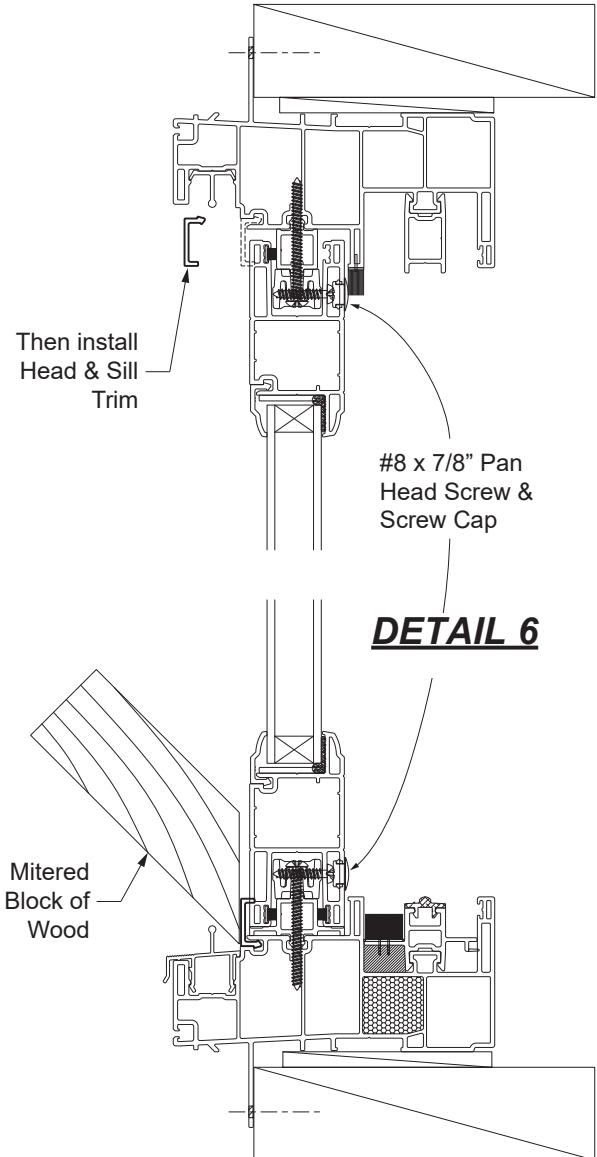
-Snap on the vertical fixed panel trim onto the jamb first using a mallet. See **Detail 5**.



-Then snap in the trim at the head and sill.

Notes: It may be helpful to use a mitered block of wood to aid in this step. **Detail 6**.

Once the fixed panel and the trim pieces are installed in the frame, attach the panel to the frame using #8 x 7/8" Pan Head Fasteners into the pre-punched holes to anchor the fixed panel in place. Then attach the screw caps into the screw holes of the panel to plug the holes.



Notes:

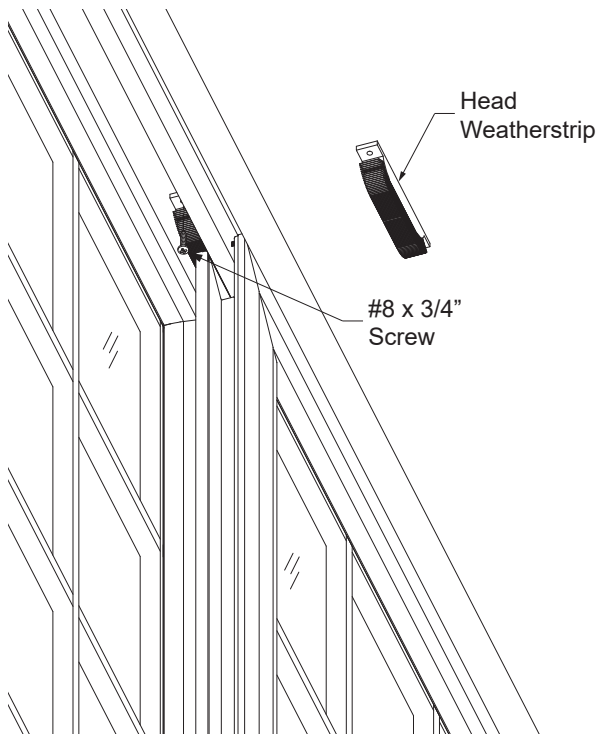
-Do not use expanding or spray-in foam products. If the installer used one of them, make sure jambs remain straight to ensure the operation of the door is not impeded.

-If using brick or stone exteriors, leave a 1/8" gap from the window to allow for brick and mortar expansion. Use a backer rod and silicone caulk to seal the gap.

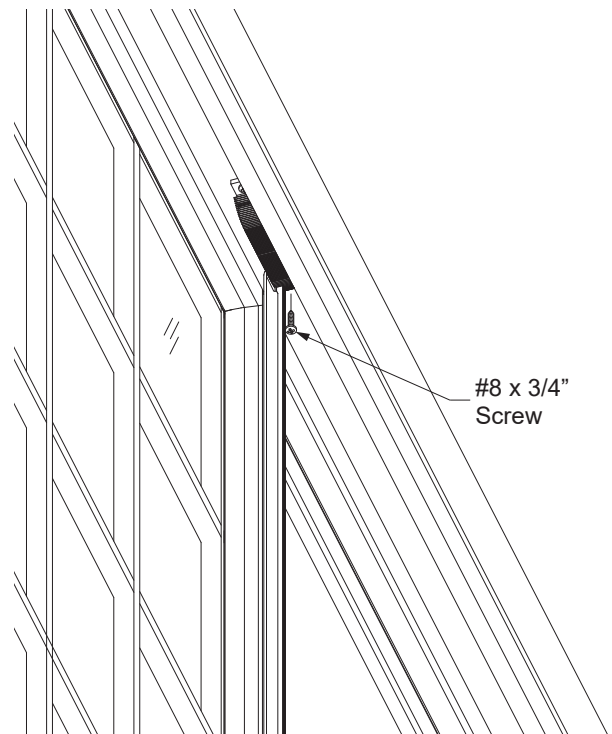
INSTALLATION

STEP 3: Install Head Weatherstrip

-Fully close the moving panel and insert the head weatherstrip into the cavity as shown in **Detail 7**. Fasten the exposed end with a #8 x 3/4" screw. Remove the moving panel from the frame and fasten the other end of the weatherstrip into the frame. Set the moving panel back into the frame.



DETAIL 7

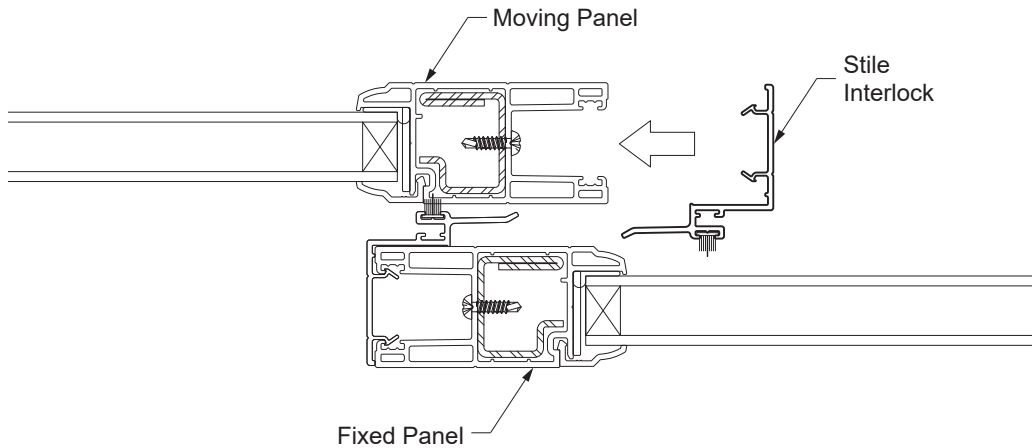


DETAIL 7A

INSTALLATION

STEP 3: Install Moving Stile Interlock

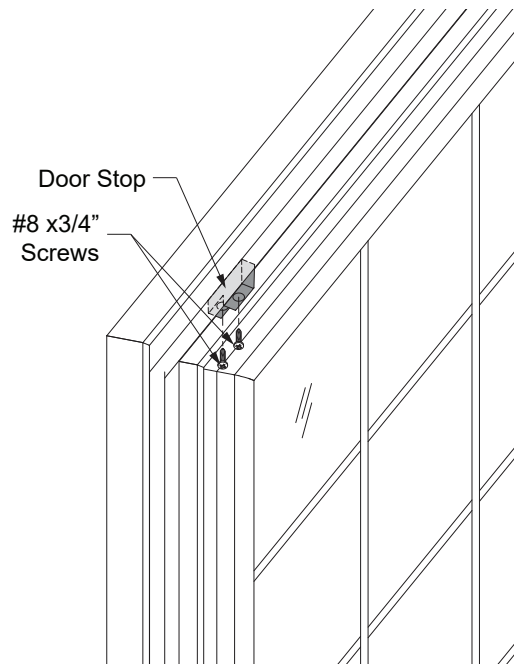
-Snap on the Stile Interlock onto the moving panel. See **Detail 8**.



DETAIL 8

STEP 3: Install Door Stop

-Locate the door stop 2" from the jamb and fasten it to the head with two #8 x 3/4" screws. Ensure the orientation as shown on **Detail 9**.

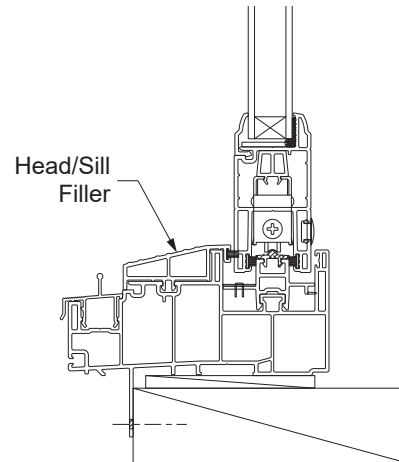
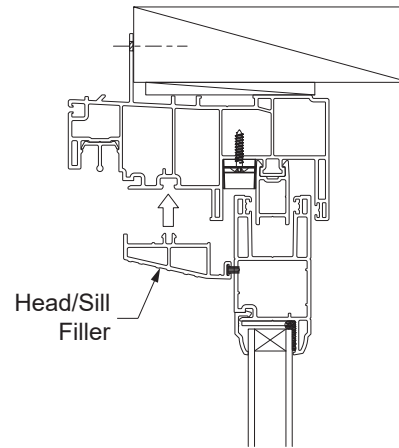


DETAIL 9

INSTALLATION

STEP 3: Install Head & Sill Filler

-Snap the head and sill filler into the frame in front of the moving panel as shown on **Detail 10**.



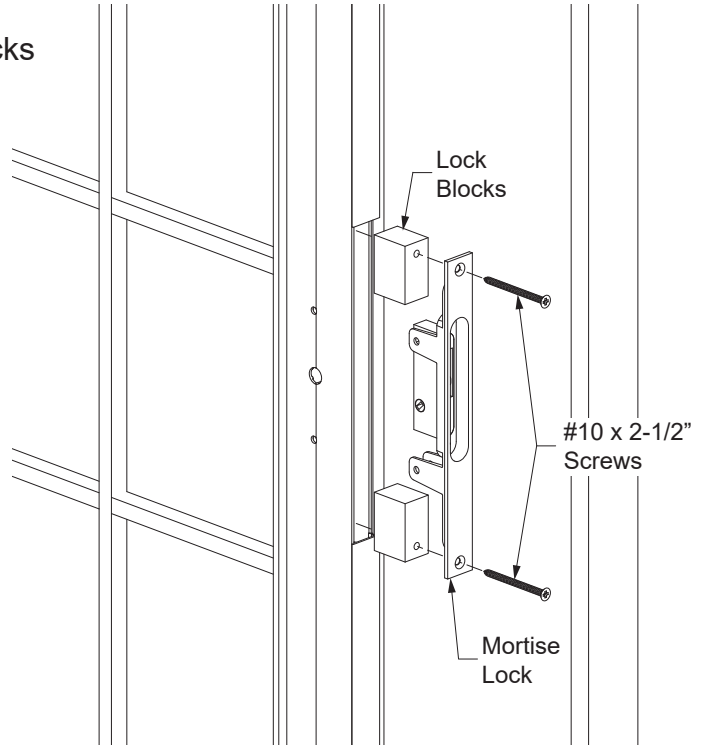
DETAIL 10

INSTALLATION

Install the Mortise Lock

-Install the mortise lock along with the lock blocks into the cutout on the moving panel in the orientation as shown using #10 x 2-1/2" Flat Head screws.

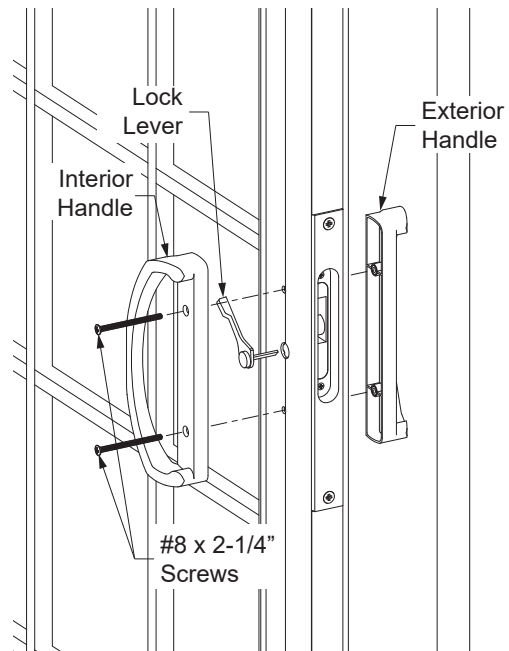
See **Detail 11**.



DETAIL 11

Install the Mortise Lock

-Install the door handles and lock lever into the moving panel as shown in **Detail 12**.



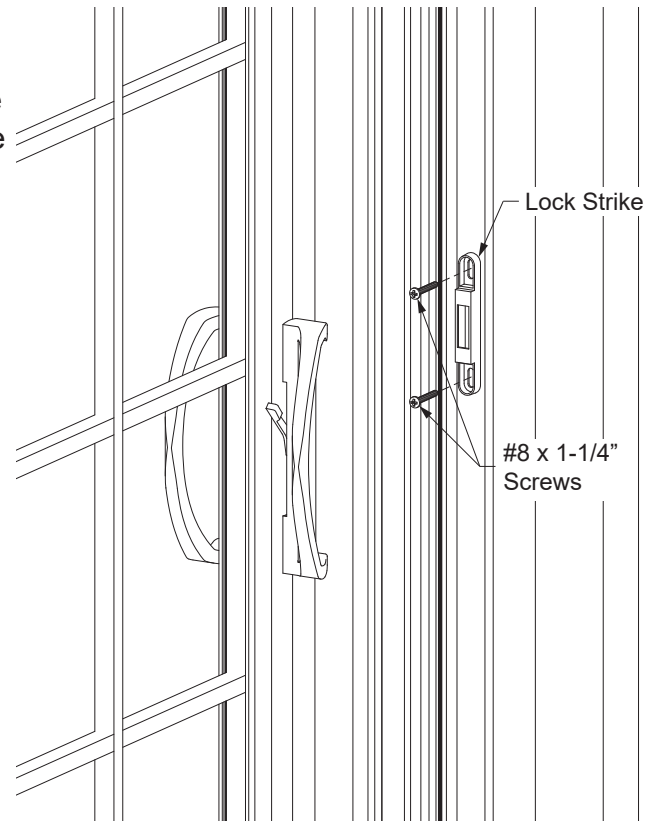
DETAIL 12

INSTALLATION

Install the Lock Strike

-Insert the strike into the mortise lock and measure from the sill to the bottom of the strike. This will be your reference location to install the strike at the lock jamb (with #8 x 1-1/4" screws).

See **Detail 13**.

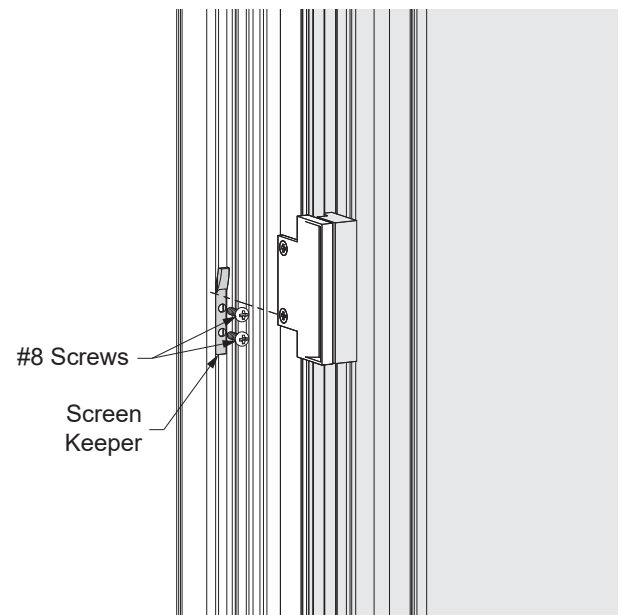


DETAIL 13

Install the Screen Keeper

-Align the inflection point of the screen keeper vertically with the bottom screw of the screen lock.
-Fasten the screen keeper with two #8 fasteners.

See **Detail 14**.



DETAIL 14

 YKK AP America Inc.

Headquarters

101 Marietta Street NW
Suite 2100
Atlanta, Georgia 30303

Residential Division

100 YKK AP Way
Macon, Georgia 31216

www.ykkap.com